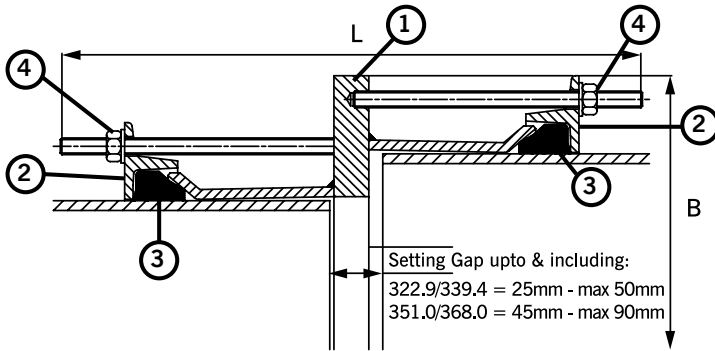


# MaxiStep Large Diameter Make Up Ring Stepped Couplings

Datasheet 1/2

## Make Up Ring Stepped Coupling



### Key

- 1 = Sleeve
- 2 = End Ring
- 3 = Gasket
- 4 = Stud, Nut & Washer

## MaxiStep Make Up Ring Stepped Couplings

OD Range				Gasket Mould		Studs		Dimensions		Weight ((kg))
Small End		Large End		Small End	Large End	Small End	Large End	Overall Diameter B (mm)	Overall Length L (mm)	
Min (mm)	Max (mm)	Min (mm)	Max (mm)							
315.0	332.0	351.0	368.0	8207/47	6002	8-M12 x 125	8-M12 x 205	478	326	39.3
315.0	332.0	367.0	384.0	8207/47	6097	8-M12 x 125	8-M12 x 190	494	316	45.6
315.0	332.0	374.5	391.5	8207/47	1659	8-M12 x 125	8-M12 x 205	502	335	47.3
315.0	332.0	404.8	421.8	8207/47	1767	8-M12 x 125	8-M12 x 205	532	335	53.1
315.0	332.0	418.2	435.2	8207/47	1784	8-M12 x 125	10-M12 x 205	545	337	58.6
322.9	339.4	374.5	391.5	1657	1659	8-M12 x 125	8-M12 x 205	502	331	46.7
351.0	368.0	367.0	384.0	6002	6097	8-M12 x 205	8-M12 x 205	494	410	43.7
351.0	368.0	374.5	391.5	6002	1659	8-M12 x 205	8-M12 x 205	502	410	44.9
351.0	368.0	394.3	411.3	6002	1766	8-M12 x 205	8-M12 x 205	522	410	48.1
351.0	368.0	527.0	544.0	6002	1773	8-M12 x 205	12-M12 x 205	654	423	96.0
367.0	384.0	374.5	391.5	6097	1659	8-M12 x 205	8-M12 x 205	502	410	44.2
374.5	391.5	412.0	429.0	1659	6023	8-M12 x 205	10-M12 x 205	539	410	54.0
374.5	391.5	425.0	442.0	1659	1662	8-M12 x 205	10-M12 x 205	552	411	56.6
394.3	411.3	404.8	421.8	1766	1767	8-M12 x 205	8-M12 x 205	532	410	47.1
394.3	411.3	425.0	442.0	1766	1662	8-M12 x 205	10-M12 x 205	552	410	50.8
394.3	411.3	447.2	464.2	1766	1769	8-M12 x 205	10-M12 x 205	574	415	59.6
404.8	421.8	434.5	451.5	1767	1768	8-M12 x 205	10-M12 x 205	562	420	51.9
404.8	421.8	439.0	456.0	1767	6036	8-M12 x 205	10-M12 x 205	566	415	56.9
404.8	421.8	447.2	464.2	1767	1769	8-M12 x 205	10-M12 x 205	574	415	58.6
404.8	421.8	467.0	484.0	1767	6073	8-M12 x 205	10-M12 x 205	594	415	62.8
412.0	429.0	425.0	442.0	6023	1662	10-M12 x 205	10-M12 x 205	552	410	50.0
418.2	435.2	434.5	451.5	1784	1768	10-M12 x 205	10-M12 x 205	562	411	51.3
418.2	435.2	455.0	472.0	1784	6003	10-M12 x 205	10-M12 x 205	582	415	59.4
425.0	442.0	476.0	493.0	1662	1770	10-M12 x 205	10-M12 x 205	603	411	63.2
425.0	442.0	487.0	504.0	1662	1771	10-M12 x 205	10-M12 x 205	615	411	65.7
425.0	442.0	527.0	544.0	1662	1773	10-M12 x 205	12-M12 x 205	654	392	81.6
425.0	442.0	555.3	572.3	1662	1775	10-M12 x 205	12-M12 x 205	683	421	92.3
425.0	442.0	565.0	582.0	1662	1776	10-M12 x 205	12-M12 x 205	692	422	95.9
439.0	456.0	527.0	544.0	6036	1773	10-M12 x 205	12-M12 x 205	654	419	78.7
447.2	464.2	476.0	493.0	1769	1770	10-M12 x 205	10-M12 x 205	603	410	56.7
447.2	464.2	487.0	504.3	1769	1771	10-M12 x 205	10-M12 x 205	615	415	63.7
447.2	464.4	455.0	472.0	1769	6003	10-M12 x 205	10-M12 x 205	582	411	52.9
476.0	493.0	527.0	544.0	1770	1773	10-M12 x 205	12-M12 x 205	654	415	69.7
492.0	509.0	555.3	572.3	6037	1775	10-M12 x 205	12-M12 x 205	683	416	76.1
501.9	518.9	540.1	557.1	1772	1774	10-M12 x 205	12-M12 x 205	667	411	69.7
527.0	544.0	598.0	615.0	1773	6130	12-M12 x 205	12-M12 x 205	725	413	83.9
527.0	544.0	601.0	618.0	1773	6020	12-M12 x 205	12-M12 x 205	728	417	85.2
527.0	544.0	630.0	647.0	1773	1778	12-M12 x 205	14-M12 x 205	757	422	101.0
527.0	544.0	645.2	662.2	1773	1779	12-M12 x 205	14-M12 x 205	772	423	108.0
527.0	544.0	675.0	692.0	1773	6005	12-M12 x 205	14-M12 x 205	802	412	122.0
565.0	582.0	582.2	599.2	1776	1777	12-M12 x 205	12-M12 x 205	709	401	67.0
565.0	582.0	601.0	618.0	1776	6020	12-M12 x 205	12-M12 x 205	728	415	76.5
566.5	583.5	601.0	618.0	1776	6020	12-M12 x 205	12-M12 x 205	728	415	76.5
582.2	599.2	601.0	618.0	1777	6020	12-M12 x 205	12-M12 x 205	728	410	69.1
582.2	599.2	630.0	647.0	1777	1778	12-M12 x 205	14-M12 x 205	757	421	83.2
598.0	615.0	630.0	647.0	6130	1778	14-M12 x 205	14-M12 x 205	757	411	80.0
601.0	618.0	630.0	647.0	6020	1778	14-M12 x 205	14-M12 x 205	757	411	79.5
601.0	618.0	675.0	692.0	6020	6005	14-M12 x 205	14-M12 x 205	802	419	99.0
630.0	647.0	689.0	706.0	1778	10511/49	14-M12 x 205	14-M12 x 205	816	418	94.9
630.0	647.0	710.0	727.0	1778	6075	14-M12 x 205	14-M12 x 205	837	420	106.0

Every effort has been made to ensure that the information contained in this publication is accurate at the time of publishing. Crane Ltd assumes no responsibility or liability for typographical errors or omissions or for any misinterpretation of the information within the publication and reserves the right to change without notice.

DR10998\_01\_10\_2024\_ISSUE 8

# MaxiStep Large Diameter Make Up Ring Stepped Couplings

Datasheet

2/2

## Technical Information

### Working Pressure Rating

Water 16 bar

Gas 6 bar

### Vacuum Pressure

Capable of accommodating a vacuum pressure of -0.7 bar

### Site Test Pressure

1.5 times working pressure for short duration (2 hours)

### Angularity

Stepped Couplings 6°

The above are for when the product is on maximum pipe outside diameters; can achieve larger ones with smaller pipe diameters.

### Bolt Torque/Spanner

M12; Torque 55-65Nm on every bolt

Spanner size A/F 19mm

### Temperature Rating of Product

EPDM -20°C to +90°C

Nitrile -20°C to +90°C

For use on applications with fluctuating and / or elevated temperatures (> 60°C) may require regular maintenance to re-tighten the bolts and must be included in any maintenance schedule.

### End Load Due to Internal Pressure

MaxiFit DOES NOT resist end load due to the internal pressure - adequate external restraint must be provided to prevent pipe pull out.

### Approvals

The following water contact materials used in MaxiFit are approved for use with potable water:-

Rilsan Nylon 11:

➤ WRAS, DVGW, W270, ACS & KIWA

EPDM Gaskets:

➤ WRAS

In addition to the above, MaxiFit range as a finished product has KIWA certification verifying that the above products comply with the requirements of the Water Supply (Water Fittings) Regulations for England and Wales 1999, the Water Byelaws 2000, Scotland and the Water Regulations Northern Ireland.

## Materials & Relevant Standards

### Make Up Ring Sleeve

Mild Steel to BS EN 10025-2 Grade S275

Rolled Steel to BS EN 10025-2 Grade S275

### End Ring

Rolled Steel to BS EN 10025-2 Grade S275

### Gasket

EPDM Grade "E" to BS EN 681-1 Type WA WRAS Listed

Nitrile compound to Grade G BS EN 682, Type G

### Coating

Sleeve & End Ring:

➤ Rilsan Nylon 11 to WIS 4-52-01 Part 1

Bolts & Nuts:

➤ Sheraplex to WIS 4-52-03

### Bolts

Standard - Steel to BS EN ISO 898-1 Property Class 4.8

Option - Stainless Steel to BS EN ISO 3506-1: grade A4 property class 50

### Nuts

Standard - Steel to BS EN 4190 Grade 4

Option - Stainless Steel to BS EN ISO 3506-2: grade A4 property class 80

### Washers

Stainless Steel to BS 1449:Part 2 Grade 304 S15