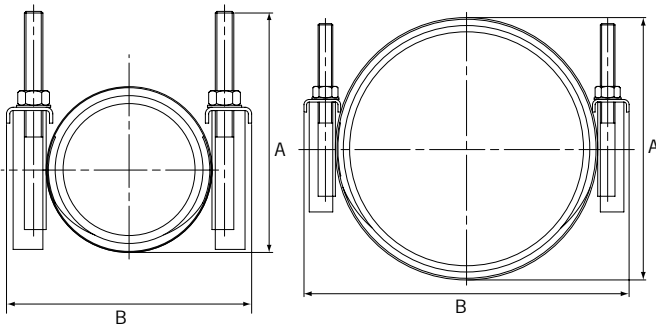


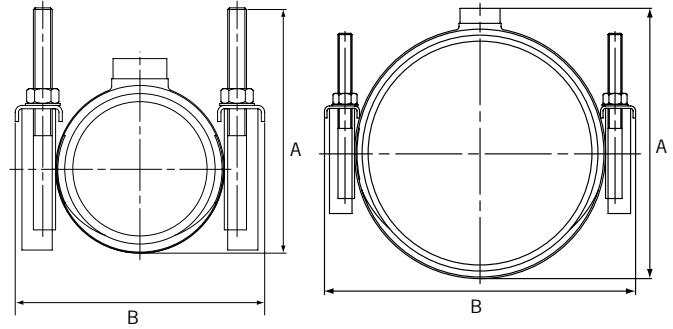
# HandiClamp & HandiTap Double Band

Datasheet 1/2

## HandiClamp Double Band



## HandiTap Double Band



## HandiClamp & HandiTap Double Band

OD Range (mm)	A (mm)	B (mm)	Max Outlet Size*	Working Pressure (bar)**		Clamp Length***							
						200 (mm)		250 (mm)		300 (mm)		400 (mm)	
						Bolt Details		Bolt Details		Bolt Details		Bolt Details	
						No.-Dia x Length	Weight (kg)	No.-Dia x Length	Weight (kg)	No.-Dia x Length	Weight (kg)	No.-Dia x Length	Weight (kg)
88 - 110	163	122	1.0" BSP	20.0	4.0	4-M12 x 135	2.50	6-M12 x 135	3.76	6-M12 x 135	4.14	8-M12 x 135	5.69
108 - 128	173	142	1.5" BSP	20.0	4.0	4-M12 x 135	2.67	6-M12 x 135	3.97	6-M12 x 135	4.40	8-M12 x 135	6.03
113 - 133	176	147	1.5" BSP	20.0	4.0	4-M14 x 135	2.77	6-M14 x 135	4.09	6-M14 x 135	4.54	8-M14 x 135	6.22
120 - 140	179	154	1.5" BSP	12.0	3.0	4-M14 x 135	2.81	6-M14 x 135	4.15	6-M14 x 135	4.61	8-M14 x 135	6.31
130 - 150	184	164	1.5" BSP	12.0	3.0	4-M14 x 135	2.88	6-M14 x 135	4.24	6-M14 x 135	4.72	8-M14 x 135	6.46
140 - 160	189	173	2.0" BSP	12.0	3.0	4-M14 x 135	2.95	6-M14 x 135	4.33	6-M14 x 135	4.82	8-M14 x 135	6.59
150 - 170	194	184	2.0" BSP	12.0	3.0	4-M14 x 135	3.07	6-M14 x 135	4.47	6-M14 x 135	4.99	8-M14 x 135	6.82
159 - 180	199	192	2.0" BSP	12.0	3.0	4-M14 x 135	3.13	6-M14 x 135	4.55	6-M14 x 135	5.09	8-M14 x 135	6.95
168 - 189	203	201	2.0" BSP	12.0	3.0	4-M14 x 135	3.19	6-M14 x 135	4.63	6-M14 x 135	5.18	8-M14 x 135	7.07
170 - 190	204	204	2.0" BSP	12.0	3.0	4-M14 x 135	3.21	6-M14 x 135	4.65	6-M14 x 135	5.21	8-M14 x 135	7.11
175 - 195	207	208	2.0" BSP	12.0	3.0	4-M14 x 135	3.24	6-M14 x 135	4.69	6-M14 x 135	5.26	8-M14 x 135	7.17
190 - 210	214	224	2.0" BSP	12.0	3.0	4-M14 x 135	3.35	6-M14 x 135	4.82	6-M14 x 135	5.42	8-M14 x 135	7.39
205 - 225	222	239	2.0" BSP	12.0	3.0	4-M14 x 135	3.67	6-M14 x 135	5.22	6-M14 x 135	5.90	8-M14 x 135	8.03
210 - 230	224	243	2.0" BSP	12.0	3.0	4-M14 x 135	3.71	6-M14 x 135	5.27	6-M14 x 135	5.95	8-M14 x 135	8.10
216 - 238	227	250	2.0" BSP	12.0	3.0	4-M14 x 135	3.76	6-M14 x 135	5.33	6-M14 x 135	6.03	8-M14 x 135	8.20
220 - 242	229	254	2.0" BSP	10.0	2.5	4-M14 x 135	3.79	6-M14 x 135	5.37	6-M14 x 135	6.08	8-M14 x 135	8.27
240 - 260	248	273	2.0" BSP	10.0	2.5	4-M14 x 135	3.95	6-M14 x 135	5.57	6-M14 x 135	6.32	8-M14 x 135	8.59
243 - 263	252	277	2.0" BSP	10.0	2.5	4-M14 x 135	3.98	6-M14 x 135	5.60	6-M14 x 135	6.36	8-M14 x 135	8.64
255 - 275	264	289	2.0" BSP	10.0	2.5	4-M14 x 135	4.07	6-M14 x 135	5.73	6-M14 x 135	6.65	8-M14 x 135	8.83
272 - 292	280	306	2.0" BSP	10.0	2.5	4-M14 x 135	4.21	6-M14 x 135	5.90	6-M14 x 135	6.71	8-M14 x 135	9.11
282 - 302	290	315	2.0" BSP	6.0	1.5	4-M14 x 135	4.29	6-M14 x 135	6.00	6-M14 x 135	6.83	8-M14 x 135	9.27
295 - 315	304	329	2.0" BSP	6.0	1.5	4-M14 x 135	4.40	6-M14 x 135	6.13	6-M14 x 135	6.99	8-M14 x 135	9.48
307 - 327	316	341	2.0" BSP	6.0	1.5	4-M14 x 135	4.50	6-M14 x 135	6.25	6-M14 x 135	7.14	8-M14 x 135	9.68
315 - 335	323	348	2.0" BSP	6.0	1.5	4-M14 x 135	4.56	6-M14 x 135	6.33	6-M14 x 135	7.23	8-M14 x 135	9.80
319 - 339	328	353	2.0" BSP	6.0	1.5	4-M14 x 135	4.59	6-M14 x 135	6.38	6-M14 x 135	7.28	8-M14 x 135	9.88
322 - 344	330	355	2.0" BSP	6.0	1.5	4-M14 x 135	4.62	6-M14 x 135	6.40	6-M14 x 135	7.32	8-M14 x 135	9.92
333 - 353	342	367	2.0" BSP	6.0	1.5			6-M14 x 135	6.52	6-M14 x 135	7.45	8-M14 x 135	10.10
341 - 361	350	375	2.0" BSP	6.0	1.5			6-M14 x 135	6.60	6-M14 x 135	7.55	8-M14 x 135	10.23
365 - 385	374	399	2.0" BSP	5.0	1.25			6-M14 x 135	6.84	6-M14 x 135	7.84	8-M14 x 135	10.62
396 - 416	405	430	2.0" BSP	5.0	1.25			6-M14 x 135	7.16	6-M14 x 135	8.22	8-M14 x 135	11.13
410 - 430	419	444	2.0" BSP	4.9	1.22			6-M14 x 135	7.30	6-M14 x 135	8.39	8-M14 x 135	11.35

\*This is the maximum size BSP outlet offered. Smaller outlets are available: 0.75", 1.0", 1.25", 1.5", 1.75", 2.0". \*\*The rated working pressures quoted above for water applications are based on worst case scenarios including circumferential cracks. When used to repair pipelines with less severe damage and dependant on the pipe surface, higher working pressures may be achieved. \*\*\*When using HandiRange products on PE pipe, consideration to clamp length must be given, please contact the Viking Johnson Marketing Department for more details.

Every effort has been made to ensure that the information contained in this publication is accurate at the time of publishing. Crane Ltd assumes no responsibility or liability for typographical errors or omissions or for any misinterpretation of the information within the publication and reserves the right to change without notice.

# HandiClamp & HandiTap Double Band

Datasheet

2/2

## Technical Information

### Working Pressure Rating

- ▶ Water = In accordance the rating as defined in the tables
- ▶ Gas = In accordance the rating as defined in the tables

### Vacuum Pressure

Capable of accommodating a vacuum pressure of -0.7 bar.

### Site Test Pressure

1.5 times working pressure for short duration (2 hours)

### Angularity

HandiClamp & HandiTap fittings are not able to accommodate any angularity.

### Bolt Torque/Spanner

- ▶ M12; Torque = 55-65Nm on every bolt
- ▶ M14; Torque = 70-80 Nm on every bolt
- ▶ M16; Torque = 95-110Nm on every bolt

### Temperature Rating of Product

- ▶ EPDM = -20°C to +40°C
- ▶ Nitrile = 20°C to +40°C

**Note:** HandiClamp & HandiTap are not suitable for use on heating systems with fluctuating temperatures

### End Load Due to Internal Pressure

HandiClamp & HandiTap fittings DO NOT resist end load due to the internal pressure - adequate external restraint must be provided to prevent pipe pull out from the clamp.

### Approvals

The following water contact materials used in HandiClamp are approved for use with potable water:-

EPDM Gaskets:

- ▶ WRAS

In addition to the above, HandiClamp & HandiTap range as a finished product has KIWA certification verifying that the above products comply with the requirements of the Water Supply (Water Fittings) Regulations for England and Wales 1999, the Water Byelaws 2000, Scotland and the Water Regulations Northern Ireland.

## Materials & Relevant Standards

### Body & Plates

Shell, channel plate, bridging plate, lug plate & nut plate  
Stainless Steel to BS1449:Part 2 GRADE 304S15

### Gasket

- ▶ EPDM to BS EN681-1, TYPE WA, WC 60 IRHD
- ▶ Nitrile to BS EN682, Type G 60 IRHD

### Studs

Stainless Steel to BS EN ISO3506-1  
GRADE A2 Property Class 50

### Nuts

Stainless Steel to BS EN ISO 3506-2  
GRADE A4 Property Class 80

### Washers

Stainless Steel BS1449:PART 2 GRADE 304S15