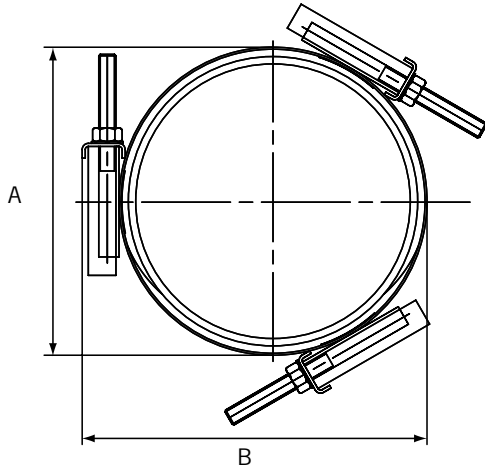


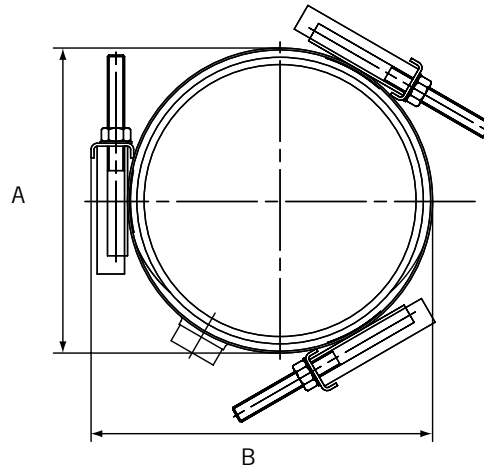
HandiClamp & HandiTap Triple Band

Datasheet 1/2

HandiClamp Triple Band



HandiTap Triple Band



HandiClamp & HandiTap Triple Band

OD Range (mm)	A (mm)	B (mm)	Max Outlet Size*	Working** pressure (bar)		Clamp Length***							
						300 (mm)		400 (mm)		500 (mm)		600 (mm)	
						Bolt Details		Bolt Details		Bolt Details		Bolt Details	
						BSP	Water	Gas	No.-Dia x Length	Weight (kg)	No.-Dia x Length	Weight (kg)	No.-Dia x Length
270 - 300	279	303	2.0" BSP	7.4	1.9	9-M14 x 135	9.23	12-M14 x 135	12.34	15-M14 x 135	15.58	18 - M14 x 135	17.95
310 - 340	319	344	2.0" BSP	6.5	1.6	9-M14 x 135	9.72	12-M14 x 135	12.99	15-M14 x 135	16.40	18 - M14 x 135	18.93
335 - 365	344	369	2.0" BSP	6.0	1.5	9-M14 x 135	10.02	12-M14 x 135	13.39	15-M14 x 135	16.90	18 - M14 x 135	19.53
340 - 370	349	374	2.0" BSP	6.0	1.5	9-M14 x 135	10.08	12-M14 x 135	13.47	15-M14 x 135	17.00	18 - M14 x 135	19.65
360 - 390	369	394	2.0" BSP	5.6	1.4	9-M14 x 135	10.33	12-M14 x 135	13.79	15-M14 x 135	17.40	18 - M14 x 135	20.14
385 - 415	393	418	2.0" BSP	5.2	1.3	9-M14 x 135	10.63	12-M14 x 135	14.19	15-M14 x 135	17.91	18 - M14 x 135	20.74
395 - 425	404	429	2.0" BSP	5.1	1.3	9-M14 x 135	10.75	12-M14 x 135	14.36	15-M14 x 135	18.12	18 - M14 x 135	21.00
410 - 440	418	443	2.0" BSP	4.9	1.2	9-M14 x 135	10.93	12-M14 x 135	14.60	15-M14 x 135	18.41	18 - M14 x 135	21.35
420 - 450	429	454	2.0" BSP	4.8	1.2	9-M14 x 135	11.06	12-M14 x 135	14.77	15-M14 x 135	18.62	18 - M14 x 135	21.60
435 - 465	444	469	2.0" BSP	4.6	1.1	9-M14 x 135	11.24	12-M14 x 135	15.01	15-M14 x 135	18.93	18 - M14 x 135	21.97
440 - 470	449	474	2.0" BSP	4.5	1.1	9-M14 x 135	11.30	12-M14 x 135	15.09	15-M14 x 135	19.03	18 - M14 x 135	22.09
450 - 480	458	483	2.0" BSP	4.4	1.1	9-M14 x 135	11.42	12-M14 x 135	15.25	15-M14 x 135	19.22	18 - M14 x 135	22.32
475 - 505	483	508	2.0" BSP	4.2	1.1	9-M16 x 135	13.89	12-M16 x 135	18.55	15-M16 x 135	23.35	18 - M16 x 135	27.27
485 - 515	494	519	2.0" BSP	4.1	1.0	9-M16 x 135	14.06	12-M16 x 135	18.77	15-M16 x 135	23.62	18 - M16 x 135	27.60
505 - 535	514	539	2.0" BSP	4.0	1.0	9-M16 x 135	14.38	12-M16 x 135	19.19	15-M16 x 135	24.15	18 - M16 x 135	28.24
510 - 540	519	544	2.0" BSP	3.9	1.0	9-M16 x 135	14.45	12-M16 x 135	19.29	15-M16 x 135	24.28	18 - M16 x 135	28.39
520 - 550	529	554	2.0" BSP	3.8	1.0	9-M16 x 135	14.62	12-M16 x 135	19.51	15-M16 x 135	24.56	18 - M16 x 135	28.72
530 - 560	539	564	2.0" BSP	3.8	0.9	9-M16 x 135	14.77	12-M16 x 135	19.72	15-M16 x 135	24.81	18 - M16 x 135	29.02
535 - 565	543	568	2.0" BSP	3.7	0.9	9-M16 x 135	14.84	12-M16 x 135	19.82	15-M16 x 135	24.94	18 - M16 x 135	29.18
560 - 590	568	593	2.0" BSP	3.6	0.9	9-M16 x 135	15.24	12-M16 x 135	20.34	15-M16 x 135	25.59	18 - M16 x 135	29.96
570 - 600	579	604	2.0" BSP	3.5	0.9	9-M16 x 135	15.40	12-M16 x 135	20.56	15-M16 x 135	25.87	18 - M16 x 135	30.30
585 - 615	594	619	2.0" BSP	3.4	0.9	9-M16 x 135	15.65	12-M16 x 135	20.89	15-M16 x 135	26.27	18 - M16 x 135	30.78
610 - 640	619	644	2.0" BSP	3.3	0.8	9-M16 x 135	16.04	12-M16 x 135	21.41	15-M16 x 135	26.93	18 - M16 x 135	31.57
640 - 670	648	673	2.0" BSP	3.1	0.8	9-M16 x 135	16.51	12-M16 x 135	22.03	15-M16 x 135	27.71	18 - M16 x 135	32.50
670 - 700	679	704	2.0" BSP	3.0	0.7	9-M16 x 135	16.99	12-M16 x 135	22.68	15-M16 x 135	28.51	18 - M16 x 135	33.47
680 - 710	689	714	2.0" BSP	2.9	0.7	9-M16 x 135	17.14	12-M16 x 135	22.88	15-M16 x 135	28.77	18 - M16 x 135	33.77

*This is the maximum size BSP outlet offered. Smaller outlets are available: 0.75", 1.0", 1.25", 1.5", 1.75", 2.0". **The rated working pressures quoted above for water applications are based on worst case scenarios including circumferential cracks. When used to repair pipelines with less severe damage and dependant on the pipe surface, higher working pressures may be achieved. ***When using HandiRange products on PE pipe, consideration to clamp length must be given, please contact the Viking Johnson Marketing Department for more details.

Every effort has been made to ensure that the information contained in this publication is accurate at the time of publishing. Crane Ltd assumes no responsibility or liability for typographical errors or omissions or for any misinterpretation of the information within the publication and reserves the right to change without notice.

HandiClamp & HandiTap Triple Band

Datasheet

2/2

Technical Information

Working Pressure Rating

- ▶ Water = In accordance the rating as defined in the tables
- ▶ Gas = In accordance the rating as defined in the tables

Vacuum Pressure

Capable of accommodating a vacuum pressure of -0.7 bar.

Site Test Pressure

1.5 times working pressure for short duration (2 hours)

Angularity

HandiClamp & HandiTap fittings are not able to accommodate any angularity.

Bolt Torque/Spanner

- ▶ M12; Torque = 55-65Nm on every bolt
- ▶ M14; Torque = 70-80 Nm on every bolt
- ▶ M16; Torque = 95-110Nm on every bolt

Temperature Rating of Product

- ▶ EPDM = -20°C to +40°C
- ▶ Nitrile = 20°C to +40°C

Note: HandiClamp & HandiTap are not suitable for use on heating systems with fluctuating temperatures

End Load Due to Internal Pressure

HandiClamp & HandiTap fittings DO NOT resist end load due to the internal pressure - adequate external restraint must be provided to prevent pipe pull out from the clamp.

Approvals

The following water contact materials used in HandiClamp are approved for use with potable water:-

EPDM Gaskets:

- ▶ WRAS

In addition to the above, HandiClamp & HandiTap range as a finished product has KIWA certification verifying that the above products comply with the requirements of the Water Supply (Water Fittings) Regulations for England and Wales 1999, the Water Byelaws 2000, Scotland and the Water Regulations Northern Ireland.

Materials & Relevant Standards

Body & Plates

Shell, channel plate, bridging plate, lug plate & nut plate
Stainless Steel to BS1449:Part 2 GRADE 304S15

Gasket

- ▶ EPDM to BS EN681-1, TYPE WA, WC 60 IRHD
- ▶ Nitrile to BS EN682, Type G 60 IRHD

Studs

Stainless Steel to BS EN ISO3506-1
GRADE A2 Property Class 50

Nuts

Stainless Steel to BS EN ISO 3506-2
GRADE A4 Property Class 80

Washers

Stainless Steel BS1449:PART 2 GRADE 304S15