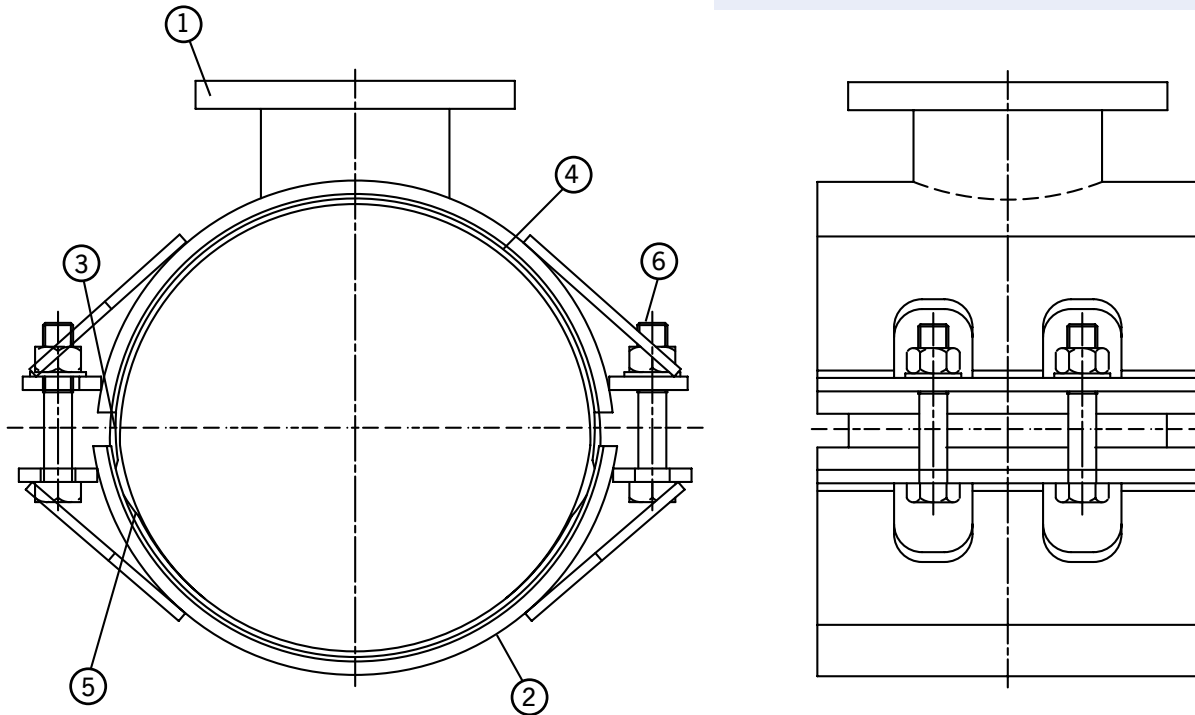


MattSeal EasiTee

Datasheet 1/2

Key

- 1 = Branch Housing
- 2 = Plain Housing
- 3 = Bridge Plate
- 4 = Saddle Gasket
- 5 = Housing Gasket
- 6 = Bolt, Nut & Washer



MattSeal EasiTee – Branch Outlet Sizes Available for Suitable Pipe Materials

The Following table provides details on branch outlet that is possible on various pipe materials for MattSeal. If the outlet/nom size is not available, see RingSeal EasiTee as alternative.

Host / Main		Flanged Outlet										
Nom	Dia	DN80	DN100	DN150	DN200	DN250	DN300	DN350	DN400	DN450	DN500	DN600
Steel and Ductile Iron Pipe Material												
DN350	14"	✓	✓	✓	✓	✓	✓	✓	-	-	-	-
DN400	16"	✓	✓	✓	✓	✓	✓	✓	-	-	-	-
DN450	18"	✓	✓	✓	✓	✓	✓	✓	✓	✓	-	-
DN500	20"	✓	✓	✓	✓	✓	✓	✓	✓	✓	✓	-
DN600	24"	✓	✓	✓	✓	✓	✓	✓	✓	✓	✓	✓
Cast Iron Pipe Material												
DN350	14"	✓	✓	✓	✓	✓	✓	✓	-	-	-	-
DN400	16"	✓	✓	✓	✓	✓	✓	✓	-	-	-	-
DN450	18"	✓	✓	✓	✓	✓	✓	✓	✓	✓	-	-
DN500	20"	✓	✓	✓	✓	✓	✓	✓	✓	✓	✓	-
-	21"	✓	✓	✓	✓	✓	✓	✓	✓	✓	✓	-
-	22"	✓	✓	✓	✓	✓	✓	✓	✓	✓	✓	-
DN600	24"	✓	✓	✓	✓	✓	✓	✓	✓	✓	✓	✓

MattSeal EasiTee products are manufactured to order. For detailed dimensional data please contact Viking Johnson.

Every effort has been made to ensure that the information contained in this publication is accurate at the time of publishing. Crane Ltd assumes no responsibility or liability for typographical errors or omissions or for any misinterpretation of the information within the publication and reserves the right to change without notice.

DR10998_01_10_2024_ISSUE 8

Technical Information

Working Pressure Rating

Water 16 bar

Gas not approved

Vacuum Pressure

Capable of accommodating a vacuum pressure of -0.7 bar

Site Test Pressure

1.5 times working pressure for short duration (2 hours)

Angularity

MattSeal EasiTee fittings are not able to accommodate any angularity.

Bolt Torque/Spanner:

M16; Torque 95-110Nm on every bolt

Spanner size A/F 24mm

M20; Torque 150-165Nm on every bolt

Spanner size A/F 30mm

M24; Torque 285-300Nm on every bolt

Spanner size A/F 36mm

M30; Torque 550-575Nm on every bolt

Spanner size A/F 46mm

M36; Torque 615-645Nm on every bolt

Spanner size A/F 50mm

Temperature Rating of Product

EPDM -20°C to +40°C

MattSeal EasiTee is not suitable for use on heating systems with fluctuating temperatures.

Loads from Drilling Equipment and Valve / Branch Pipework

MattSeal EasiTee is not designed to accommodate / resist the loads from the under pressure drilling equipment, which needs to be supported externally during the operation to drill into the main. In addition, the valve and branch pipework needs to be adequately supported to ensure none of the dead / live loads are imposed in the branch outlet in the MattSeal EasiTee.

Approvals

The following water contact materials used in MattSeal EasiTee are approved for use with potable water:-

Rilsan Nylon 11:

➤ WRAS, DVGW, W270, ACS & KIWA

EPDM Gaskets:

➤ WRAS

In addition to the above, MattSeal EasiTee as a finished product has KIWA certification verifying that the above products comply with the requirements of the Water Supply (Water Fittings) Regulations for England and Wales 1999, the Water Byelaws 2000, Scotland and the Water Regulations Northern Ireland.

Materials & Relevant Standards

Branch Housing

Steel BS EN10025-2 Grade S275JR

Steel Tube Options:

➤ BS EN 10216-1 Grade P265TRI

➤ BS EN 10255

Plain Housing

Steel BS EN10025-2 Grade S275JR

Bridging Plate

Stainless Steel BS1449:Part 2 Grade 304S15

Saddle Gasket

60 IRHD EPDM to BS EN681-1

Housing Gasket

60 IRHD EPDM to BS EN681-1

Coatings

Branch Housing:

➤ Rilsan Nylon 11 to WIS 4-52-01 (Part1)

Plain Housing:

➤ Rilsan Nylon 11 to WIS 4-52-01 (Part1)

Bolts

Steel BS EN ISO898-1 Property Class 4.8

Nuts

Steel BS4190 Grade 4

Washers

Steel BS EN10083:Part 1 Grade C22E