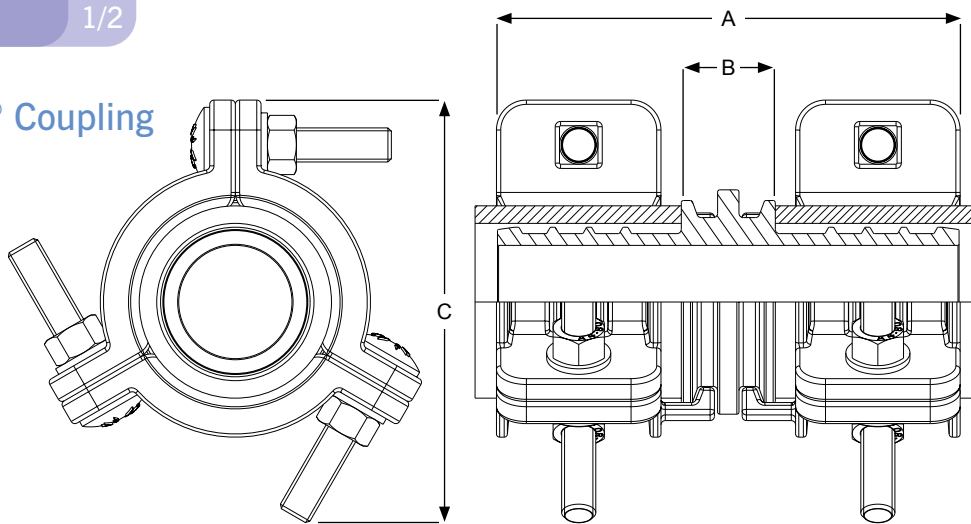
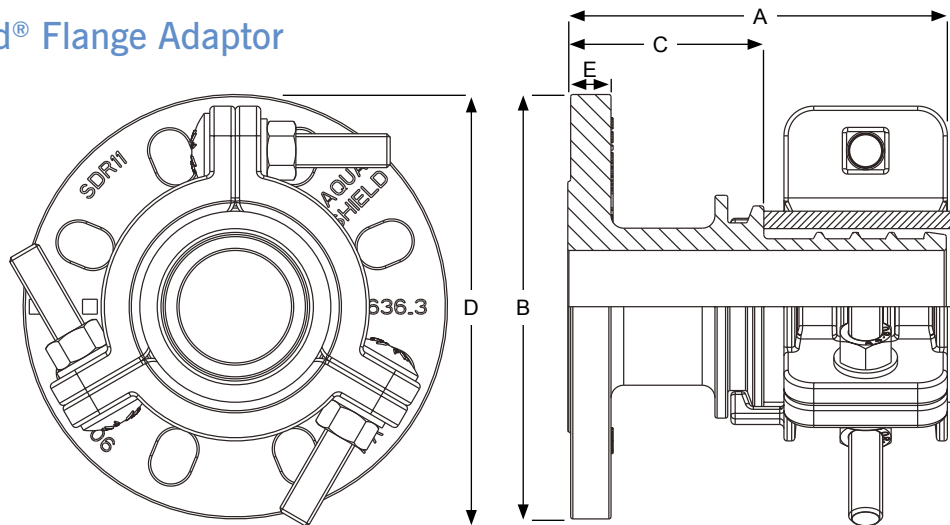


## AquaShield® Coupling



Pipe OD	SDR Rating	Dimensions (mm)			Clamp Band Bolts		Weight (kg)
		A	B	C	No. of Bolts	Bolts size	
90	11	217	45	198	6	M16 x 80	7
90	17	217	45	198	6	M16 x 80	7

## AquaShield® Flange Adaptor



Pipe OD	SDR Rating	Flange Drilling		Dimensions (mm)					Clamp Band Bolts		Weight (kg)
		Nom (DN)	Metric Drilling Specification	A	B	C	D	E	No. of Bolts	Bolts size	
90	11	DN65 / DN80	PN10 / 16	179	200	93	198	20.34	3	M16 x 80	9
90	17	DN65 / DN80	PN10 / 16	179	200	93	198	20.34	3	M16 x 80	9

Every effort has been made to ensure that the information contained in this publication is accurate at the time of publishing. Crane Ltd assumes no responsibility or liability for typographical errors or omissions or for any misinterpretation of the information within the publication and reserves the right to change without notice.

## Technical Information

### Working Pressure Rating

Water 16 bar

Gas not approved

### Vacuum Pressure

Capable of accommodating a vacuum pressure of -0.8 bar

### Site Test Pressure

1.5 times working pressure for short duration (2 hours)

### Pipe Material

Compatible\* with following barrier pipe materials:-

- GPS Protecta-Line
- Radius Puriton
- Egeplast SLA

In addition, works on standard PE 100 Pipe to BS EN 12001:2011/2012

In all cases the SDR rating must be either 11 or 17.

### Angularity

Not Applicable

### Bolt Torque/Spanner

Torque 200-210Nm on every bolt

Spanner size A/F 24mm

### Temperature Rating of Product

-20°C to +40°C

For optimal installation temperature, please refer to the installation manual.

### End Load Due to Internal Pressure

AquaShield® fully restrained fitting, designed to meet the performance requirements of WIS 4-24-01 Type 1 and BS 8561:2021.

### Approvals

The following water contact materials used in AquaShield® are approved for use with potable water:-

Rilsan Nylon 11:

- WRAS, AS/NZS 4020, DVGW, W270, ACS & KIWA

Permeation test in accordance with BS 8588:2017 (section 7.7) conducted and independently verified by RINA test laboratory.

Verification of compliance with BS 8561:2021 and BS 8588:2017 (section 7.7) by Water Research Centre (WRc).

KIWA UK Reg4 Approval (Pending).

## Materials & Relevant Standards

### Coupling, Flange Adaptor & Clamp Bands

SG Iron to BS EN 1563 Symbol EN-GJS-450-10

### Bolts

Stainless Steel grade A2-70

### Nuts

Stainless Steel grade A4-80

### Coatings:

Cast/Metal Components:

- Rilsan Nylon 11 (Black)

Bolts and Nuts:

- Delta Seal Silver GZ

\* Relevant tests have been conducted and certifications obtained in accordance with BS 8588:2017 (section 7.7) and BS 8561:2021 for the barrier pipe materials listed above.

Every effort has been made to ensure that the information contained in this publication is accurate at the time of publishing. Crane Ltd assumes no responsibility or liability for typographical errors or omissions or for any misinterpretation of the information within the publication and reserves the right to change without notice.