

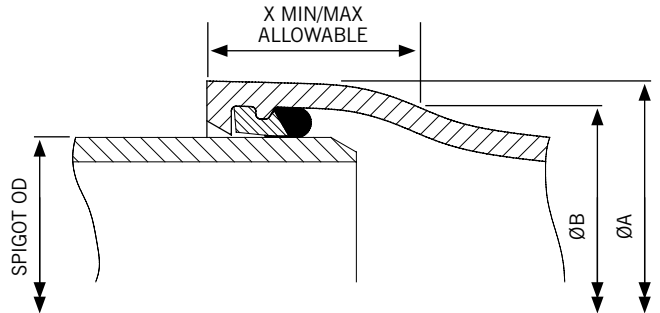
EasiCollar Order / Enquiry Form

EasiCollar is a bespoke product and Viking Johnson requires the following information to assist with the quotation process. Please complete this form fillable PDF and then send it onto us by clicking the 'Save & Send' button at the bottom of this page. This will send the completed form via email to us at info@vikingjohnson.com, please make sure to enter an accompanying message. Please then save the completed version of the form down to your computer for your records.

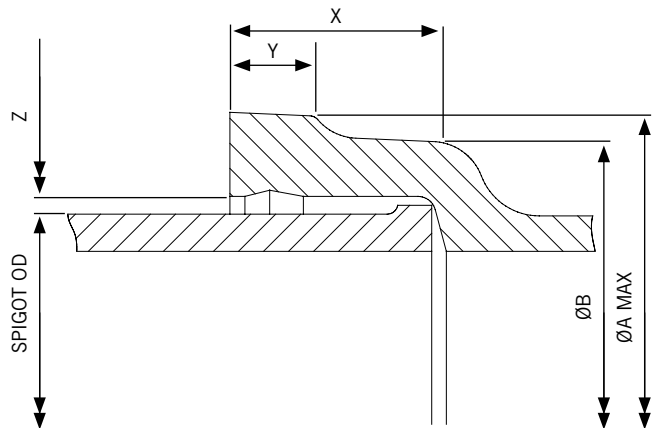
Product Details	
Delivery Time/Date*	
Spigot OD (Max)	
Dim A	
Dim B	
Dim X	
Dim Y	
Dim Z	
Pipe Material	
Pipe Markings / Class Rating	

Contact Details	
Company Name	
Contact Name	
Customer Address	
Email	
Telephone	
Fax	

Ductile Iron



Cast Iron



* For fast turnaround deliveries, surcharges will be applied.
Prices available on request.

Please note:

Due to the number of different types of spigot and socket joints, with varying tolerances, when ordering/enquiring about the product it would help if you could provide us with some basic information.

Please use cross sectional drawing and form to record dimensions, photocopy and send back to us with this information.

Every effort has been made to ensure that the information contained in this publication is accurate at the time of publishing. Crane Ltd assumes no responsibility or liability for typographical errors or omissions or for any misinterpretation of the information within the publication and reserves the right to change without notice.