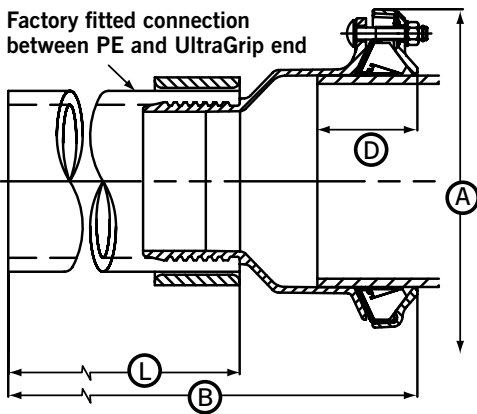


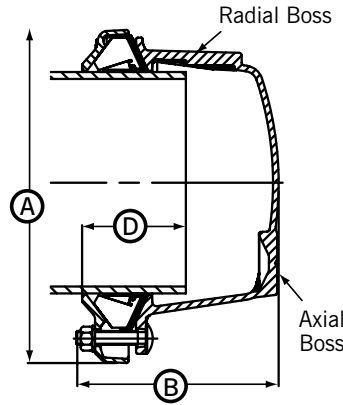
Next Generation UltraGrip Pecatadaptors & End Caps

Datasheet 1/2

Pecatadaptor



End Cap



UltraGrip Pecatadaptors

Nom Size	Size Range		PE		Insertion Depth (D)		Dimensions			Bolts		Weight (kg)
	Min	Max	Size	Sdr	Min	Max	Overall	PE Pipe End		Size	Type	
							A	B	L			
80	85.7	107.0	90	11	65	95	212	682	496	3-M12 x 70	HRH	7.43
100	107.0	133.2	110	11	90	115	280	708	496	3-M16 x 93	CSX	12.23
100	107.0	133.2	125	11	90	115	280	701	496	3-M16 x 93	CSX	12.92
125	132.2	160.2	110	11	90	115	305	727	496	3-M16 x 93	CSX	13.84
125	132.2	160.2	125	11	90	115	305	721	496	3-M16 x 93	CSX	14.56
150	158.2	192.2	160	11	90	125	339	730	496	4-M16 x 93	CSX	20.7
150	158.2	192.2	180	11	90	125	339	727	496	4-M16 x 93	CSX	23.27
200	218.1	256.0	225	11	125	165	432	751	496	5-M16 x 93	CSX	36.22

UltraGrip End Caps

Nom Size	Size Range		Insertion Depth (D)		Boss				Dimensions		Bolts		Weight (kg)
	Min	Max	Min	Max	Axial		Radial		A	B	No-size	Type	
					Min BSP	Max BSP	Min BSP	Max BSP					
40	43.5	63.5	65	95	1/2"	2"	1/2"	3/4"	168	150	3-M12 x 70	CSX	3.34
65	63.0	83.7	65	95	1/2"	2"	1/2"	3/4"	189	150	3-M12 x 70	CSX	3.97
80	85.7	107.0	65	110	1/2"	2"	1/2"	3/4"	212	166	3-M12 x 70	CSX	4.84
100	107.0	133.2	90	125	1/2"	2"	1/2"	1"	280	197	3-M16 x 93	CSX	8.44
125	132.2	160.2	90	135	1/2"	2"	1/2"	1"	305	215	3-M16 x 93	CSX	10.12
150	158.2	192.2	90	135	1/2"	2"	1/2"	1"	339	219	4-M16 x 93	CSX	12.6
175	192.2	226.9	125	165	1/2"	2"	1/2"	1"	403	235	5-M16 x 93	CSX	19.54
200	218.1	256.0	125	165	1/2"	2"	1/2"	1 1/2"	432	237	5-M16 x 93	CSX	21.4
250	266.0	310.0	125	165	1/2"	2"	1/2"	2"	476	309	6-M16 x 120	CSX	32.46
300	315.0	356.0	125	200	1/2"	2"	1/2"	2"	522	310	8-M16 x 120	CSX	39.21

Working Pressure & Temperature Ratings

Nominal Size	Gripping Product		Flex Product		Operating Temperature
	Gas	Water	Gas	Water	
DN40 to DN300	5 bar	16 bar	5 bar	16 bar	-20°C to +30°C
DN350 to DN400	5 bar	10 bar	5 bar	10 bar	
DN450 to DN600	N/A	10 bar	N/A	10 bar	

Notes:

- 1) Site Test Pressure – 1.5 times working pressure.
- 2) Factory Test Pressure – The minimum requirement in European Standards is 1.5 times working pressure plus 5 bar (e.g. 29 bar for 16 bar working pressure).
- 3) All water contact components are approved for use with Potable Water.

Bolt Torque	
	Nm
M12	55 - 70
M16	95 - 120
M20	210 - 230

Every effort has been made to ensure that the information contained in this publication is accurate at the time of publishing. Crane Ltd assumes no responsibility or liability for typographical errors or omissions or for any misinterpretation of the information within the publication and reserves the right to change without notice.

Next Generation UltraGrip Pecatadaptors & End Caps

Datasheet

2/2

Technical Information

Gripping product suitable for

Steel / Ductile iron / Grey cast iron / PE / PVC

Flex product suitable for

Steel / Ductile iron / Grey cast iron / PVC / Asbestos cement

Angularity

Pecatadaptor 4°

End Cap 4°

Support liners – PE and PVC pipes

A close fit support liner is required when used on:

- ▶ All PE pipes
- ▶ Thin walled PVC pipes

When used on thick walled PVC pipes a support liner is not required. Please contact Viking Johnson for further details.

Pecatadaptors length of PE accommodates:

- ▶ 2 Electrofusion connections

End Cap Optional - drilled & tapped bosses available:

- ▶ Axial – to act as inlet/drainage point (Min=1/2", Max=2" - all sizes)
- ▶ Radial – to act as air release/bleed hole (Min=1/2", Max=2" - depending on diameter)

Materials & Relevant Standards

End Rings & Centre Sleeve

S.G. Iron to BS EN 1563 Symbol EN-GJS-450-10

Completion Sleeve to Pecatadaptor

Mild Steel Tube to DIN1629 Grade ST52 or ST37-2

Gasket

EPDM Compound Grade E to BS EN 681-1

Nitrile Compound to Grade G BS EN 682, Type G

Coatings

Cast/Metal Components:

- ▶ Rilsan Nylon 11 (Black)

Bolts:

- ▶ Pecatadaptors: Gleitmo 900 (Dry Film Lubricant)
- ▶ End Caps: Sheraplex to WIS 4-52-03

Nuts:

- ▶ Geomet 500

End Cap Bolts

Sheraplex coated steel bolts to allow repeated use without the need to lubricate threads. Stainless steel bolts are optional.

Use of restrained couplings on exposed pipework

Above ground exposed pipework is subject to both loads from the internal pressure and those from temperature changes / thermal expansion, which can be substantially higher than those from internal pressure and cannot always be safely determined. For this reason it is recommended that the use of UltraGrip be restricted to buried pipelines, valve chambers and above ground indoor applications and not exposed to direct sunlight or excessive temperature changes (e.g. pump houses).

Approvals

The following water contact materials used in UltraGrip are approved for use with potable water:-

Rilsan Nylon 11:

- ▶ WRAS, KIWA, AS/NZS 4020

Gasket (EPDM):

- ▶ WRAS, KTW, DVGW, W270, KIWA & AS/NZS 4020

In addition to the above, UltraGrip range as a finished product has KIWA certification verifying that the above products comply with the requirements of the Water Supply (Water Fittings) Regulations for England and Wales 1999, the Water Byelaws 2000, Scotland and the Water Regulations Northern Ireland.

Gasket (Nitrile):

- ▶ DVGW Approved

DN40 to DN600 UltraGrip has been independently tested by BSI to confirm it meets the requirements of BS EN 14525 (VC 673979).

Gripper & Carrier

Acetal Copolymer Grade M25 or equivalent

Bolts

Standard - Stainless steel to BS EN 3506-1 Grade A2 Property Class 80 or 70

Option - Stainless steel to BS EN ISO 3506-1 Grade A4 Property Class 50

Nuts

Stainless Steel to BS EN 3506-2 Grade A4 Property Class 80

Washers

Stainless steel – BS1449:PT2 Grade 304 S15

Grit to Gripper

Corundum - aluminium oxide with a chemical composition of Al_2O_3 and a hexagonal crystal structure (rock-forming mineral that is found in igneous, metamorphic, and sedimentary rocks).

Every effort has been made to ensure that the information contained in this publication is accurate at the time of publishing. Crane Ltd assumes no responsibility or liability for typographical errors or omissions or for any misinterpretation of the information within the publication and reserves the right to change without notice.