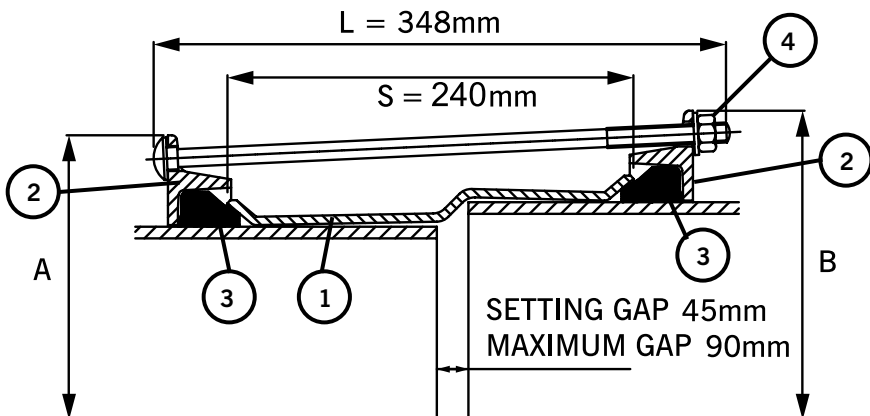


MaxiStep Large Diameter Expanded Sleeve Stepped Couplings

Datasheet 1/2

Expanded Sleeve Stepped Coupling



Key

- 1 = Sleeve
- 2 = End Ring
- 3 = Gasket
- 4 = Bolts, Nut & Washer

MaxiStep Expanded Sleeve Stepped Couplings

OD Range				Gasket Mould No.		Bolts No.-Dia x Length	Dimensions		Weight (kg)
Small End		Large End		Small End	Large End		End Ring Diameter		
Min (mm)	Max (mm)	Min (mm)	Max (mm)				Small End A (mm)	Large End B (mm)	
374.5	391.5	394.3	411.3	1659	1766	8-M12 x 340	501.5	521.5	32.1
374.5	391.5	404.8	421.8	1659	1767	8-M12 x 340	501.5	532.0	32.4
374.5	391.5	418.2	435.2	1659	1784	10-M12 x 340	501.5	545.0	33.1
386.0	403.0	412.0	429.0	6035	6023	10-M12 x 340	513.0	539.0	33.6
394.3	411.3	418.2	435.2	1766	1784	10-M12 x 340	521.5	545.0	34.1
404.8	421.8	418.2	435.2	1767	1784	10-M12 x 340	532.0	545.0	34.7
404.8	421.8	425.0	442.0	1767	1662	10-M12 x 340	532.0	552.0	34.8
425.0	442.0	434.5	451.4	1662	1768	10-M12 x 340	552.0	561.5	36.3
425.0	442.0	447.2	464.2	1662	1769	10-M12 x 340	552.0	574.0	36.5
425.0	442.0	455.0	472.0	1662	6003	10-M12 x 340	552.0	582.0	36.6
439.0	456.0	467.0	484.0	6036	6073	10-M12 x 340	566.0	594.0	37.8
455.0	472.0	467.0	484.0	6003	6073	10-M12 x 340	582.0	594.0	38.7
476.0	493.0	487.3	504.3	1770	1771	10-M12 x 340	603.0	614.5	40.1
476.0	493.0	501.9	518.9	1770	1772	10-M12 x 340	603.0	629.0	40.4
476.0	493.0	510.0	527.0	1770	6004	10-M12 x 340	603.0	637.0	40.5
492.0	509.0	510.0	527.0	6037	6004	10-M12 x 340	619.0	637.0	41.4
492.0	509.0	527.0	544.0	6037	1773	12-M12 x 340	619.0	654.0	42.2
501.9	518.9	527.0	544.0	1772	1773	12-M12 x 340	629.0	654.0	42.8
510.0	527.0	527.0	544.0	6004	1773	12-M12 x 340	637.0	654.0	43.1
527.0	544.0	540.1	557.1	1773	1774	12-M12 x 340	654.0	667.0	44.3
527.0	544.0	555.3	572.3	1773	1775	12-M12 x 340	654.0	682.5	44.6
527.0	544.0	566.5	583.5	1773	1776	12-M12 x 340	654.0	693.5	44.8
527.0	544.0	573.0	590.0	1773	6129	12-M12 x 340	654.0	700.0	44.9
527.0	544.0	582.2	599.2	1773	1777	12-M12 x 340	654.0	709.0	45.1
546.0	563.0	590.5	607.5	6038	6074	12-M12 x 340	673.0	717.5	46.3
598.0	615.0	630.0	647.0	6130	1778	14-M12 x 340	725.0	757.0	50.3
601.0	618.0	630.0	647.0	6020	1778	14-M12 x 340	728.0	757.0	50.4
601.0	618.0	645.2	662.2	6020	1779	14-M12 x 340	728.0	772.0	50.7
618.0	635.0	630.0	647.0	6025	1778	14-M12 x 340	745.0	757.0	51.3
630.0	647.0	645.2	662.2	1778	1779	14-M12 x 340	757.0	772.0	52.3
630.0	647.0	654.0	671.0	1778	6039	14-M12 x 340	757.0	781.0	52.4
630.0	647.0	662.0	679.0	1778	1780	14-M12 x 340	757.0	789.0	52.6
630.0	647.0	675.0	692.0	1778	6005	14-M12 x 340	757.0	802.0	52.8
654.0	671.0	710.0	727.0	6039	6075	14-M12 x 340	781.0	837.0	54.7
733.0	750.0	741.0	758.0	10511/46	10511/51	16-M12 x 340	860.0	868.0	60.1

Every effort has been made to ensure that the information contained in this publication is accurate at the time of publishing. Crane Ltd assumes no responsibility or liability for typographical errors or omissions or for any misinterpretation of the information within the publication and reserves the right to change without notice.

MaxiStep Large Diameter Expanded Sleeve Stepped Couplings

Datasheet

2/2

Technical Information

Working Pressure Rating

Water 16 bar

Gas 6 bar

Vacuum Pressure

Capable of accommodating a vacuum pressure of -0.7 bar

Site Test Pressure

1.5 times working pressure for short duration (2 hours)

Angularity

Stepped Couplings 6°

The above are for when the product is on maximum pipe outside diameters; can achieve larger ones with smaller pipe diameters.

Bolt Torque/Spanner

M12; Torque 55-65Nm on every bolt

Spanner size A/F 19mm

Temperature Rating of Product

EPDM -20°C to +90°C

Nitrile -20°C to +90°C

For use on applications with fluctuating and / or elevated temperatures (> 60°C) may require regular maintenance to re-tighten the bolts and must be included in any maintenance schedule.

End Load Due to Internal Pressure

MaxiFit DOES NOT resist end load due to the internal pressure - adequate external restraint must be provided to prevent pipe pull out.

Approvals

The following water contact materials used in MaxiFit are approved for use with potable water:-

Rilsan Nylon 11:

➤ WRAS, AS/NZS 4020, DVGW, W270, ACS & KIWA

EPDM Gaskets:

➤ WRAS, AS/NZS 4020

In addition to the above, MaxiFit range as a finished product has KIWA certification verifying that the above products comply with the requirements of the Water Supply (Water Fittings) Regulations for England and Wales 1999, the Water Byelaws 2000, Scotland and the Water Regulations Northern Ireland.

Materials & Relevant Standards

Expanded Sleeve

Rolled Steel to BS EN 10025-2 Grade S275

End Ring

Rolled Steel to BS EN 10025-2 Grade S275

Gasket

EPDM Grade "E" to BS EN 681-1 Type WA WRAS Listed

Nitrile compound to Grade G BS EN 682, Type G

Coating

Sleeve & End Ring:

➤ Rilsan Nylon 11 to WIS 4-52-01 Part 1

Bolts & Nuts:

➤ Sheraplex to WIS 4-52-03

Bolts

Standard - Steel to BS EN ISO 898-1 Property Class 4.8

Option - Stainless Steel to BS EN ISO 3506-1: grade A4 property class 50

Nuts

Standard - Steel to BS EN 4190 Grade 4

Option - Stainless Steel to BS EN ISO 3506-2: grade A4 property class 80

Washers

Stainless Steel to BS 1449:Part 2 Grade 304 S15