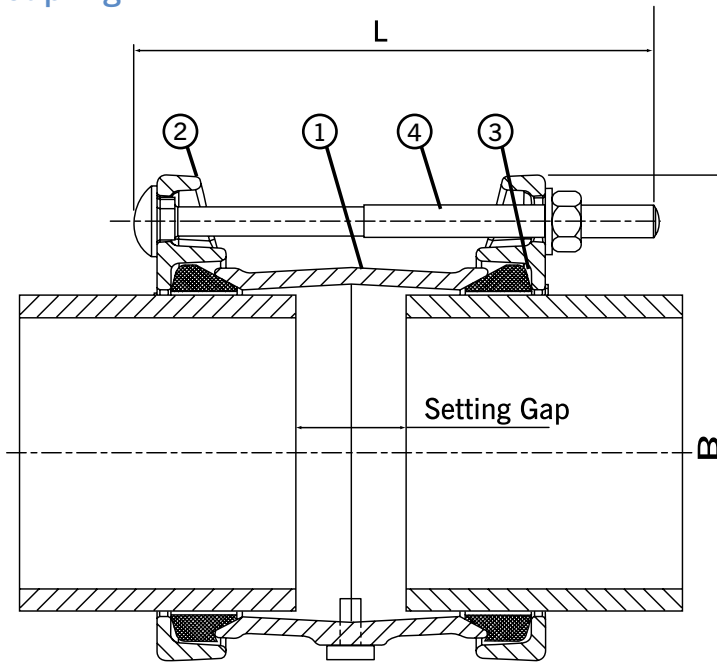


Marine Couplings

Datasheet

1/2

Coupling



Key

- 1 = Centre Sleeve
- 2 = End Ring
- 3 = Gasket
- 5 = Bolts, Nut & Washer

Marine Couplings

Pipe OD (mm)	W.P. (bar)	No. Plugs	End Ring OD B (mm)	L (mm)	Bolt Size No.-Dia x Length	Setting gap		Gasket Mould No.	Weight (kg)
						Min	Max		
047.9 - 051.3	46.6	1 Plug	136	188	2-M12 x 180	30	40	12477/41	2.22
059.5 - 063.3	46.6	1 Plug	148	188	2-M12 x 180	30	40	12477/1	2.51
075.3 - 079.1	46.6	1 Plug	164	188	2-M12 x 180	30	40	12477/5	2.89
088.1 - 091.9	46.6	1 Plug	177	188	4-M12 x 180	30	40	12477/7	3.81
107.2 - 111.0	46.6	1 Plug	196	188	4-M12 x 180	30	40	12477/12	4.26
113.5 - 120.2	46.6	1 Plug	205	188	4-M12 x 180	30	40	12477/15	4.48
138.9 - 142.7	44.0	1 Plug	228	188	4-M12 x 180	30	40	12477/19	5.02
158.2 - 162.0	38.8	1 Plug	254	188	4-M12 x 180	30	40	12477/21	6.32
167.5 - 172.3	36.9	1 Plug	264	188	4-M12 x 180	30	40	12477/24	6.59
192.2 - 196.7	32.2	2 Plug	292	188	4-M12 x 180	30	40	12477/26	8.06
218.3 - 224.4	35.8	2 Plug	319	188	4-M12 x 180	30	40	12477/29	8.89
272.2 - 276.5	34.8	2 Plug	372	188	6-M12 x 180	30	40	12477/34	11.15
323.1 - 328.6	29.5	2 Plug	424	188	6-M12 x 180	30	40	12477/37	12.76
355.6	23.2	2 Plug	446	243	6-M12 x 235	35	50	J51LS	19.60
406.4	27.2	2 Plug	497	243	8-M12 x 235	35	50	J53LS	22.40
457.0	24.2	3 Plug	548	243	8-M12 x 235	35	50	J55LS	24.90
508.0	27.4	3 Plug	598	243	10-M12 x 235	35	50	J57LS	27.80
560.0	24.9	3 Plug	649	243	10-M12 x 235	35	50	J59LS	30.20
610.0	22.9	3 Plug	700	243	10-M12 x 235	35	50	J60LS	32.70
660.0	24.3	3 Plug	751	243	12-M12 x 235	35	50	J61LS	35.50
711.0	22.6	3 Plug	802	243	12-M12 x 235	35	50	J63LS	38.00

Note: The above table is for steel pipe sizes - contact Viking Johnson for other pipe materials.

Every effort has been made to ensure that the information contained in this publication is accurate at the time of publishing. Crane Ltd assumes no responsibility or liability for typographical errors or omissions or for any misinterpretation of the information within the publication and reserves the right to change without notice.

DR8550_03_2020_ISSUE 6

Technical Information

Working Pressure Rating

For Water / Other Fluid applications as detailed in Marine Coupling Technical Data Table.

Gas 6 bar

Vacuum Pressure

Capable of accommodating a vacuum pressure of -0.7 bar.

Site Test Pressure

1.5 times working pressure for short duration (2 hours).

Angularity

Couplings 6°

Bolt Torque/Spanner

M12; Torque 55-65Nm on every bolt

Spanner size A/F 19mm

Temperature Rating of Product

EPDM -20°C to +90°C

Nitrile -20°C to +90°C

For use on applications with fluctuating and / or elevated temperatures (> 60°C) may require regular maintenance to re-tighten the bolts and must be included in any maintenance schedule.

End Load Due to Internal Pressure

Marine couplings / stepped couplings DO NOT resist end load due to the internal pressure - adequate external restraint must be provided to prevent pipe pull out.

Approvals

Viking Johnson marine couplings have the following shipping approvals:-

- ABS; Certificate of Design Assessments
- Bureau Veritas; Type Approval Certificate

Materials & Relevant Standards

Centre Sleeve & End Ring Options:

- Ductile Iron to BS EN1563 Symbol EN-GJS-450-10
- Steel to BS EN10025-2 Grade S275JR

Gaskets

EPDM to BS EN681-1, TYPE WA, WC

Nitrile to BS EN682 Type G

Other grades are available - contact Viking Johnson for details

Coating

Centre sleeve, End Ring, Bolts & Nuts:

- Galvanised

Locating Plug:

- Zn10

Bolts

Steel to BS EN ISO 898-1 property class 4.8

Nuts

Steel to BS EN 20898-2 property class 8

Washer

Stainless Steel to BS1449:Part 2 Grade 304S15

Locating Plugs

Steel to BS970: Part 3: Grade 230M07

Options

NBR Gasket without removable plugs

EPDM Gasket with removable plugs

EPDM Gasket without removable plugs

Flange adaptors available on request