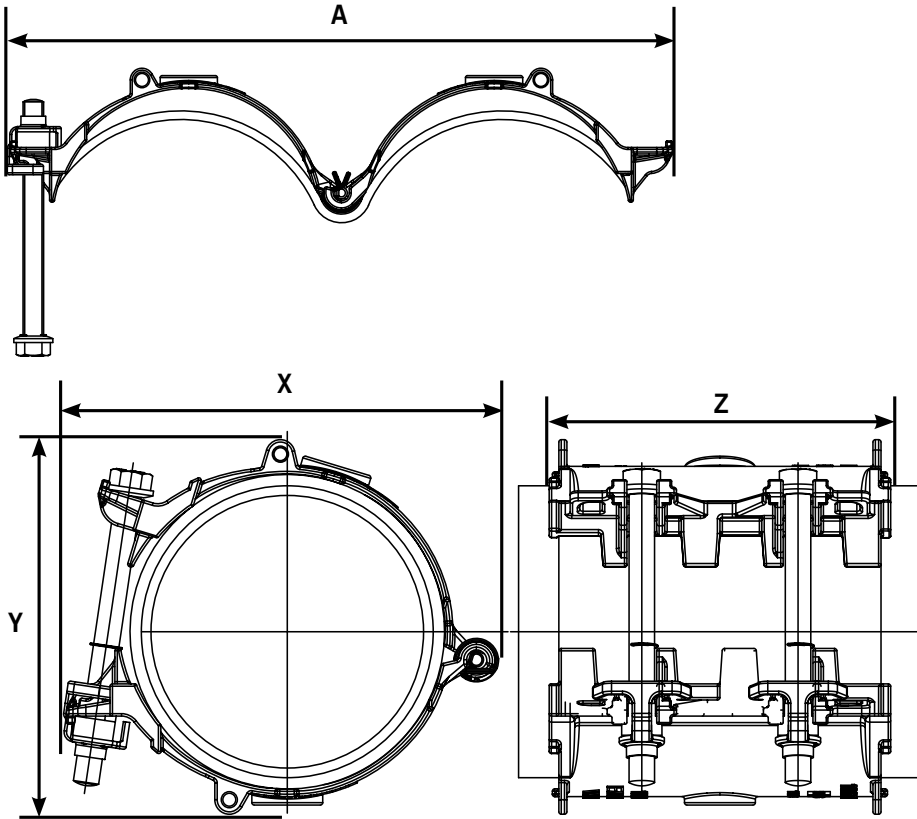


# EasiClamp & EasiTap Hinged - 2 Bolt (D&T / D&T Boss)

Datasheet 1/2

## EasiClamp Hinged - 2 Bolt



## EasiClamp Hinged - 2 Bolt

Nominal Diameter	OD Range		Overall Dimensions				Bolt Size No.-Dia x Length	Gasket Mould No.	Weight (kg)
	Min (mm)	Max (mm)	X (mm)	Y (mm)	Z (mm)	A (mm)			
3"	92.3	103	182	175	212	347	2-M16 x 165	13094	4.8
4"	115	125.6	207	186	212	395	2-M16 x 165	13095	5.3
6"	166	181.2	264	233	212	512	2-M16 x 185	13096	6.9

## EasiTap Hinged - 2 Bolt D&T Boss

Nominal Diameter	OD Range		Overall Dimensions				Bolt Size No.-Dia x Length	Gasket Mould No.	Weight (kg)	Standard BSP Threaded Boss Size	Non Standard BSP Threaded Boss Size
	Min (mm)	Max (mm)	X (mm)	Y (mm)	Z (mm)	A (mm)					
3"	92.3	103	182	175	212	347	2-M16 x 165	13094	4.8	0.75" BSP	0.5" BSP
4"	115	125.6	207	186	212	395	2-M16 x 165	13095	5.3	1" BSP	0.5" BSP 0.75" BSP
6"	166	181.2	264	233	212	512	2-M16 x 185	13096	6.9	1" BSP	0.5" BSP 0.75" BSP

Every effort has been made to ensure that the information contained in this publication is accurate at the time of publishing. Crane Ltd assumes no responsibility or liability for typographical errors or omissions or for any misinterpretation of the information within the publication and reserves the right to change without notice.

DR8550\_03\_2020\_ISSUE 6

# EasiClamp & EasiTap Hinged - 2 Bolt (D&T / D&T Boss)

Datasheet

2/2

## Technical Information

### Working Pressure Rating

Water 16 bar

Gas not approved

### Vacuum Pressure

Capable of accommodating a vacuum pressure of -0.7 bar

### Site Test Pressure

1.5 times working pressure for short duration (2 hours)

### Angularity

Two Bolt Remote EasiClamp and EasiTap fittings are not able to accommodate any angularity.

### Bolt Torque/Spanner

M16; Torque 95-110Nm on every bolt

Spanner size A/F 24mm

### Temperature Rating of Product

EPDM -20°C to +40°C

Two bolt Remote EasiClamp and EasiTap are not suitable for use on heating systems with fluctuating temperatures.

### End Load Due to Internal Pressure

Two bolt Remote EasiClamp and EasiTap DO NOT resist end load due to the internal pressure - adequate external restraint must be provided to prevent pipe pull out from the clamp.

### Approvals

The following water contact materials used in two bolt Remote EasiClamp and EasiTap are approved for use with potable water:-  
Rilsan Nylon 11:

➤ WRAS, AS/NZS 4020, DVGW, W270, ACS & KIWA

EPDM Gaskets:

➤ WRAS, AS/NZS 4020

In addition to the above, two bolt Remote EasiClamp and EasiTap as a finished product has KIWA certification verifying that the above products comply with the requirements of the Water Supply (Water Fittings) Regulations for England and Wales 1999, the Water Byelaws 2000, Scotland and the Water Regulations Northern Ireland.

## Materials & Relevant Standards

### Housing

Ductile Iron to BS EN1563 Symbol EN-GJS-450-10

### Bridging Plate

Stainless Steel BS1449:PART 2 GRADE 304S15 2B Finish

### Hinge Clip / Retaining Clip / Bolt Retainer Clip

Acetal M25-04 Natural (HOECHST)

### Gasket

BS EN681-1 60 IRHD

### Coatings

Body:

➤ Rilsan Nylon 11 to WIS 4-52-01 (Part1)

Bolts and Anti-Rotation Nuts:

➤ Sheraplex to WIS 4-52-03

Spherical Washer:

➤ Galvanised

### Bolts

Standard - Steel to BS EN ISO 898-1 Property Class 4.8

### Anti-Rotation Nut

Cast or Machined Steel. Min Yield Strength = 275N/mm<sup>2</sup>.  
Ultimate Tensile Strength = 430N/mm<sup>2</sup>. Elongation = 23%

### Spherical Washer

Ductile Iron to BS EN1563 Symbol EN-GJS-450-10