

Next

Generation UltraGrip

PE & PVC Connections & Repairs



**NOW
AVAILABLE
UP TO
DN600**



PIONEERS IN PIPE SOLUTIONS

CRANE

BUILDING SERVICES & UTILITIES



Pipe Materials



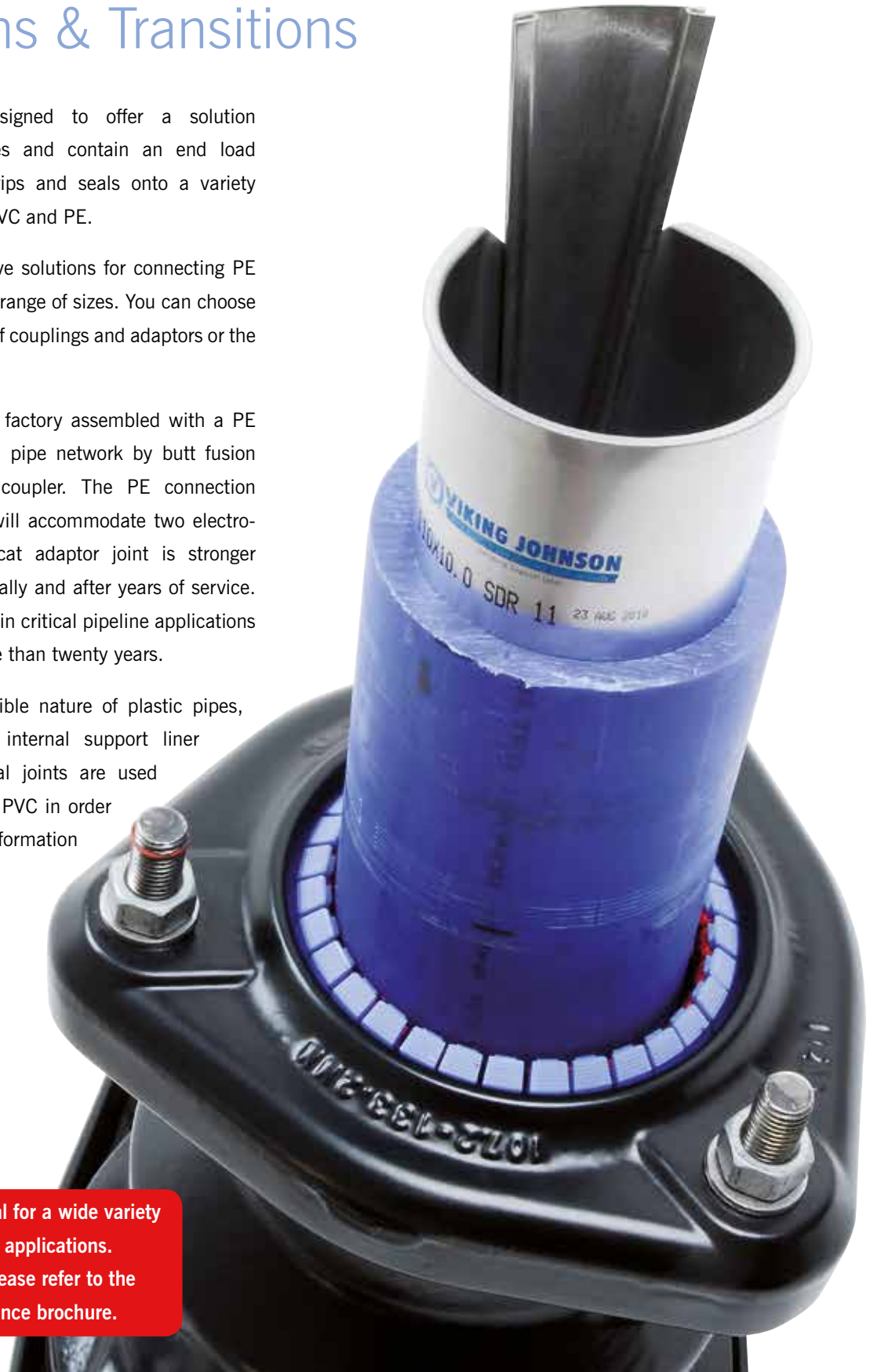
Ideal for PE & PVC Pipe Connections & Transitions

UltraGrip products are designed to offer a solution for joining plain-ended pipes and contain an end load resistant mechanism that grips and seals onto a variety of pipe materials, including PVC and PE.

UltraGrip offers two alternative solutions for connecting PE and rigid pipes across a wide range of sizes. You can choose between the UltraGrip range of couplings and adaptors or the UltraGrip Pecat adaptor.

UltraGrip Pecat adaptors are factory assembled with a PE tail, ready for jointing into a pipe network by butt fusion or using an electro-fusion coupler. The PE connection is 500mm in length which will accommodate two electro-fusion connections. The Pecat adaptor joint is stronger than the pipe itself, both initially and after years of service. Pecat fittings have been used in critical pipeline applications throughout the world for more than twenty years.

Please note that due to flexible nature of plastic pipes, a close fit Stainless Steel internal support liner is required when mechanical joints are used on PE pipes and thin walled PVC in order to prevent excessive pipe deformation which can occur.



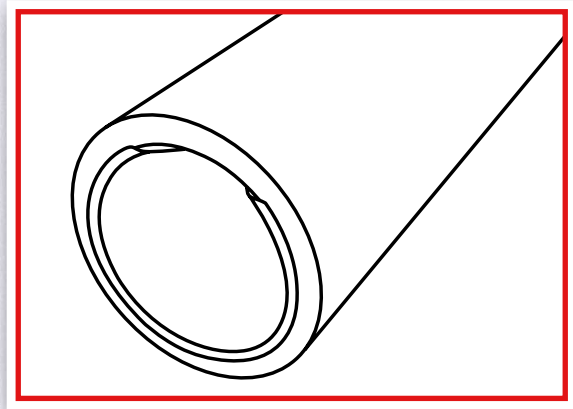
UltraGrip products are ideal for a wide variety of pipe materials and applications. For more information please refer to the UltraGrip Wide Tolerance brochure.

UltraGrip Support Liner For PE & PVC Pipes

Easy to use in 4 Simple Steps

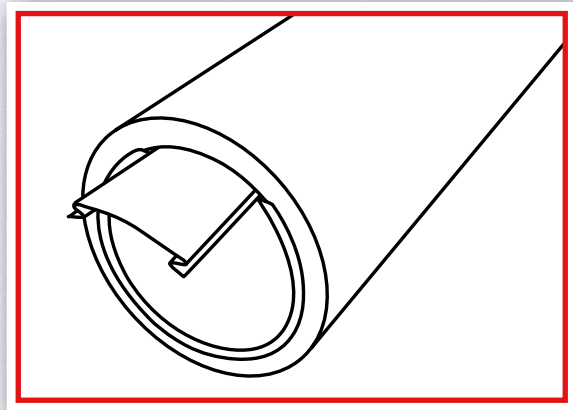
Step 1

Place insert in to pipe.



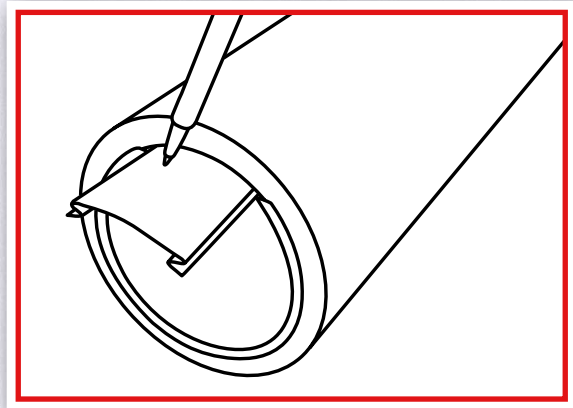
Step 2

Slide insert until its collar contacts pipe end.



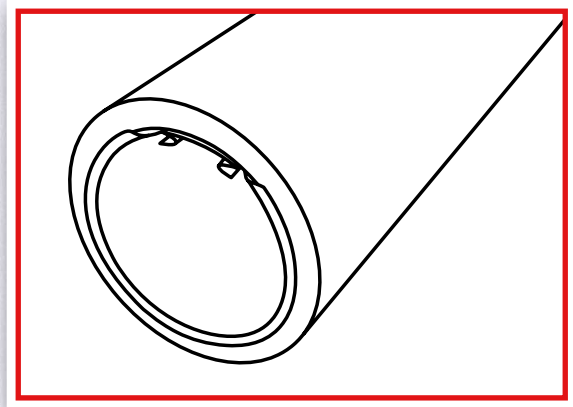
Step 3

Tap in the wedge until insert is in full circumferential contact with inside surface of pipe. Do not use wedge to expand the pipe.



Step 4

Remove excess wedge.



UltraGrip Support Liner For PE & PVC Pipes

Specifications

Support Liner - Standard - 1mm thickness

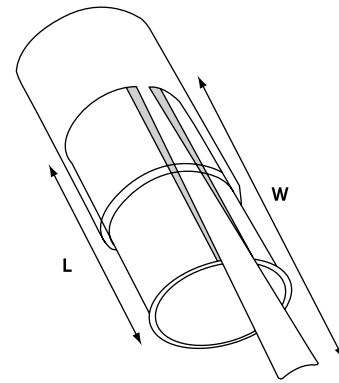
Pipe OD	Insert length L (mm)	SDR Rating	Wedge Length W (mm)
63	130	SDR 13, 6	220
75	130	SDR 11	220
90	130	SDR 17	220
90	130	SDR 13, 6	220
90	130	SDR 11	220
110	150	SDR 17	220
110	150	SDR 13, 6	220
110	150	SDR 11	220
125	150	SDR 17	220
125	150	SDR 11	220
140	150	SDR 11	220
160	175	SDR 17	220
160	175	SDR 13, 6	220
160	175	SDR 11	220
180	175	SDR 17	220
180	175	SDR 11	220

Support Liner - Standard - 2mm thickness

Pipe OD	Insert length L (mm)	SDR Rating	Wedge Length W (mm)
200	180	SDR 17	220
200	180	SDR 11	220
225	180	SDR 17	220
225	180	SDR 11	220
250	180	SDR 11	220
280	200	SDR 17	220
280	200	SDR 13, 6	220
280	200	SDR 11	220
315	200	SDR 17	220
315	200	SDR 11	220
355	200	SDR 17	220
355	200	SDR 11	220
400	200	SDR 11	220
400	200	SDR 17	220

Support Liner - Standard - 3mm thickness

Pipe OD	Insert length L (mm)	SDR Rating	Wedge Length W (mm)
450	240	SDR 11	300
450	240	SDR 17	300
500	240	SDR 11	300
500	240	SDR 17	300
560	240	SDR 11	300
560	240	SDR 17	300
630	240	SDR 11	300
630	240	SDR 17	300
710	240	SDR 11	300
710	240	SDR 17	300



Materials

Stainless steel

ASTM, AISI 304

Note: The use of UltraGrip on PVC pipes with wall thickness above Class 4 of DIN8062 does not require the use of a support liner. However, for all other classes of PVC pipes, please contact the Viking Johnson Technical Department with details on your pipe Outside Diameter and wall thickness to receive availability of the liner. Minimum order quantities may apply. To negate the use of a support liner, AquaFast can be used for metric PVC pipe connections.

Germany - Memmingen

Maintenance on Water Pipe Network

Next Generation UltraGrip
Reducing Coupling - DN80/DN110 HDPE



Project

In Germany, many utility companies use HDPE pipe material for daily repair and renewal of existing pipe network.

A project in Memmingen, FriaGrip (UltraGrip) reducing coupling with a stainless steel support liner was installed to connect a cast iron pipe sized at DN80 to a new 110mm HDPE pipe.

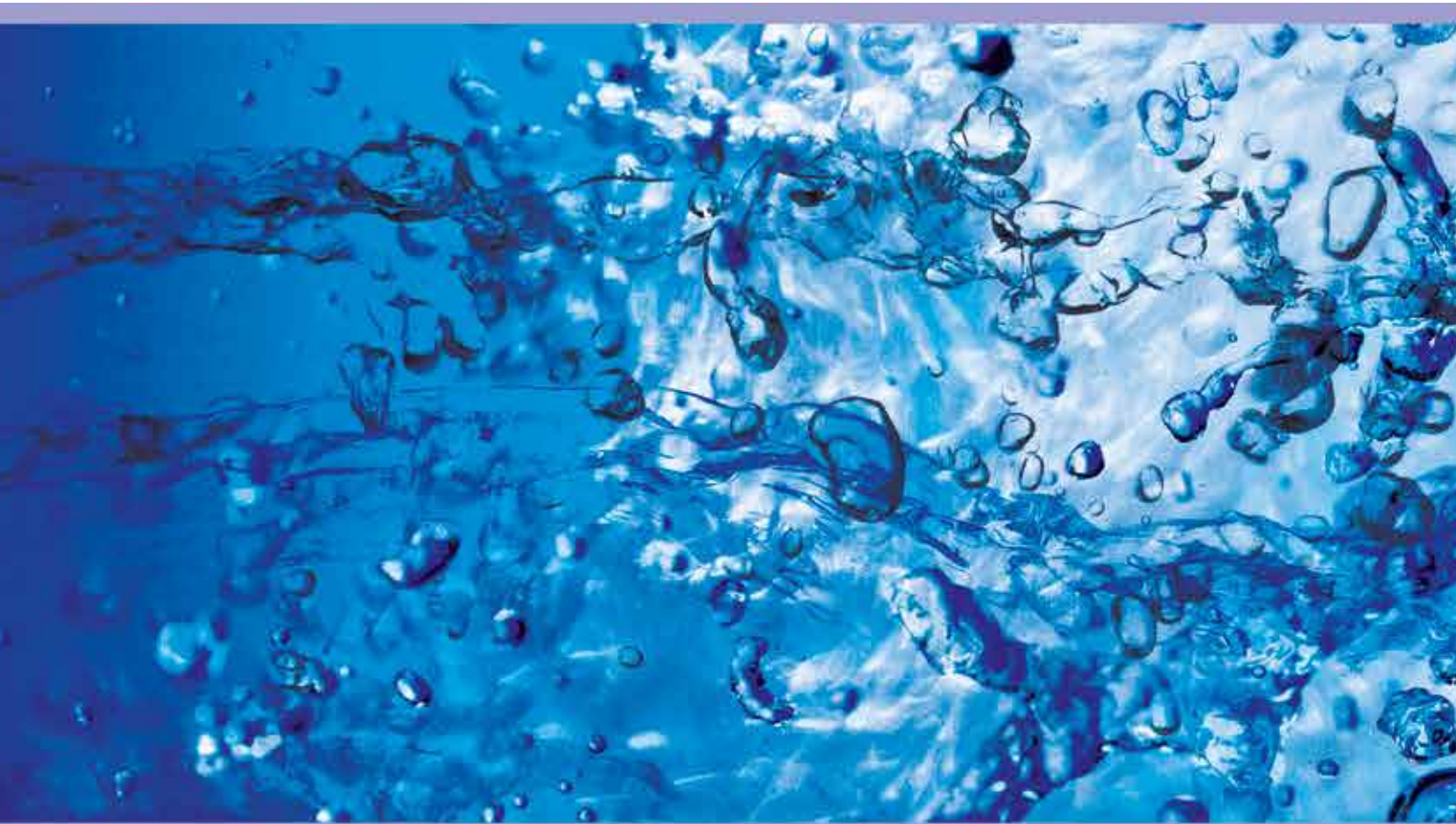
Client

Stadtwerke Memmingen

Distributor

Friatec AG, Mannheim





46-48 WILBURY WAY
HITCHIN, HERTFORDSHIRE
SG4 0UD. UNITED KINGDOM
TELEPHONE: +44 (0)1462 443322
FAX: +44 (0)1462 443311
EMAIL: info@vikingjohnson.com

www.vikingjohnson.com

Every effort has been made to ensure that the information contained in this publication is accurate at the time of publishing. Crane Ltd assumes no responsibility or liability for typographical errors or omissions or for any misinterpretation of the information within the publication and reserves the right to change without notice.



ISO 14001 • EMS 51874



ISO 9001 • FM 00311



To visit our Video Library go to:
www.youtube.com/user/CraneBSU

- Designed and manufactured under quality management systems in accordance with BS EN ISO 9001.
- Environmental Management System accredited to ISO 14001.
- For full terms and conditions, please visit our website.

DF9380_09_2017_GB

PIONEERS IN PIPE SOLUTIONS



www.cranesbu.com

