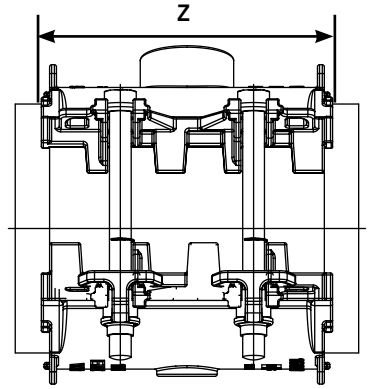
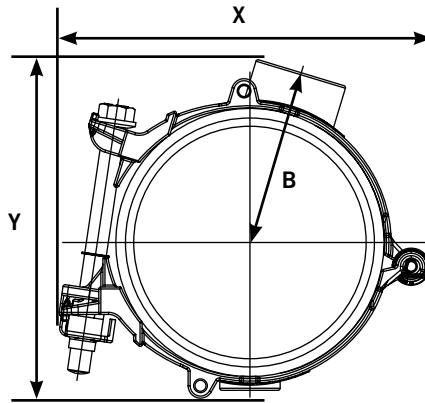
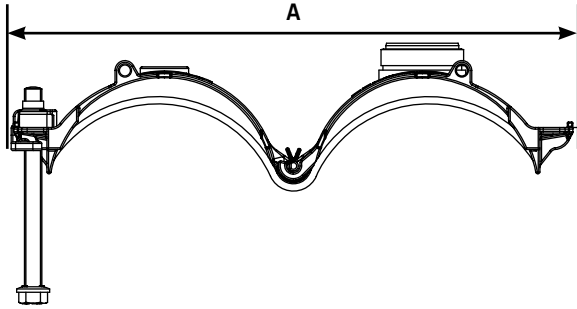


Remote EasiTap D&T Outlet

Specifications

Working Pressure = 16bar (water)



Remote EasiTap D&T Outlet

Nominal Diameter	OD Range		Overall Dimensions					Bolt Size No.-Dia x Length	Gasket Mould No.	Weight (kg)	Outlet - BSP Threaded Size
	Min (mm)	Max (mm)	X (mm)	Y (mm)	Z (mm)	A (mm)	B (mm)				
3"	92.3	103	182	185	212	347	86	2-M16 x 165	13094	5.0	2"BSP
4"	115	125.6	207	200	212	395	93	2-M16 x 165	13095	5.5	2"BSP
6"	166	181.2	264	247	212	512	122	2-M16 x 185	13096	7.1	2"BSP

Materials & Relevant Standards

Housing

Ductile Iron to BS EN1563 Symbol EN-GJS-450-10

Gasket

BS EN681-1 for potable water applications
(WRAS Approved) (60 IRHD)

Bridging Plate

Stainless Steel BS1449:PART 2 GRADE 304S15 2B Finish

Hinge Clip

Acetal M25-04 Natural (HOECHST)

Bolts/Spanner Size

Steel BS EN ISO898-1 Property Class 4.8 M16 / 24mm A/F

Bolt Torque

95 to 120Nm

Retaining Clip

Acetal M25-04 Natural (HOECHST)

Bolt Retainer

Acetal M25-04 Natural (HOECHST)

Anti-Rotation Nut

Cast or Machined Steel. Min Yield Strength = 275N/mm².
Ultimate Tensile Strength = 430N/mm². Elongation = 23%

Spherical Washer

Ductile Iron to BS EN1563 Symbol EN-GJS-450-10

Coatings

Body - Rilsan Nylon II

Bolts and Anti-Rotation Nuts - Silver Sheraplex

Spherical Washer - Galvanised

Every effort has been made to ensure that the information contained in this publication is accurate at the time of publishing. Crane Ltd assumes no responsibility or liability for typographical errors or omissions or for any misinterpretation of the information within the publication and reserves the right to change without notice.