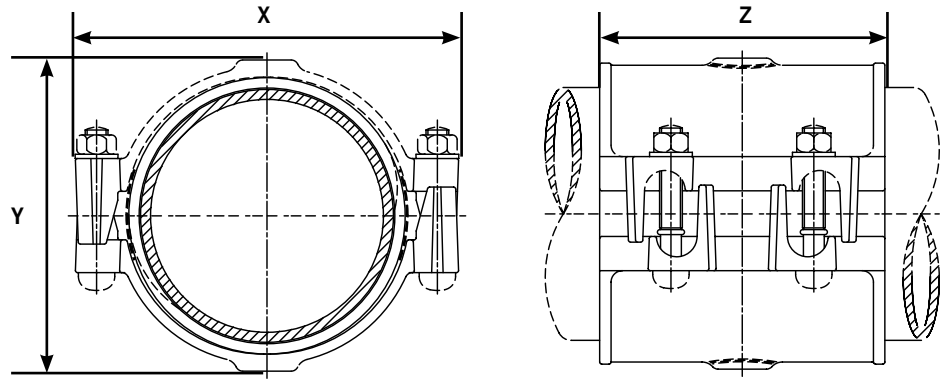


# EasiClamp & EasiTap D&T Boss

## Specifications



## EasiClamp & EasiTap D&T Boss

Nominal Diameter		OD Range		Dimensions			Bolt Size No.-Dia x Length	Weight (kg)	Outlet BSP Threaded Size
		Min (mm)	Max (mm)	X (mm)	Y (Max) (mm)	Z (mm)			
2"	DN50	66.0	75.0	150	110	200	4-M12 x 65mm	4.1	3/4"
2 1/2"	DN65	75.0	84.0	159	119	200	4-M12 x 65mm	4.4	3/4"
3"	DN80	92.3	103.0	184	145	200	4-M16 x 95mm	4.9	3/4"
4"	DN100	115.0	125.6	211	167	200	4-M16 x 95mm	6.0	1/2", 3/4" or 1"
5"	DN125	141.0	153.9	239	182	200	4-M16 x 95mm	7.5	3/4" or 1"
6"	DN150	166.0	181.2	267	217	200	4-M16 x 95mm	8.3	3/4" or 1"
7"	DN175	200.0	210.0	296	238	200	4-M16 x 95mm	9.0	3/4" or 1"
8"	DN200	216.5	226.0	313	269	200	4-M16 x 95mm	9.5	1"
8"	DN200	230.2	243.5	328	281	200	4-M16 x 95mm	10.8	3/4" or 1"
9"	DN225	243.0	267.0	362	307	212	4-M16 x 120mm	13.6	3/4" or 1"
10"	DN250	269.0	294.0	395	322	250	6-M16 x 120mm	18.5	1/2", 3/4" or 1"
12"	DN300	323.0	349.0	450	387	300	8-M16 x 120mm	25.2	1/2", 3/4" or 1"

## Materials & Relevant Standards

### Housing

Tapped Housing - Ductile Iron to BS EN 1563  
SYMBOL EN-GJS-450-10

Plain Housing - Ductile Iron to BS EN 1563  
SYMBOL EN-GJS-450-10

### Bridging Plate

Stainless Steel to BS1449: Part 2 Grade 304S15 2B Finish

### Gasket

BS EN681-1 WRAS Approved 60 IRHD

### Approvals

All water contact materials are WRAS approved for use with potable water

### Bolts/Bolt Torque/Spanner Size

Standard - Steel to BS EN ISO 898-1 Property Class 4.8

Option - Stainless Steel to BS EN ISO3506-1 Grade A2 Property Class 70

M12 = 55 to 65Nm / A/F 19mm

M16 = 95 to 110Nm / A/F 24mm

Nuts -

Standard - Steel to BS 4190 Grade 4

Option - Stainless Steel to BS EN ISO3506-2 Grade A4 Property Class 80

Washers -

Standard - Stainless Steel to BS 1449:Part 2 Grade 304 S15

Option - Stainless Steel to BS EN ISO3506-1 Grade A2 Property Class 50

### Coating

Tapped Housing - Rilsan Nylon 11 to WIS 4-52-01 (Part1)

Plain Housing - Rilsan Nylon 11 to WIS 4-52-01 (Part1)

Bolts & Nuts - Sheraplex to WIS 4-52-03

Every effort has been made to ensure that the information contained in this publication is accurate at the time of publishing. Crane Ltd assumes no responsibility or liability for typographical errors or omissions or for any misinterpretation of the information within the publication and reserves the right to change without notice.