

UltraGrip Support Liner For PE & PVC Pipes

Specifications

Support Liner - Standard - 1mm thickness

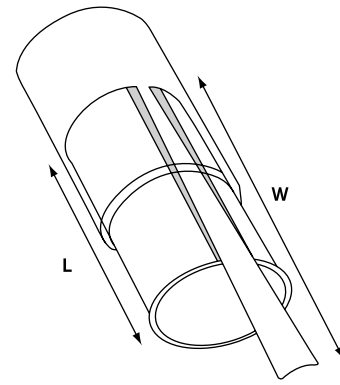
Pipe OD	Insert length L (mm)	SDR Rating	Wedge Length W (mm)
63	130	SDR 13, 6	220
75	130	SDR 11	220
90	130	SDR 17	220
90	130	SDR 13, 6	220
90	130	SDR 11	220
110	150	SDR 17	220
110	150	SDR 13, 6	220
110	150	SDR 11	220
125	150	SDR 17	220
125	150	SDR 11	220
140	150	SDR 11	220
160	175	SDR 17	220
160	175	SDR 13, 6	220
160	175	SDR 11	220
180	175	SDR 17	220
180	175	SDR 11	220

Support Liner - Standard - 2mm thickness

Pipe OD	Insert length L (mm)	SDR Rating	Wedge Length W (mm)
200	180	SDR 17	220
200	180	SDR 11	220
225	180	SDR 17	220
225	180	SDR 11	220
250	180	SDR 11	220
280	200	SDR 17	220
280	200	SDR 13, 6	220
280	200	SDR 11	220
315	200	SDR 17	220
315	200	SDR 11	220
355	200	SDR 17	220
355	200	SDR 11	220
400	200	SDR 11	220
400	200	SDR 17	220

Support Liner - Standard - 3mm thickness

Pipe OD	Insert length L (mm)	SDR Rating	Wedge Length W (mm)
450	240	SDR 11	300
450	240	SDR 17	300
500	240	SDR 11	300
500	240	SDR 17	300
560	240	SDR 11	300
560	240	SDR 17	300
630	240	SDR 11	300
630	240	SDR 17	300
710	240	SDR 11	300
710	240	SDR 17	300



Materials

Stainless steel

ASTM, AISI 304

Note: The use of UltraGrip on PVC pipes with wall thickness above Class 4 of DIN8062 does not require the use of a support liner. However, for all other classes of PVC pipes, please contact the Viking Johnson Technical Department with details on your pipe Outside Diameter and wall thickness to receive availability of the liner. Minimum order quantities may apply. To negate the use of a support liner, AquaFast can be used for metric PVC pipe connections.