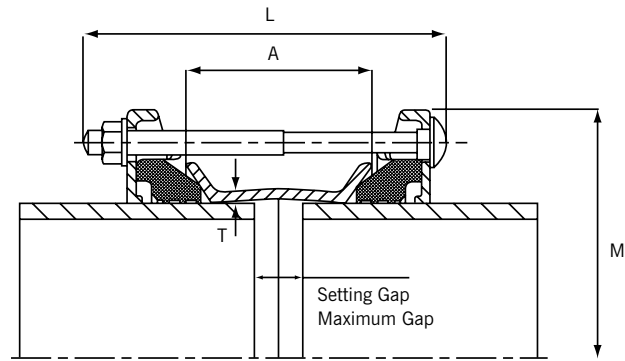


# MaxiFit & MaxiFit Xtra Couplings & End Caps

## Specifications

Working Pressure = 16bar (water)  
6bar (gas)



## Coupling

### Coupling - Standard Sleeve (MaxiFit)

Nominal Size (mm)	Size Range (mm)		Diameter (mm)	Overall Length (mm)		Sleeve Length x Thickness (A) x (T)		Setting Gap (mm)		Bolts No.-Dia x Length	Gasket Mould No.	Weight (kg)	MaxiCap Available	Maximum Threaded Outlet	MaxiFit Plus Available
	Min	Max		M	L	Min	Max								
DN40	47.9	59.5	149.5	190.0	100.0 x 4.5	20.0	40.0	2-M12 x 180	1637	3.1					
DN50	57.0	74.0	154.5	190.0	95.0 x 4.5	20.0	40.0	4-M12 x 180	12392/1	3.0	✓	1"	✓		
DN65	63.0	85.0	173.5	190.0	95.0 x 4.5	20.0	40.0	4-M12 x 180	12392/2	3.6	✓	1"	✓		
DN80	85.0	107.0	195.5	190.0	95.0 x 4.5	20.0	40.0	4-M12 x 180	12392/3	4.1	✓	2"	✓		
DN100	107.0	132.0	224.5	190.0	95.0 x 4.5	20.0	40.0	4-M12 x 180	12392/4	5.0	✓	2"	✓		
DN125	132.0	158.0	254.5	190.0	95.0 x 5.0	20.0	40.0	4-M12 x 180	12392/6	6.1	✓	2"	✓		
DN150	158.0	184.0	280.5	190.0	95.0 x 5.0	20.0	40.0	4-M12 x 180	12392/7	7.0	✓	2"	✓		
DN175	189.0	212.0	306.5	230.0	130.0 x 5.0	25.0	50.0	4-M12 x 220	12392/9	9.4	✓	2"			
DN200	218.0	244.0	342.5	230.0	130.0 x 5.0	25.0	50.0	4-M12 x 220	12392/10	10.9	✓	2"			
DN225	243.0	269.0	367.5	230.0	130.0 x 5.0	25.0	50.0	6-M12 x 220	12392/11	12.4	✓	2"			
DN250	266.0	295.0	399.5	230.0	130.0 x 5.0	25.0	50.0	6-M12 x 220	12392/12	14.6	✓	2"			
DN300	315.0	349.0	462.5	230.0	130.0 x 5.0	25.0	50.0	8-M12 x 220	12392/14	19.4	✓	2"			

### Coupling - Long Sleeve (MaxiFit Xtra)

DN50	57.0	74.0	154.5	285.0	200.0 x 5.5	20.0	140.0	4-M12 x 275	12392/1	4.6	✓	1"	
DN65	63.0	85.0	173.5	285.0	190.0 x 5.5	20.0	130.0	4-M12 x 275	12392/2	5.2	✓	1"	
DN80	85.0	107.0	195.5	285.0	200.0 x 5.5	20.0	140.0	4-M12 x 275	12392/3	6.3	✓	2"	
DN100	107.0	132.0	224.5	285.0	190.0 x 5.5	20.0	130.0	4-M12 x 275	12392/4	7.2	✓	2"	
DN125	132.0	158.0	254.5	285.0	190.0 x 6.0	20.0	130.0	4-M12 x 275	12392/6	9.0	✓	2"	
DN150	158.0	184.0	280.5	285.0	190.0 x 6.0	20.0	130.0	4-M12 x 275	12392/7	10.3	✓	2"	
DN175	189.0	212.0	306.5	285.0	190.0 x 6.0	25.0	110.0	4-M12 x 275	12392/9	12.1	✓	2"	
DN200	218.0	244.0	342.5	285.0	190.0 x 6.0	25.0	110.0	4-M12 x 275	12392/10	14.1	✓	2"	
DN225	243.0	269.0	367.5	350.0	250.0 x 6.0	25.0	165.0	6-M12 x 340	12392/11	18.6	✓	2"	
DN250	266.0	295.0	399.5	350.0	250.0 x 6.0	25.0	165.0	6-M12 x 340	12392/12	21.4	✓	2"	
DN300	315.0	349.0	462.5	350.0	240.0 x 6.0	25.0	155.0	8-M12 x 340	12392/14	27.0	✓	2"	

## Materials & Relevant Standards

### End Ring and Adaptor Body/Centre Sleeve

Ductile Iron to BS EN 1563 Symbol EN GJS-450-10

### Gasket

EPDM compound Grade E to BS EN 681-1, Type WA, WC

Nitrile compound to Grade G BS EN 682, Type G

### Tee Bolts/Bolts

Steel to BS EN ISO 898-1 Property Class 4.8

### Bolt Torque/Spanner

Bolt torque 55-65Nm, Spanner size A/F 19mm

### Bolts

Standard - Steel to BS EN ISO 898-1: property class 4.8

Option - Stainless Steel to BS EN ISO 3506-1: grade A4 property class 50

Nuts/Washers

Nuts

Standard - Steel to BS EN 4190 Grade 4

Option - Stainless Steel to BS EN ISO 3506-2: grade A4 property class 80

Every effort has been made to ensure that the information contained in this publication is accurate at the time of publishing. Crane Ltd assumes no responsibility or liability for typographical errors or omissions or for any misinterpretation of the information within the publication and reserves the right to change without notice.