

Marine Couplings

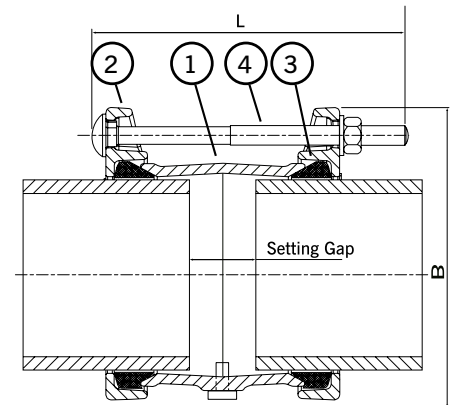
Specifications

Marine Couplings

Bolt torque 55-65Nm
 Working Pressure As noted in table
 (Test Pressure = 1.5 x W.P.)

Consult relevant technical literature for full details on product.

1 = Centre Sleeve
 2 = End Ring
 3 = Gasket
 4 = Bolts



Marine Couplings DO NOT resist end load due to the internal pressure
 - adequate external restraint must be provided to prevent pipe pull out.

Pipe OD (mm)	W.P. (bar)	No. Plugs	End Ring OD B (mm)	L (mm)	Bolt Size No.-Dia x Length	Setting gap		Gasket Mould No.	Weight (kg)
						Min	Max		
047.9 - 051.3	46.6	1 Plug	136	188	2-M12 x 180	30	40	12477/41	2.22
059.5 - 063.3	46.6	1 Plug	148	188	2-M12 x 180	30	40	12477/1	2.51
075.3 - 079.1	46.6	1 Plug	164	188	2-M12 x 180	30	40	12477/5	2.89
088.1 - 091.9	46.6	1 Plug	177	188	4-M12 x 180	30	40	12477/7	3.81
107.2 - 111.0	46.6	1 Plug	196	188	4-M12 x 180	30	40	12477/12	4.26
113.5 - 120.2	46.6	1 Plug	205	188	4-M12 x 180	30	40	12477/15	4.48
138.9 - 142.7	44.0	1 Plug	228	188	4-M12 x 180	30	40	12477/19	5.02
158.2 - 162.0	38.8	1 Plug	254	188	4-M12 x 180	30	40	12477/21	6.32
167.5 - 172.3	36.9	1 Plug	264	188	4-M12 x 180	30	40	12477/24	6.59
192.2 - 196.7	32.2	2 Plug	292	188	4-M12 x 180	30	40	12477/26	8.06
218.3 - 224.4	35.8	2 Plug	319	188	4-M12 x 180	30	40	12477/29	8.89
272.2 - 276.5	34.8	2 Plug	372	188	6-M12 x 180	30	40	12477/34	11.15
323.1 - 328.6	29.5	2 Plug	424	188	6-M12 x 180	30	40	12477/37	12.76
355.6	23.2	2 Plug	446	243	6-M12 x 235	35	50	J51LS	19.60
406.4	27.2	2 Plug	497	243	8-M12 x 235	35	50	J53LS	22.40
457.0	24.2	3 Plug	548	243	8-M12 x 235	35	50	J55LS	24.90
508.0	27.4	3 Plug	598	243	10-M12 x 235	35	50	J57LS	27.80
560.0	24.9	3 Plug	649	243	10-M12 x 235	35	50	J59LS	30.20
610.0	22.9	3 Plug	700	243	10-M12 x 235	35	50	J60LS	32.70
660.0	24.3	3 Plug	751	243	12-M12 x 235	35	50	J61LS	35.50
711.0	22.6	3 Plug	802	243	12-M12 x 235	35	50	J63LS	38.00

Materials & Relevant Standards

Centre Sleeve and End Rings

Ductile Iron to BS EN1563 Symbol EN-GJS-450-10
 or Steel to BS EN10025-2 Grade S275JR

Gaskets

EPDM to BS EN681-1, TYPE WA, WC
 Nitrile to BS EN682 Type G
 Other grades are available
 - contact Viking Johnson for details

Bolts

Steel to BS EN ISO 898-1 property class 4.8

Nuts/Washers/Locating Plugs

Nuts - Steel to BS EN 20898-2 property class 8
 Washer - Stainless Steel to BS1449:Part 2 GRADE 304S15
 Locating Plugs - Steel to BS970: Part 3: Grade 230M07

Coating

Centre sleeve / End Ring / Bolts / Nuts
 - Galvanised
 Locating Plug - Zn10

Options

NBR Gasket without removable plugs
 EPDM Gasket with removable plugs
 EPDM Gasket without removable plugs

Flange adaptors available on request

Every effort has been made to ensure that the information contained in this publication is accurate at the time of publishing. Crane Ltd assumes no responsibility or liability for typographical errors or omissions or for any misinterpretation of the information within the publication and reserves the right to change without notice.