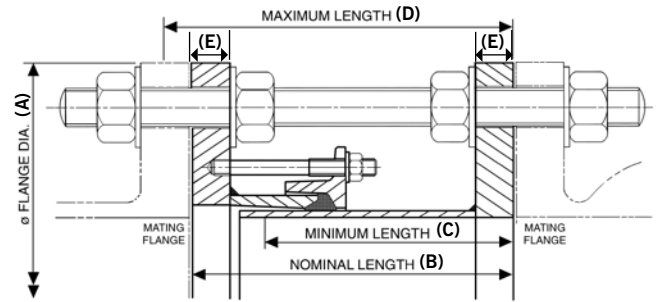


Dismantling Joint 4" to 40" AWWA (Class D)

Specifications

Note: Maximum Longitudinal Adjustment
= Maximum Length – Minimum Length



Dismantling Joint

Flange Details				Flange To Flange Details			Tie Rod Details				
Nom	Drilling	Flange Thickness	Flange OD	Nominal Length	Minimum Length	Maximum Length	Tie Rod Dia x Length	H.T Zinc Plated Steel H.T Steel BS4882 Grade MB7 Yield 725N/mm ²		Stainless Steel Class 70 Yield 450N/mm ²	
		E (mm)	A (mm)	B (mm)	C (mm)	D (mm)		No.	Total Weight of DJ (kg)	No.	Total Weight of DJ (kg)
4"	Class D	18	229	187	167	207	5/8" x 11 1/2"	4	14.2	4	14.2
6"	Class D	18	279	187	167	207	3/4" x 12"	4	19.7	4	19.7
8"	Class D	18	343	187	167	207	3/4" x 12"	4	27.5	4	27.5
10"	Class D	18	406	187	167	207	7/8" x 12"	4	35.4	4	35.4
12"	Class D	18	483	187	167	207	7/8" x 12 1/2"	4	48.3	4	48.3
14"	Class D	18	533	295	270	320	1" x 17 1/2"	4	69.3	4	69.3
16"	Class D	18	597	295	270	320	1" x 17 1/2"	4	79.7	4	79.7
18"	Class D	23	635	300	275	325	1 1/8" x 18 1/2"	4	98.3	4	98.3
20"	Class D	23	698	300	275	325	1 1/8" x 18 1/2"	5	115.0	5	115.0
24"	Class D	23	813	300	275	325	1 1/4" x 19"	5	143.0	5	143.0
28"	Class D	23	927	300	275	325	1 1/4" x 19"	7	176.0	7	176.0
30"	Class D	23	984	300	275	325	1 1/4" x 19"	7	189.0	7	189.0
32"	Class D	23	1060	300	275	325	1 1/2" x 20"	7	218.0	7	218.0
36"	Class D	25	1168	307	277	337	1 1/2" x 20 1/2"	8	278.0	8	278.0
40"	Class D	25	1289	307	277	337	1 1/2" x 20 1/2"	9	320.0	9	320.0

Materials & Relevant Standards

Flange Drilling

ANSI/AWWA C207-01

Fabricated Flange Adaptor

Body - Rolled Steel to BS EN 10025-2: Grade S275

End Rings - Ductile Iron to BS EN1563: Symbol EN-GJS-450-10
or Rolled Steel to BS EN 10025-2: Grade S275

Sleeve - Steel Tube to BS EN10255:

or Steel Tube to BS EN10216-1: Grade P265TR1

or Rolled Steel to BS EN 10025-2: Grade S275

or Rolled Steel to BS EN 10025-2: Grade S355 (depending on section)

Flanged Spigot

Flange - Rolled Steel to BS EN 10025-2: Grade S275

Spigot - Steel Tube to BS EN10255

or Steel Tube to BS EN10216-1: Grade P265TR1

or Rolled Steel to BS EN 10025-2: Grade S275

Gaskets

BS EN681-1:1996 Type WA WRAS listed

Steel Tie Rods & Nuts

Tie Rods - BS EN10269: Name 42CrMo4 (Yield 725N/mm²) (formerly B7)

Nuts - BS EN20898-2: Property Class 8.0

Stainless Steel Tie Rods & Nuts

Tie Rods - Stainless Steel to BS EN3506-1: Grade A2/A4 Property Class 70 (Yield 450N/mm²)

Nuts (sizes up to and including 2 1/4") 4 per Tie Rod - Stainless Steel to BS EN3506-2: Grade A2/A4 Property Class 80

Nuts (sizes over 2 1/4") 6 per Tie Rod - Stainless Steel to BS EN3506-2:2009 Grade A2/A4 Property Class 50

Studs/Nuts/Washers

Studs - Steel to BS EN ISO898-1: Property Class 4.8

Nuts - Steel to BS4190: Grade 4

Washers - Stainless Steel to BS1449:Part 2: Grade 304S15

Coatings (Others available on request)

Fabricated Flange Adaptor - Rilsan Nylon 11

Flanged Spigot - Rilsan Nylon 11

End Ring - Rilsan Nylon 11

Studs/Nuts - Sheraplex to WIS 4-52-03

Steel Tie Rods/Nuts - Zn3 Zinc coated

Every effort has been made to ensure that the information contained in this publication is accurate at the time of publishing. Crane Ltd assumes no responsibility or liability for typographical errors or omissions or for any misinterpretation of the information within the publication and reserves the right to change without notice.