

Resilient Seated Wedge Gate Valve

Ductile Iron Resilient Seated Wedge Gate Valve to BS5163, suitable for use with water, neutral liquids and sewage up to 70°C and a maximum working pressure of 16 Bar.



- Ductile Iron Body, Bonnet and Wedge Core
- Size Range DN 50mm - DN 300mm
- To EN 1074 parts 1 and 2
- Face to Face in accordance with BS5163 and EN 558 series 3
- Flange Drilling to BS EN 1092-2 PN16
- 431 S29 Stainless Steel Non-Rising Spindle
- All Valves hydraulically tested to BS EN 1074 & BS EN 1171 cat 4
- Suitable for buried service
- WRAS Approved Product – Certificate Number 0605121

Main Features

- Cap Top as standard
- Ductile Iron Wedge totally encapsulated with WRAS Elastomer (Nitrile option available)
- Stem Sealing O-Rings replaceable under pressure
- WRAS Listed Fusion Bonded Epoxy coating, minimum thickness 250 micron
- Corrosion Resistant Construction
- Sealed Body / Bonnet bolts

Options

- Clockwise Closing or Anti-Clockwise Closing
- Nitrile Elastomer
- Handwheel
- Valve Position Indicator
- ISO flanged version for gearbox or actuator mounting
- Gearbox
- Powered Actuator

Tests

| |
|------------------|
| BS EN 1074 1 & 2 |
| Seat – 1.1 x PN |
| Body – 1.5 x PN |



For further information on all Viking Johnson products and services contact our Marketing Department.



VIKING JOHNSON

CRANE
A Crane Co. Company

www.vikingjohnson.com

- Tel: +44 (0)1462 443322
- Fax: +44 (0)1462 443311
- info@vikingjohnson.com

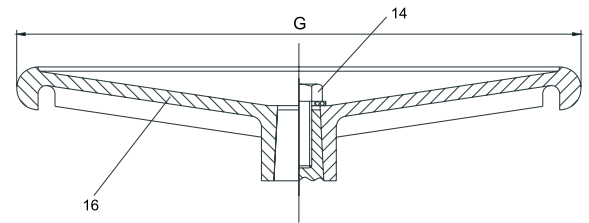
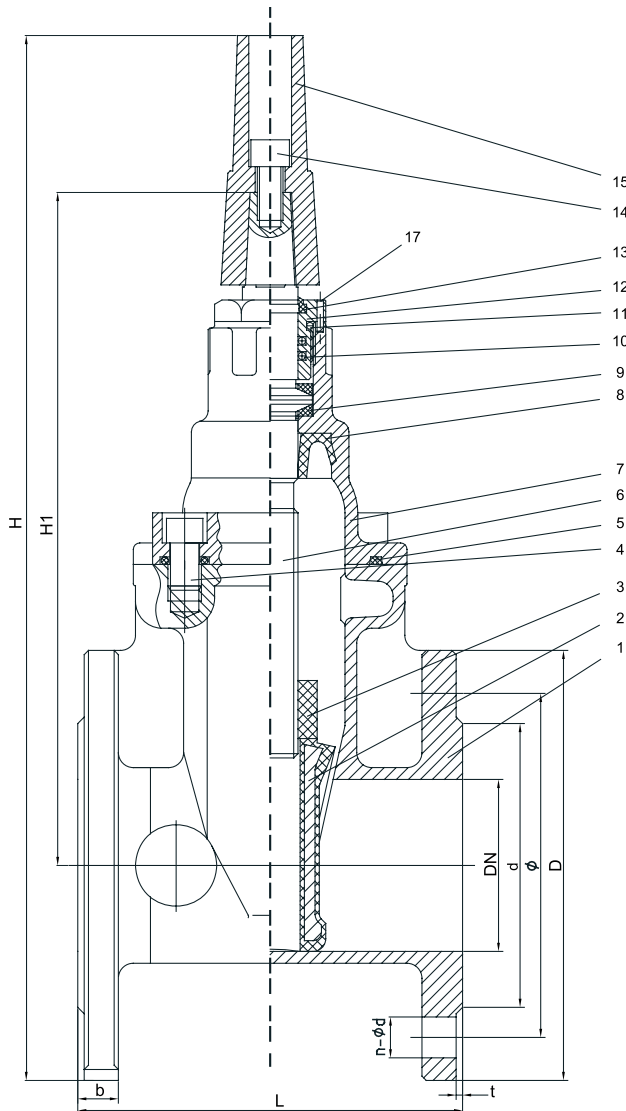
46-48 Wilbury Way, Hitchin, Hertfordshire, SG4 0UD. United Kingdom

New Product

Resilient Seated Wedge Gate Valve

Ductile Iron Resilient Seated Wedge Gate Valve to BS5163, suitable for use with water, neutral liquids and sewage up to 70°C and a maximum working pressure of 16 Bar.

WRAS
APPROVED
PRODUCT



| No | Item | Quantity | Material |
|----|---------------|----------|--------------------------------------|
| 17 | Pin | 1 | Stainless Steel A2 |
| 16 | Handwheel | 1 | Ductile Iron QT450-12 to EN-GJS-450 |
| 15 | Stem Cap | 1 | Ductile Iron QT450-12 to EN-GJS-450 |
| 14 | Capscrew/Bolt | 1 | Stainless Steel A2 |
| 13 | Wiper Ring | 1 | EPDM to BS EN 681 |
| 12 | Gland Bush | 1 | DZR Brass to BS EN 12165 CW602N |
| 11 | O-Ring | 1 | EPDM to BS EN 681 |
| 10 | O-Rings | 2 | EPDM to BS EN 681 |
| 9 | Washer | 1 | PTFE |
| 8 | Seal | 1 | EPDM to BS EN 681 |
| 7 | Bonnet | 1 | Ductile Iron QT450-12 to EN-GJS-450 |
| 6 | Stem | 1 | Stainless Steel 431 S29 |
| 5 | Bonnet Gasket | 1 | EPDM to BS EN 681 |
| 4 | Capscrews | 4 | Stainless Steel A2 |
| 3 | Stem Nut | 1 | DZR Brass to BS EN 12165 CW602N |
| 2 | Wedge | 1 | EPDM Encapsulated Ductile Iron Wedge |
| 1 | Body | 1 | Ductile Iron QT450-12 to EN-GJS-450 |

BS5163 RESILIENT SEATED GATE VALVE

| DN | L | n - φd | D | φ | d | b | t | H | H1 | G |
|-----|-----|----------|-----|-----|-----|------|---|------|-----|------|
| 50 | 178 | 4 - φ19 | 165 | 125 | 99 | 19 | 3 | 426 | 269 | φ200 |
| 65 | 190 | 4 - φ19 | 185 | 145 | 118 | 19 | 3 | 467 | 300 | φ200 |
| 80 | 203 | 8 - φ19 | 200 | 160 | 132 | 19 | 3 | 514 | 336 | φ260 |
| 100 | 229 | 8 - φ19 | 220 | 180 | 156 | 19 | 3 | 547 | 359 | φ260 |
| 125 | 254 | 8 - φ19 | 250 | 210 | 184 | 19 | 3 | 634 | 424 | φ375 |
| 150 | 267 | 8 - φ19 | 285 | 240 | 211 | 19 | 3 | 669 | 441 | φ375 |
| 200 | 292 | 12 - φ23 | 340 | 295 | 266 | 20 | 3 | 801 | 546 | φ375 |
| 250 | 330 | 12 - φ28 | 400 | 355 | 319 | 22 | 3 | 927 | 637 | φ420 |
| 300 | 356 | 12 - φ28 | 455 | 410 | 370 | 24.5 | 4 | 1036 | 719 | φ520 |

For further information on all Viking Johnson products and services contact our Marketing Department.



● Tel: +44 (0)1462 443322
 ● Fax: +44 (0)1462 443311
 ● info@vikingjohnson.com
 46-48 Wilbury Way, Hitchin, Hertfordshire,
 SG4 0UD. United Kingdom

www.vikingjohnson.com