

1 Part Clamps

OD Range (mm)	A (mm)	B (mm)	Max Outlet Size*	Working** Pressure (bar)		Clamp Length***															
						150 (mm)		200 (mm)		250 (mm)		300 (mm)		400 (mm)		500 (mm)					
						BSP	Water	Gas	Bolt details	Weight (kg)	Bolt details	Weight (kg)	Bolt details	Weight (kg)	Bolt details	Weight (kg)	Bolt details	Weight (kg)	Bolt details	Weight (kg)	
44 - 48	141	77	1.25" BSP	24.0	4.0	2 - M12x135	1.13	2 - M12x135	1.35	3 - M12x135	1.89	3 - M12x135	2.10								
48 - 52	143	82	1.25" BSP	24.0	4.0	2 - M12x135	1.15	2 - M12x135	1.37	3 - M12x135	1.93	3 - M12x135	2.14								
54 - 58	146	88	1.5" BSP	24.0	4.0	2 - M12x135	1.18	2 - M12x135	1.41	3 - M12x135	1.98	3 - M12x135	2.20								
58 - 64	148	92	1.5" BSP	24.0	4.0	2 - M12x135	1.20	2 - M12x135	1.44	3 - M12x135	2.01	3 - M12x135	2.24								
60 - 67	149	94	1.5" BSP	24.0	4.0	2 - M12x135	1.21	2 - M12x135	1.45	3 - M12x135	2.03	3 - M12x135	2.26								
63 - 70	151	97	1.5" BSP	24.0	4.0	2 - M12x135	1.23	2 - M12x135	1.47	3 - M12x135	2.05	3 - M12x135	2.29								
68 - 76	153	102	1.5" BSP	24.0	4.0	2 - M12x135	1.25	2 - M12x135	1.51	3 - M12x135	2.09	3 - M12x135	2.34								
75 - 83	157	109	1.5" BSP	24.0	4.0	2 - M12x135	1.29	2 - M12x135	1.55	3 - M12x135	2.15	3 - M12x135	2.41								
82 - 89	160	116	1.5" BSP	20.0	4.0	2 - M12x135	1.36	2 - M12x135	1.60	3 - M12x135	2.21	3 - M12x135	2.48								
87 - 96	163	121	1.5" BSP	20.0	4.0	2 - M12x135	1.38	2 - M12x135	1.63	3 - M12x135	2.25	3 - M12x135	2.53	4 - M12x135	3.38						
95 - 105	167	129	2.0" BSP	20.0	4.0	2 - M12x135	1.49	2 - M12x135	1.77	3 - M12x135	2.42	3 - M12x135	2.73	4 - M12x135	3.65						
102 - 112	170	136	2.0" BSP	20.0	4.0	2 - M12x135	1.54	2 - M12x135	1.83	3 - M12x135	2.49	3 - M12x135	2.83	4 - M12x135	3.78						
113 - 123	176	147	2.0" BSP	20.0	4.0	2 - M14x135	1.67	2 - M14x135	1.98	3 - M14x135	2.70	3 - M14x135	3.05	4 - M14x135	4.07						
120 - 130	179	154	2.0" BSP	16.0	4.0	2 - M14x135	1.71	2 - M14x135	2.09	3 - M14x135	2.84	3 - M14x135	3.21	4 - M14x135	4.29						
132 - 142	185	166	2.0" BSP	16.0	4.0			2 - M14x135	2.17	3 - M14x135	2.94	3 - M14x135	3.34	4 - M14x135	4.47						
135 - 145	187	169	2.0" BSP	16.0	4.0			2 - M14x135	2.19	3 - M14x135	2.97	3 - M14x135	3.37	4 - M14x135	4.51						
147 - 157	193	181	2.0" BSP	16.0	4.0			2 - M14x135	2.28	3 - M14x135	3.08	3 - M14x135	3.50	4 - M14x135	4.68						
151 - 161	195	185	2.0" BSP	16.0	4.0			2 - M14x135	2.31	3 - M14x135	3.11	3 - M14x135	3.54	4 - M14x135	4.73						
160 - 170	199	194	2.0" BSP	16.0	4.0			2 - M14x135	2.39	3 - M14x135	3.22	3 - M14x135	3.67	4 - M14x135	4.91						
167 - 178	203	201	2.0" BSP	16.0	4.0			2 - M14x135	2.44	3 - M14x135	3.28	3 - M14x135	3.75	4 - M14x135	5.00						
176 - 187	207	210	2.0" BSP	16.0	4.0			2 - M14x135	2.50	3 - M14x135	3.36	3 - M14x135	3.84	4 - M14x135	5.13						
186 - 196	212	220	2.0" BSP	16.0	4.0			2 - M14x135	2.58	3 - M14x135	3.45	3 - M14x135	3.95	4 - M14x135	5.27						
193 - 203	216	227	2.0" BSP	16.0	4.0			2 - M14x135	2.63	3 - M14x135	3.51	3 - M14x135	4.02	4 - M14x135	5.37						
200 - 210	219	234	2.0" BSP	16.0	4.0			2 - M14x135	2.88	3 - M14x135	3.83	3 - M14x135	4.40	4 - M14x135	5.88						
215 - 225	227	249	2.0" BSP	16.0	4.0			2 - M14x135	3.00	3 - M14x135	3.98	3 - M14x135	4.59	4 - M14x135	6.12	5 - M14x135	7.71				
219 - 229	229	253	2.0" BSP	16.0	4.0			2 - M14x135	3.03	3 - M14x135	4.02	3 - M14x135	4.64	4 - M14x135	6.19	5 - M14x135	7.79				
230 - 240	239	264	2.0" BSP	10.0	2.5					3 - M14x135	4.13	3 - M14x135	4.77	4 - M14x135	6.37	5 - M14x135	8.02				
237 - 247	246	271	2.0" BSP	10.0	2.5					3 - M14x135	4.21	3 - M14x135	4.86	4 - M14x135	6.48	5 - M14x135	8.16				
240 - 250	249	274	2.0" BSP	10.0	2.5					3 - M14x135	4.23	3 - M14x135	4.89	4 - M14x135	6.53	5 - M14x135	8.22				
250 - 260	259	284	2.0" BSP	10.0	2.5					3 - M14x135	4.33	3 - M14x135	5.01	4 - M14x135	6.69	5 - M14x135	8.42				
257 - 267	266	291	2.0" BSP	10.0	2.5					3 - M14x135	4.41	3 - M14x135	5.10	4 - M14x135	6.80	5 - M14x135	8.56				
261 - 271	270	295	2.0" BSP	10.0	2.5					3 - M14x135	4.45	3 - M14x135	5.15	4 - M14x135	6.87	5 - M14x135	8.64				
270 - 280	279	304	2.0" BSP	10.0	2.5					3 - M14x135	4.54	3 - M14x135	5.26	4 - M14x135	7.02	5 - M14x135	8.83				
280 - 291	289	314	2.0" BSP	10.0	2.5					3 - M14x135	4.64	3 - M14x135	5.38	4 - M14x135	7.18	5 - M14x135	9.03				
290 - 300	299	324	2.0" BSP	6.0	1.5					3 - M14x135	4.74	3 - M14x135	5.50	4 - M14x135	7.34	5 - M14x135	9.23				
300 - 310	308	333	2.0" BSP	6.0	1.5					3 - M14x135	4.84	3 - M14x135	5.62	4 - M14x135	7.50	5 - M14x135	9.43				
310 - 320	319	343	2.0" BSP	6.0	1.5					3 - M14x135	4.94	3 - M14x135	5.74	4 - M14x135	7.67	5 - M14x135	9.64				
315 - 325	328	349	2.0" BSP	6.0	1.5					3 - M14x135	5.00	3 - M14x135	5.81	4 - M14x135	7.75	5 - M14x135	9.74				
320 - 330	329	354	2.0" BSP	6.0	1.5					3 - M14x135	5.04	3 - M14x135	5.86	4 - M14x135	7.83	5 - M14x135	9.84				
330 - 340	339	364	2.0" BSP	6.0	1.5					3 - M14x135	5.15	3 - M14x135	5.99	4 - M14x135	7.99	5 - M14x135	10.04				
340 - 350	349	374	2.0" BSP	6.0	1.5					3 - M14x135	5.25	3 - M14x135	6.11	4 - M14x135	8.15	5 - M14x135	10.24				
350 - 360	359	384	2.0" BSP	6.0	1.5					3 - M14x135	5.35	3 - M14x135	6.23	4 - M14x135	8.32	5 - M14x135	10.45				

* This is the maximum size BSP outlet offered. Smaller outlets are available: 0.75", 1.0", 1.25", 1.5", 1.75", 2.0"

** The rated working pressures quoted above for water applications are based on worst case scenarios including circumferential cracks. When used to repair pipelines with less severe damage and dependant on the pipe surface, higher working pressures may be achieved from the stainless steel repair clamps.

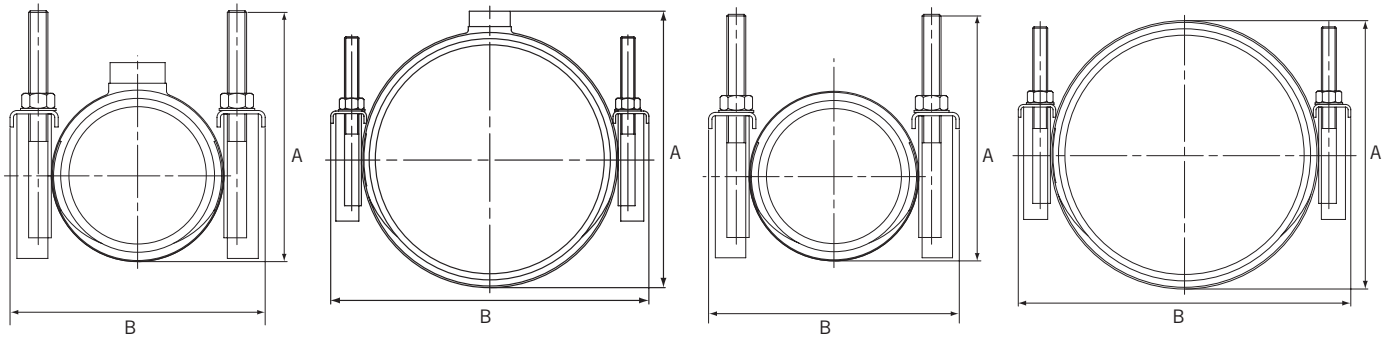
*** When using HandiRange products on PE pipe, consideration to clamp length must be given, please contact the Viking Johnson Marketing Department for more details.



46-48 WILBURY WAY
HITCHIN, HERTFORDSHIRE
SG4 0UD. UNITED KINGDOM

TELEPHONE: +44 (0)1462 443322
FAX: +44 (0)1462 443311
EMAIL: info@vikingjohnson.com

www.vikingjohnson.com



2 Part Clamps

OD Range (mm)	A (mm)	B (mm)	Clamp Length***										
			Max Outlet Size*	Working Pressure (bar)**		200 (mm)		250 (mm)		300 (mm)		400 (mm)	
				BSP	Water	Gas	Bolt details	Weight (kg)	Bolt details	Weight (kg)	Bolt details	Weight (kg)	Bolt details
88 - 110	163	122	1.0" BSP	20.0	4.0	4 - M12x135	2.50	6 - M12x135	3.76	6 - M12x135	4.14	8 - M12x135	5.69
108 - 128	173	142	1.5" BSP	20.0	4.0	4 - M12x135	2.67	6 - M12x135	3.97	6 - M12x135	4.40	8 - M12x135	6.03
113 - 133	176	147	1.5" BSP	20.0	4.0	4 - M14x135	2.77	6 - M14x135	4.09	6 - M14x135	4.54	8 - M14x135	6.22
120 - 140	179	154	1.5" BSP	20.0	4.0	4 - M14x135	2.81	6 - M14x135	4.15	6 - M14x135	4.61	8 - M14x135	6.31
130 - 150	184	164	1.5" BSP	16.0	4.0	4 - M14x135	2.88	6 - M14x135	4.24	6 - M14x135	4.72	8 - M14x135	6.46
140 - 160	189	173	2.0" BSP	16.0	4.0	4 - M14x135	2.95	6 - M14x135	4.33	6 - M14x135	4.82	8 - M14x135	6.59
150 - 170	194	184	2.0" BSP	16.0	4.0	4 - M14x135	3.07	6 - M14x135	4.47	6 - M14x135	4.99	8 - M14x135	6.82
159 - 180	199	192	2.0" BSP	16.0	4.0	4 - M14x135	3.13	6 - M14x135	4.55	6 - M14x135	5.09	8 - M14x135	6.95
168 - 189	203	201	2.0" BSP	16.0	4.0	4 - M14x135	3.19	6 - M14x135	4.63	6 - M14x135	5.18	8 - M14x135	7.07
170 - 190	204	204	2.0" BSP	16.0	4.0	4 - M14x135	3.21	6 - M14x135	4.65	6 - M14x135	5.21	8 - M14x135	7.11
175 - 195	207	208	2.0" BSP	16.0	4.0	4 - M14x135	3.24	6 - M14x135	4.69	6 - M14x135	5.26	8 - M14x135	7.17
190 - 210	214	224	2.0" BSP	16.0	4.0	4 - M14x135	3.35	6 - M14x135	4.82	6 - M14x135	5.42	8 - M14x135	7.39
205 - 225	222	239	2.0" BSP	16.0	4.0	4 - M14x135	3.67	6 - M14x135	5.22	6 - M14x135	5.90	8 - M14x135	8.03
210 - 230	224	243	2.0" BSP	16.0	4.0	4 - M14x135	3.71	6 - M14x135	5.27	6 - M14x135	5.95	8 - M14x135	8.10
216 - 238	227	250	2.0" BSP	16.0	4.0	4 - M14x135	3.76	6 - M14x135	5.33	6 - M14x135	6.03	8 - M14x135	8.20
220 - 242	229	254	2.0" BSP	10.0	2.5	4 - M14x135	3.79	6 - M14x135	5.37	6 - M14x135	6.08	8 - M14x135	8.27
240 - 260	248	273	2.0" BSP	10.0	2.5	4 - M14x135	3.95	6 - M14x135	5.57	6 - M14x135	6.32	8 - M14x135	8.59
243 - 263	252	277	2.0" BSP	10.0	2.5	4 - M14x135	3.98	6 - M14x135	5.60	6 - M14x135	6.36	8 - M14x135	8.64
255 - 275	264	289	2.0" BSP	10.0	2.5	4 - M14x135	4.07	6 - M14x135	5.73	6 - M14x135	6.65	8 - M14x135	8.83
272 - 292	280	306	2.0" BSP	10.0	2.5	4 - M14x135	4.21	6 - M14x135	5.90	6 - M14x135	6.71	8 - M14x135	9.11
282 - 302	290	315	2.0" BSP	6.0	1.5	4 - M14x135	4.29	6 - M14x135	6.00	6 - M14x135	6.83	8 - M14x135	9.27
295 - 315	304	329	2.0" BSP	6.0	1.5	4 - M14x135	4.40	6 - M14x135	6.13	6 - M14x135	6.99	8 - M14x135	9.48
307 - 327	316	341	2.0" BSP	6.0	1.5	4 - M14x135	4.50	6 - M14x135	6.25	6 - M14x135	7.14	8 - M14x135	9.68
315 - 335	323	348	2.0" BSP	6.0	1.5	4 - M14x135	4.56	6 - M14x135	6.33	6 - M14x135	7.23	8 - M14x135	9.80
319 - 339	328	353	2.0" BSP	6.0	1.5	4 - M14x135	4.59	6 - M14x135	6.38	6 - M14x135	7.28	8 - M14x135	9.88
322 - 344	330	355	2.0" BSP	6.0	1.5	4 - M14x135	4.62	6 - M14x135	6.40	6 - M14x135	7.32	8 - M14x135	9.92
333 - 353	342	367	2.0" BSP	6.0	1.5			6 - M14x135	6.52	6 - M14x135	7.45	8 - M14x135	10.10
341 - 361	350	375	2.0" BSP	6.0	1.5			6 - M14x135	6.60	6 - M14x135	7.55	8 - M14x135	10.23
365 - 385	374	399	2.0" BSP	5.0	1.25			6 - M14x135	6.84	6 - M14x135	7.84	8 - M14x135	10.62
396 - 416	405	430	2.0" BSP	5.0	1.25			6 - M14x135	7.16	6 - M14x135	8.22	8 - M14x135	11.13
410 - 430	419	444	2.0" BSP	4.9	1.22			6 - M14x135	7.30	6 - M14x135	8.39	8 - M14x135	11.35

* This is the maximum size BSP outlet offered. Smaller outlets are available: 0.75", 1.0", 1.25", 1.5", 1.75", 2.0"

** The rated working pressures quoted above for water applications are based on worst case scenarios including circumferential cracks. When used to repair pipelines with less severe damage and dependant on the pipe surface, higher working pressures may be achieved from the stainless steel repair clamps.

*** When using HandiRange products on PE pipe, consideration to clamp length must be given, please contact the Viking Johnson Marketing Department for more details.



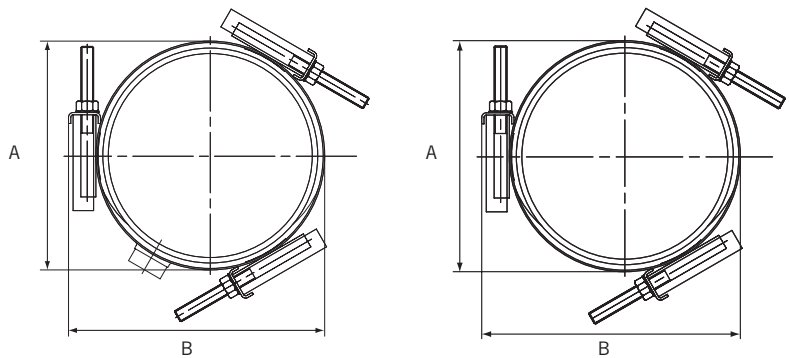
46-48 WILBURY WAY
HITCHIN, HERTFORDSHIRE
SG4 0UD. UNITED KINGDOM

TELEPHONE: +44 (0)1462 443322

FAX: +44 (0)1462 443311

EMAIL: info@vikingjohnson.com

www.vikingjohnson.com



3 Part Clamps

OD Range (mm)			Max Outlet Size* Working** pressure (bar)			Clamp Length***							
						300 (mm)		400 (mm)		500 (mm)		600 (mm)	
						Bolt details		Bolt details		Bolt details		Bolt details	
A (mm)	B (mm)	BSP	Water	Gas	No. x Dia x Length	Weight (kg)	No. x Dia x Length	Weight (kg)	No. x Dia x Length	Weight (kg)	No. x Dia x Length	Weight (kg)	
270 - 300	279	303	2.0" BSP	7.4	1.9	9 - M14x135	9.23	12 - M14x135	12.34	15 - M14x135	15.58	18 - M14x135	17.95
310 - 340	319	344	2.0" BSP	6.5	1.6	9 - M14x135	9.72	12 - M14x135	12.99	15 - M14x135	16.40	18 - M14x135	18.93
335 - 365	344	369	2.0" BSP	6.0	1.5	9 - M14x135	10.02	12 - M14x135	13.39	15 - M14x135	16.90	18 - M14x135	19.53
340 - 370	349	374	2.0" BSP	6.0	1.5	9 - M14x135	10.08	12 - M14x135	13.47	15 - M14x135	17.00	18 - M14x135	19.65
360 - 390	369	394	2.0" BSP	5.6	1.4	9 - M14x135	10.33	12 - M14x135	13.79	15 - M14x135	17.40	18 - M14x135	20.14
385 - 415	393	418	2.0" BSP	5.2	1.3	9 - M14x135	10.63	12 - M14x135	14.19	15 - M14x135	17.91	18 - M14x135	20.74
395 - 425	404	429	2.0" BSP	5.1	1.3	9 - M14x135	10.75	12 - M14x135	14.36	15 - M14x135	18.12	18 - M14x135	21.00
410 - 440	418	443	2.0" BSP	4.9	1.2	9 - M14x135	10.93	12 - M14x135	14.60	15 - M14x135	18.41	18 - M14x135	21.35
420 - 450	429	454	2.0" BSP	4.8	1.2	9 - M14x135	11.06	12 - M14x135	14.77	15 - M14x135	18.62	18 - M14x135	21.60
435 - 465	444	469	2.0" BSP	4.6	1.1	9 - M14x135	11.24	12 - M14x135	15.01	15 - M14x135	18.93	18 - M14x135	21.97
440 - 470	449	474	2.0" BSP	4.5	1.1	9 - M14x135	11.30	12 - M14x135	15.09	15 - M14x135	19.03	18 - M14x135	22.09
450 - 480	458	483	2.0" BSP	4.4	1.1	9 - M14x135	11.42	12 - M14x135	15.25	15 - M14x135	19.22	18 - M14x135	22.32
475 - 505	483	508	2.0" BSP	4.2	1.1	9 - M16x135	13.89	12 - M16x135	18.55	15 - M16x135	23.35	18 - M16x135	27.27
485 - 515	494	519	2.0" BSP	4.1	1.0	9 - M16x135	14.06	12 - M16x135	18.77	15 - M16x135	23.62	18 - M16x135	27.60
505 - 535	514	539	2.0" BSP	4.0	1.0	9 - M16x135	14.38	12 - M16x135	19.19	15 - M16x135	24.15	18 - M16x135	28.24
510 - 540	519	544	2.0" BSP	3.9	1.0	9 - M16x135	14.45	12 - M16x135	19.29	15 - M16x135	24.28	18 - M16x135	28.39
520 - 550	529	554	2.0" BSP	3.8	1.0	9 - M16x135	14.62	12 - M16x135	19.51	15 - M16x135	24.56	18 - M16x135	28.72
530 - 560	539	564	2.0" BSP	3.8	0.9	9 - M16x135	14.77	12 - M16x135	19.72	15 - M16x135	24.81	18 - M16x135	29.02
535 - 565	543	568	2.0" BSP	3.7	0.9	9 - M16x135	14.84	12 - M16x135	19.82	15 - M16x135	24.94	18 - M16x135	29.18
560 - 590	568	593	2.0" BSP	3.6	0.9	9 - M16x135	15.24	12 - M16x135	20.34	15 - M16x135	25.59	18 - M16x135	29.96
570 - 600	579	604	2.0" BSP	3.5	0.9	9 - M16x135	15.40	12 - M16x135	20.56	15 - M16x135	25.87	18 - M16x135	30.30
585 - 615	594	619	2.0" BSP	3.4	0.9	9 - M16x135	15.65	12 - M16x135	20.89	15 - M16x135	26.27	18 - M16x135	30.78
610 - 640	619	644	2.0" BSP	3.3	0.8	9 - M16x135	16.04	12 - M16x135	21.41	15 - M16x135	26.93	18 - M16x135	31.57
640 - 670	648	673	2.0" BSP	3.1	0.8	9 - M16x135	16.51	12 - M16x135	22.03	15 - M16x135	27.71	18 - M16x135	32.50
670 - 700	679	704	2.0" BSP	3.0	0.7	9 - M16x135	16.99	12 - M16x135	22.68	15 - M16x135	28.51	18 - M16x135	33.47
680 - 710	689	714	2.0" BSP	2.9	0.7	9 - M16x135	17.14	12 - M16x135	22.88	15 - M16x135	28.77	18 - M16x135	33.77

* This is the maximum size BSP outlet offered. Smaller outlets are available: 0.75", 1.0", 1.25", 1.5", 1.75", 2.0"

** The rated working pressures quoted above for water applications are based on worst case scenarios including circumferential cracks. When used to repair pipelines with less severe damage and dependant on the pipe surface, higher working pressures may be achieved from the stainless steel repair clamps.

*** When using HandiRange products on PE pipe, consideration to clamp length must be given, please contact the Viking Johnson Marketing Department for more details.



46-48 WILBURY WAY
HITCHIN, HERTFORDSHIRE
SG4 0UD. UNITED KINGDOM

TELEPHONE: +44 (0)1462 443322
FAX: +44 (0)1462 443311
EMAIL: info@vikingjohnson.com

www.vikingjohnson.com

HandiBand

Clamp length 3" or 6"
Working pressure 7 bar

Nominal Diameter	OD Range (mm)
0.50"	15.0 - 22.0
0.75"	26.0 - 30.0
1.00"	33.0 - 37.0
1.25"	42.0 - 45.0
1.50"	48.0 - 54.0
2.00"	60.0 - 64.0

Material Specification

HandiBand

Shell

Stainless Steel to BS1449:Part2:1993
Grade 304 / Steel No. 1.4301

Lugs

Whitehart malleable cast iron equivalent
to BS EN 1562 Grade ENGJMW-400-5

Studs/Nuts

Mild steel to BS EN ISO 898-1 Property class 4.6

Gasket

EPDM to BS EN681-1, TYPE WA, WC or
Nitrile to BS EN682:2002, Type G
60 IRHD moulded compound

HandiClamp & HandiTap

Shell, channel plate, bridging plate, lug plate & nut plate

STAINLESS STEEL to BS1449:Part 2:1983 GRADE 304S15

Gasket

EPDM to BS EN681-1, TYPE WA, WC or
Nitrile to BS EN682:2002, Type G
60 IRHD moulded compound

Studs

STAINLESS STEEL to BS EN ISO3506-1:1998
GRADE A2 PROPERTY CLASS 50

Nuts

STAINLESS STEEL to BS EN ISO 3506-2:1998
GRADE A4 Property CLASS 80

Washers

STAINLESS STEEL BS1449:PART 2:1983 GRADE 304S15

Bolt Torques

M12 = 55 - 65Nm
M14 = 70 - 85Nm
M16 = 95 - 120Nm



46-48 WILBURY WAY
HITCHIN, HERTFORDSHIRE
SG4 0UD. UNITED KINGDOM

TELEPHONE: +44 (0)1462 443322
FAX: +44 (0)1462 443311
EMAIL: info@vikingjohnson.com

www.vikingjohnson.com