

Versatile

EasiRange

EasiClamp, EasiTap, EasiTee & EasiCollar
A Rapid Solution for Pipe Repair & Tapping

NOW
Available With
Stainless Steel
Bolts

ENHANCED CORROSION
PROTECTION



PIONEERS IN PIPE SOLUTIONS

CRANE

BUILDING SERVICES & UTILITIES



Overview

The Simple, yet advanced repair solution

The Viking Johnson EasiRange has been developed to provide a comprehensive range of pipe repair and tapping products to serve the needs of today's water industry. The EasiRange of products includes EasiClamp, EasiTap, Remote EasyClamp, Remote EasiTap, Universal EasiTee, Ringseal EasiTee and EasiCollar.

Permanent Seal

EasiClamp, EasiTap, and EasiTee (Universal and Matt Seal) products guarantee a reliable, permanent seal even on badly corroded pipes. A unique feature of these products is Viking Johnson's 100% circumferential 'Waffle' gasket, which provides a leak tight seal and also caters for circumferential or longitudinal cracks. The gasket is constructed in EPDM, which is WRAS approved for use with potable water, ensuring a reliable and permanent leak tight solution with working pressure of 16bar and test pressure of 24bar. RingSeal EasiTee uses a twin seal gasket to provide a permanent seal at the point of tapping.

Minimise Stockholding

Wide tolerance range – Each fitting (EasiClamp, EasiTap and Universal EasiTee) will suit a number of popular pipe materials of the same nominal bore.

High Strength

EasiRange products (EasiClamp, EasiTap and Universal EasiTee) are constructed from ductile and/or malleable iron or steel half housings. The products will support and seal around the pipe for the full length of the body, ensuring that sealing effectiveness is maintained in all circumstances.

Ease of Installation

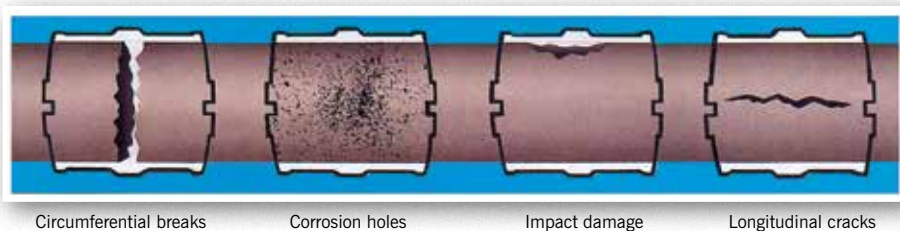
All products can be installed under pressure therefore there is no need for costly mains shut down or disruption to customers. EasiClamp and EasiTap products feature self-retaining bolts which reduces the potential loss of bolts during installation. Universal EasiTee products feature a unique 'swing over' bolt to aid installation. No specialist installation equipment is required and can be installed using simply a torque wrench to confirm correct bolt torque.



Viking Johnson introduces new Stainless Steel bolt option on EasiClamp & EasiTap.

Viking Johnson has introduced a new Stainless Steel bolt option on the established EasiClamp and EasiTap repair range. This will give the customer an enhanced corrosion protection and increase the longevity of the product.

Ideal For



Pipe Materials



EasiRange EasiClamp & EasiTap

Product Design Benefits

Corrosion Protection

All cast components are fully coated in Black Rilsan Nylon 11 which has excellent resistance to impact, abrasion, weathering and chemicals as well as good thermal stability and flexibility to accommodate for rough site handling.

High Strength

The strength of the ductile iron housings will provide permanent support and seal around the pipe.

Industry Testing

Viking Johnson products undergo intensive performance testing to ensure the strength and integrity of all products meet industry standards.

- ▶ Accelerated Ageing Tests (AAT) to verify 50 year design life expectancy.
- ▶ EasiRange has been tested on knurled and grooved pipe work to match typical pipe conditions found on many sites around the world.



Permanent Seal

The 100% 'Waffle' gasket provides a reliable and permanent leak tight seal even on circumferential or longitudinal cracks.

Enhanced Lifespan

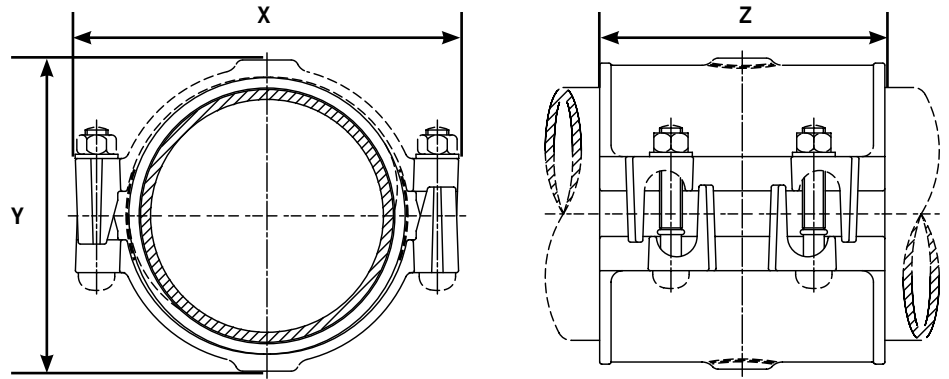
Sherplex coated bolts to WIS 4-52-03 & Stainless Steel bolts coated with dry film lubricant provides excellent corrosion resistance against degradation and maximizes long life

Customer Benefits

- ▶ Can be installed under pressure.
 - No costly mains shutdown
 - No disruption to customers
 - No dirty water complaints
- ▶ Enables easy repair in conditions where other pipes are in close proximity.
- ▶ A reliable and permanent leak tight seal on circumferential or longitudinal cracks.
- ▶ Available from DN50 to DN300.

EasiClamp & EasiTap D&T Boss

Specifications



EasiClamp & EasiTap D&T Boss

Nominal Diameter		OD Range		Dimensions			Bolt Size No.-Dia x Length	Weight (kg)	Outlet BSP Threaded Size
		Min (mm)	Max (mm)	X (mm)	Y (Max) (mm)	Z (mm)			
2"	DN50	66.0	75.0	150	110	200	4-M12 x 65mm	4.1	3/4"
2 1/2"	DN65	75.0	84.0	159	119	200	4-M12 x 65mm	4.4	3/4"
3"	DN80	92.3	103.0	184	145	200	4-M16 x 95mm	4.9	3/4"
4"	DN100	115.0	125.6	211	167	200	4-M16 x 95mm	6.0	1/2", 3/4" or 1"
5"	DN125	141.0	153.9	239	182	200	4-M16 x 95mm	7.5	3/4" or 1"
6"	DN150	166.0	181.2	267	217	200	4-M16 x 95mm	8.3	3/4" or 1"
7"	DN175	200.0	210.0	296	238	200	4-M16 x 95mm	9.0	3/4" or 1"
8"	DN200	216.5	226.0	313	269	200	4-M16 x 95mm	9.5	1"
8"	DN200	230.2	243.5	328	281	200	4-M16 x 95mm	10.8	3/4" or 1"
9"	DN225	243.0	267.0	362	307	212	4-M16 x 120mm	13.6	3/4" or 1"
10"	DN250	269.0	294.0	395	322	250	6-M16 x 120mm	18.5	1/2", 3/4" or 1"
12"	DN300	323.0	349.0	450	387	300	8-M16 x 120mm	25.2	1/2", 3/4" or 1"

Materials & Relevant Standards

Housing

Tapped Housing - Ductile Iron to BS EN 1563
SYMBOL EN-GJS-450-10

Plain Housing - Ductile Iron to BS EN 1563
SYMBOL EN-GJS-450-10

Bridging Plate

Stainless Steel to BS1449: Part 2 Grade 304S15 2B Finish

Gasket

BS EN681-1 WRAS Approved 60 IRHD

Approvals

All water contact materials are WRAS approved for use with potable water

Bolts/Bolt Torque/Spanner Size

Standard - Steel to BS EN ISO 898-1 Property Class 4.8

Option - Stainless Steel to BS EN ISO3506-1 Grade A2 Property Class 70

M12 = 55 to 65Nm / A/F 19mm

M16 = 95 to 110Nm / A/F 24mm

Nuts -

Standard - Steel to BS 4190 Grade 4

Option - Stainless Steel to BS EN ISO3506-2 Grade A4 Property Class 80

Washers -

Standard - Stainless Steel to BS 1449:Part 2 Grade 304 S15

Option - Stainless Steel to BS EN ISO3506-1 Grade A2 Property Class 50

Coating

Tapped Housing - Rilsan Nylon 11 to WIS 4-52-01 (Part1)

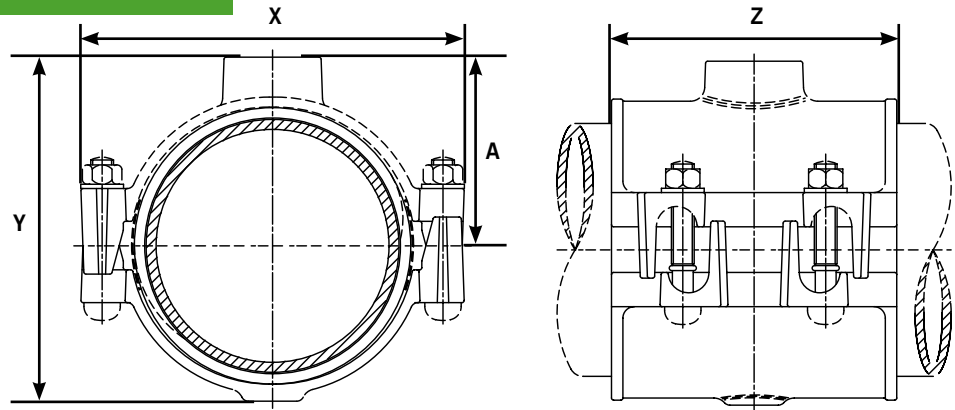
Plain Housing - Rilsan Nylon 11 to WIS 4-52-01 (Part1)

Bolts & Nuts - Sheraplex to WIS 4-52-03

Every effort has been made to ensure that the information contained in this publication is accurate at the time of publishing. Crane Ltd assumes no responsibility or liability for typographical errors or omissions or for any misinterpretation of the information within the publication and reserves the right to change without notice.

EasiTap - D&T Outlet

Specifications



EasiTap D&T Outlet

Nominal Diameter	OD Range		Dimensions				Bolt Size No.-Dia x Length	Weight (kg)	Outlet BSP Threaded Size
	Min (mm)	Max (mm)	X (mm)	Y (Max) (mm)	Z (mm)	A (mm)			
3"	92.3	103.0	184	173	200	92	4-M16 x 95mm	5.0	1 1/2 or 2" BSP
4"	115.0	125.6	211	195	200	102	4-M16 x 95mm	6.0	2" BSP
5"	141.0	153.9	239	210	200	120	4-M16 x 95mm	7.5	2" BSP
6"	166.0	181.2	267	245	200	130	4-M16 x 95mm	8.3	2" BSP
7"	200.0	210.0	296	266	200	146	4-M16 x 95mm	9.0	2" BSP
200	216.5	226.0	313	292	200	153	4-M16 x 95mm	10.0	2" BSP
8"	230.2	243.5	332	309	200	161	4-M16 x 95mm	10.8	2" BSP
9"	243.0	267.0	362	330	212	180	4-M16 x 120mm	13.7	2" BSP
10"	269.0	294.0	395	347	250	194	6-M16 x 120mm	18.7	2" BSP
12"	323.0	349.0	450	412	300	221	8-M16 x 120mm	25.4	2" BSP

Materials & Relevant Standards

Housing

Tapped Housing - Ductile Iron to BS EN 1563

SYMBOL EN-GJS-450-10

or Malleable Cast Iron to BS EN 1562

SYMBOL EN-GJMB-350-10

Plain Housing - Ductile Iron to BS EN 1563 SYMBOL EN-GJS-450-10

Bridging Plate

Stainless Steel to BS1449: Part 2 Grade 304S15 2B Finish

Gasket

Grade E, 60 IRHD EPDM to BS2494 W+D

Bolts/Bolt Torque/Spanner Size

Standard - Steel to BS EN ISO 898-1 Property Class 4.8

Option - Stainless Steel to BS EN ISO3506-1 Grade A2 Property Class 70

M16 = 95 to 110Nm / A/F 24mm

Nuts -

Standard - Steel to BS 4190 Grade 4

Option - Stainless Steel to BS EN ISO3506-2 Grade A4 Property Class 80

Washers -

Standard - Stainless Steel to BS 1449:Part 2 Grade 304 S15

Option - Stainless Steel to BS EN ISO3506-1 Grade A2 Property Class 50

Coating

Tapped Housing - Rilsan Nylon 11 to WIS 4-52-01 (Part1)

Plain Housing - Rilsan Nylon 11 to WIS 4-52-01 (Part1)

Bolts & Nuts - Sheraplex to WIS 4-52-03

Approvals

All water contact materials are WRAS approved for use with potable water

Every effort has been made to ensure that the information contained in this publication is accurate at the time of publishing. Crane Ltd assumes no responsibility or liability for typographical errors or omissions or for any misinterpretation of the information within the publication and reserves the right to change without notice.



Overview

A Safe & Quick Remote Solution to Pipe Repair & Tapping

The Remote EasiClamp and EasiTap products are an exciting enhancement of the proven EasiRange system. They can be installed from inside and outside the trench by a single operator in just a few minutes, delivering a quick, safe and permanent repair solution for damaged pipes at full operational pressure.

Improved Health & Safety

The major benefits of this innovative and patented repair solution include the ability to maintain continual water supply to customers, the minimising of health and safety risks to operatives and a significant reduction in installation costs, traffic disruption and spoil.

Award Winning

In the development of this revolutionary fitting, Viking Johnson worked closely with Balfour Beatty Utility Solutions to ensure the new clamp exceeded the requirements of both operators and water companies, winning the SBWWI innovation award in 2010. The clamp consists of two halves that are hinged, fully opening to permit quick and easy fitting on the pipe.

Two patented self-retaining bolts are used to tighten up the clamp which speeds up the repair process and minimises disruption to water supply.

The newly designed Remote EasiRange offers advantages not only to customers in the water industry but also to the general public and environment.

Permanent & Reliable Repair Solution

Designed in three popular sizes, the EasiClamp is available in DN80, DN100 and DN150. EasiTap is also available in these sizes and offers either a drilled and tapped BSP boss or 2" BSP threaded outlet. The "waffle" design gasket is constructed in EPDM which is WRAS approved for use with potable water ensuring a reliable and permanent leak tight seal with a working pressure of 16bar and test pressure of 24bar.

The range has been manufactured using the latest technology minimising raw material usage and is supplied in biodegradable packaging that ensures the fitting arrives on site free from any contamination.



EasiClamp

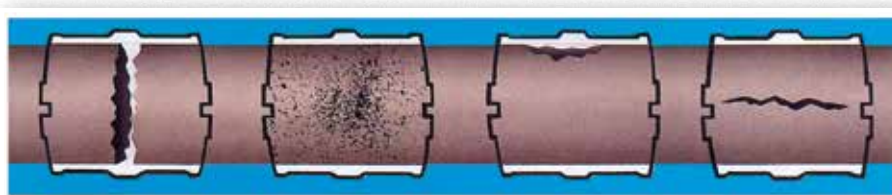


EasiTap: BSP Outlet



EasiTap: Drilled & Tapped BSP Boss

Ideal For



Circumferential breaks

Corrosion holes

Impact damage

Longitudinal cracks

Pipe Materials



Remote EasiClamp & EasiTap

Product Design Benefits

Corrosion Protection

All cast components are fully coated in Black Rilsan Nylon 11 which has excellent resistance to impact, abrasion, weathering and chemicals as well as good thermal stability and flexibility to accommodate for rough site handling.

Exceptional Grip

The two halves are hinged, fully opening to permit quick and easy fitting on the pipe. There are no pins which removes any risk from bimetallic corrosion.

High Strength

The strength of the ductile iron housings will provide permanent support and seal around the pipe.

Permanent Seal

The 100% 'Waffle' gasket provides a reliable and permanent leak tight seal even on circumferential or longitudinal cracks.

Self Locating Bolts

Patented self retaining bolts not only prevent the loss of components in the trench but also self locate allowing blind assembly. The double locking mechanism automatically locks into position once the product is fully wrapped around the pipe allowing the operator to use both hands to position over the leak.

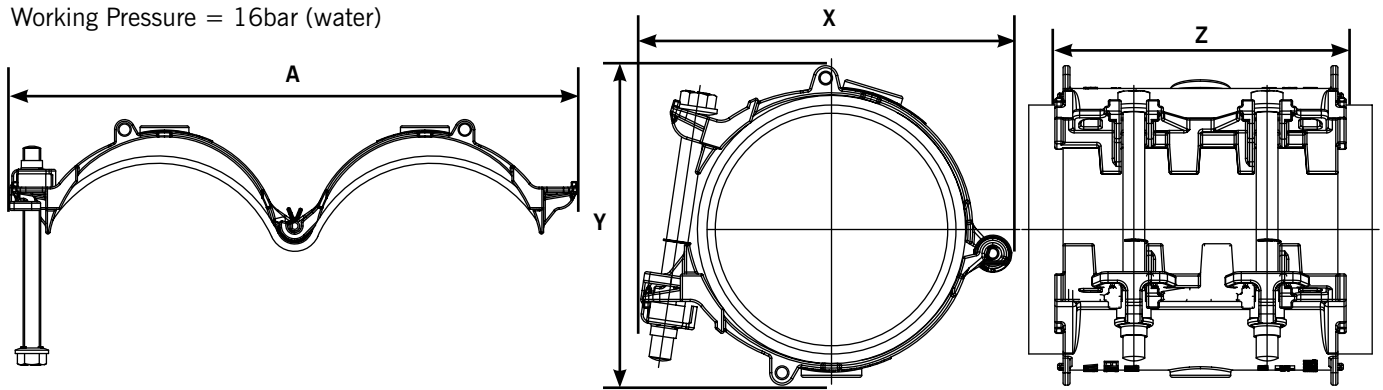
Pipe Repairs



Remote EasiClamp & EasiTap D&T Boss

Specifications

Working Pressure = 16bar (water)



Remote EasiClamp

Nominal Diameter	OD Range		Overall Dimensions				Bolt Size No.-Dia x Length	Gasket Mould No.	Weight (kg)
	Min (mm)	Max (mm)	X (mm)	Y (mm)	Z (mm)	A (mm)			
3"	92.3	103	182	175	212	347	2-M16 x 165	13094	4.8
4"	115	125.6	207	186	212	395	2-M16 x 165	13095	5.3
6"	166	181.2	264	233	212	512	2-M16 x 185	13096	6.9

Remote EasiTap D&T Boss

Nominal Diameter	OD Range		Overall Dimensions				Bolt Size No.-Dia x Length	Gasket Mould No.	Weight (kg)	Standard BSP Threaded Boss Size	Non Standard BSP Threaded Boss Size
	Min (mm)	Max (mm)	X (mm)	Y (mm)	Z (mm)	A (mm)					
3"	92.3	103	182	175	212	347	2-M16 x 165	13094	4.8	0.75" BSP	0.5" BSP
4"	115	125.6	207	186	212	395	2-M16 x 165	13095	5.3	1" BSP	0.5" BSP 0.75" BSP
6"	166	181.2	264	233	212	512	2-M16 x 185	13096	6.9	1" BSP	0.5" BSP 0.75" BSP

Materials & Relevant Standards

Housing

Ductile Iron to BS EN1563 Symbol EN-GJS-450-10

Gasket

BS EN681-1 for potable water applications (WRAS Approved) (60 IRHD)

Bridging Plate

Stainless Steel BS1449:PART 2 GRADE 304S15 2B Finish

Hinge Clip

Acetal M25-04 Natural (HOECHST)

Bolts/Spanner Size

Steel BS EN ISO898-1 Property Class 4.8 M16 / 24mm A/F

Bolt Torque

95 to 120Nm

Retaining Clip

Acetal M25-04 Natural (HOECHST)

Bolt Retainer

Acetal M25-04 Natural (HOECHST)

Anti-Rotation Nut

Cast or Machined Steel. Min Yield Strength = 275N/mm². Ultimate Tensile Strength = 430N/mm². Elongation = 23%

Spherical Washer

Ductile Iron to BS EN1563 Symbol EN-GJS-450-10

Coatings

Body - Rilsan Nylon II

Bolts and Anti-Rotation Nuts - Silver Sheraplex

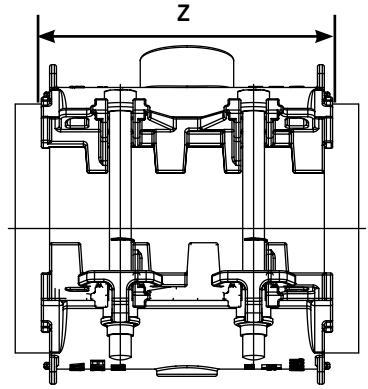
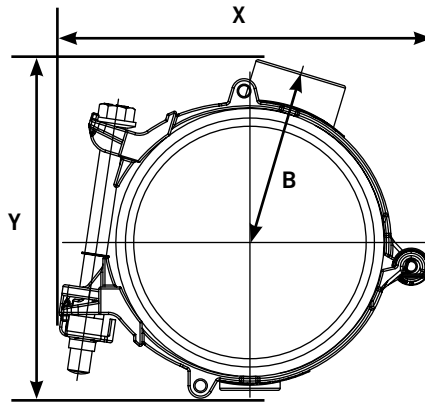
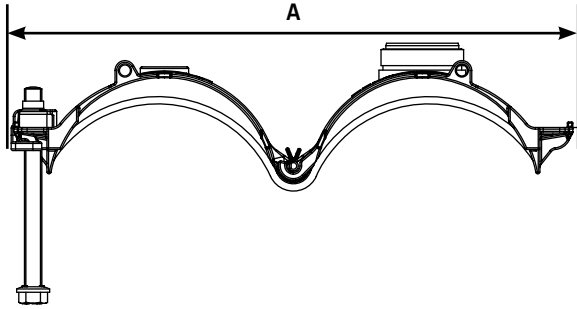
Spherical Washer - Galvanised

Every effort has been made to ensure that the information contained in this publication is accurate at the time of publishing. Crane Ltd assumes no responsibility or liability for typographical errors or omissions or for any misinterpretation of the information within the publication and reserves the right to change without notice.

Remote EasiTap D&T Outlet

Specifications

Working Pressure = 16bar (water)



Remote EasiTap D&T Outlet

Nominal Diameter	OD Range		Overall Dimensions					Bolt Size No.-Dia x Length	Gasket Mould No.	Weight (kg)	Outlet - BSP Threaded Size
	Min (mm)	Max (mm)	X (mm)	Y (mm)	Z (mm)	A (mm)	B (mm)				
3"	92.3	103	182	185	212	347	86	2-M16 x 165	13094	5.0	2"BSP
4"	115	125.6	207	200	212	395	93	2-M16 x 165	13095	5.5	2"BSP
6"	166	181.2	264	247	212	512	122	2-M16 x 185	13096	7.1	2"BSP

Materials & Relevant Standards

Housing

Ductile Iron to BS EN1563 Symbol EN-GJS-450-10

Gasket

BS EN681-1 for potable water applications
(WRAS Approved) (60 IRHD)

Bridging Plate

Stainless Steel BS1449:PART 2 GRADE 304S15 2B Finish

Hinge Clip

Acetal M25-04 Natural (HOECHST)

Bolts/Spanner Size

Steel BS EN ISO898-1 Property Class 4.8 M16 / 24mm A/F

Bolt Torque

95 to 120Nm

Retaining Clip

Acetal M25-04 Natural (HOECHST)

Bolt Retainer

Acetal M25-04 Natural (HOECHST)

Anti-Rotation Nut

Cast or Machined Steel. Min Yield Strength = 275N/mm².
Ultimate Tensile Strength = 430N/mm². Elongation = 23%

Spherical Washer

Ductile Iron to BS EN1563 Symbol EN-GJS-450-10

Coatings

Body - Rilsan Nylon II

Bolts and Anti-Rotation Nuts - Silver Sheraplex

Spherical Washer - Galvanised

Every effort has been made to ensure that the information contained in this publication is accurate at the time of publishing. Crane Ltd assumes no responsibility or liability for typographical errors or omissions or for any misinterpretation of the information within the publication and reserves the right to change without notice.



Permanent Under Pressure Repair & Tapping Solutions

The EasiTee and EasiCollar ranges have been developed to provide a comprehensive range of pipe repair and tapping products to serve the needs of today's water industry.

Reliable & Permanent Seal

Universal and Matt Seal EasiTee guarantee a reliable, permanent seal, even on badly corroded pipes. Incorporated into these products is Viking Johnson's unique 100% circumferential "waffle" gasket, which provides a leak tight seal and also caters for circumferential or longitudinal cracks. RingSeal EasiTee uses a twin seal gasket to provide a permanent seal at the point of tapping whilst EasiCollar enables repairs to be made to spigot and socket joints.

No Specialist Equipment Needed

All products can be installed under pressure so there is no need for costly mains shutdown or disruption to customers. No specialist installation equipment is required, simply a torque wrench to confirm correct bolt torque.

The complete EasiRange is suitable for water applications with a 16bar working pressure and a test pressure of 24bar.



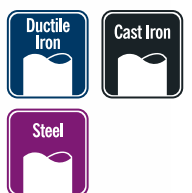
Universal EasiTee

RingSeal EasiTee

EasiCollar Pipe Materials



EasiTee Pipe Materials



Universal EasiTee

Product Design Benefits

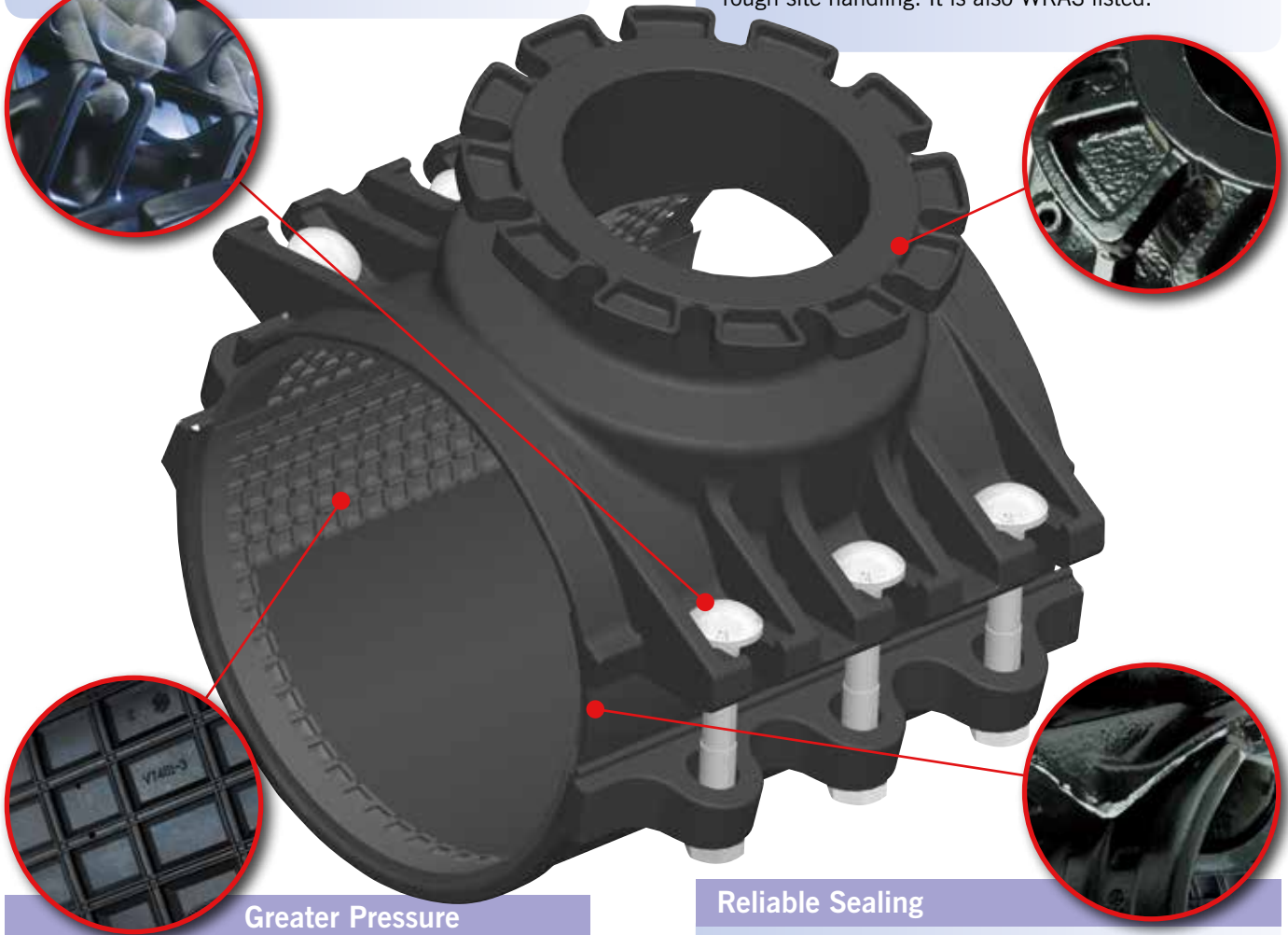
Simple Installation

Universal EasiTee products feature a unique “swing over” bolt to aid installation.



Excellent Corrosion Protection

The sleeve or body are fully coated in Black Rilsan Nylon 11 which has excellent resistance to impact, abrasion, weathering and chemicals as well as good thermal stability and flexibility to accommodate for rough site handling. It is also WRAS listed.



Greater Pressure

Fluerene coated bolts offer higher load to torque capabilities achieving a greater gasket pressure.



Reliable Sealing

Deflecting bridging plate ensures a positive seal every time.



Pipe Repairs

Customer Benefits

- Branch outlets available up to the same size as main.
- Can be installed under pressure:
 - No costly mains shutdown.
 - No disruption to customers.
 - No dirty water complaints.
- Up to 24mm pipe size tolerance to suit a number of popular pipe materials of the same nominal bore and reduce stock holding.
- Constructed from ductile iron, the Universal EasiTee will support and seal around the pipe for the full length of the body, ensuring that sealing effectiveness is maintained in all circumstances.
- Available from DN80 to DN300.
- Available with various flange connections.

RingSeal EasiTee

Product Design Benefits

Excellent Corrosion Protection

The sleeve or body are fully coated in Black Rilsan Nylon 11 which has excellent resistance to impact, abrasion, weathering and chemicals as well as good thermal stability and flexibility to accommodate for rough site handling. It is WRAS listed.



Simple Construction

Fabricated from carbon steel, with a circular gasket positioned at the base of the branch connection, makes the RingSeal EasiTee both a lighter and cost-effective alternative to the MattSeal EasiTee.

User Friendly

Sheraplex coated bolts offers a consistent torque/load ratio improving the factor of safety and sensitivity to installer error and eliminates galling of the coating in the threads.

Customer Benefits

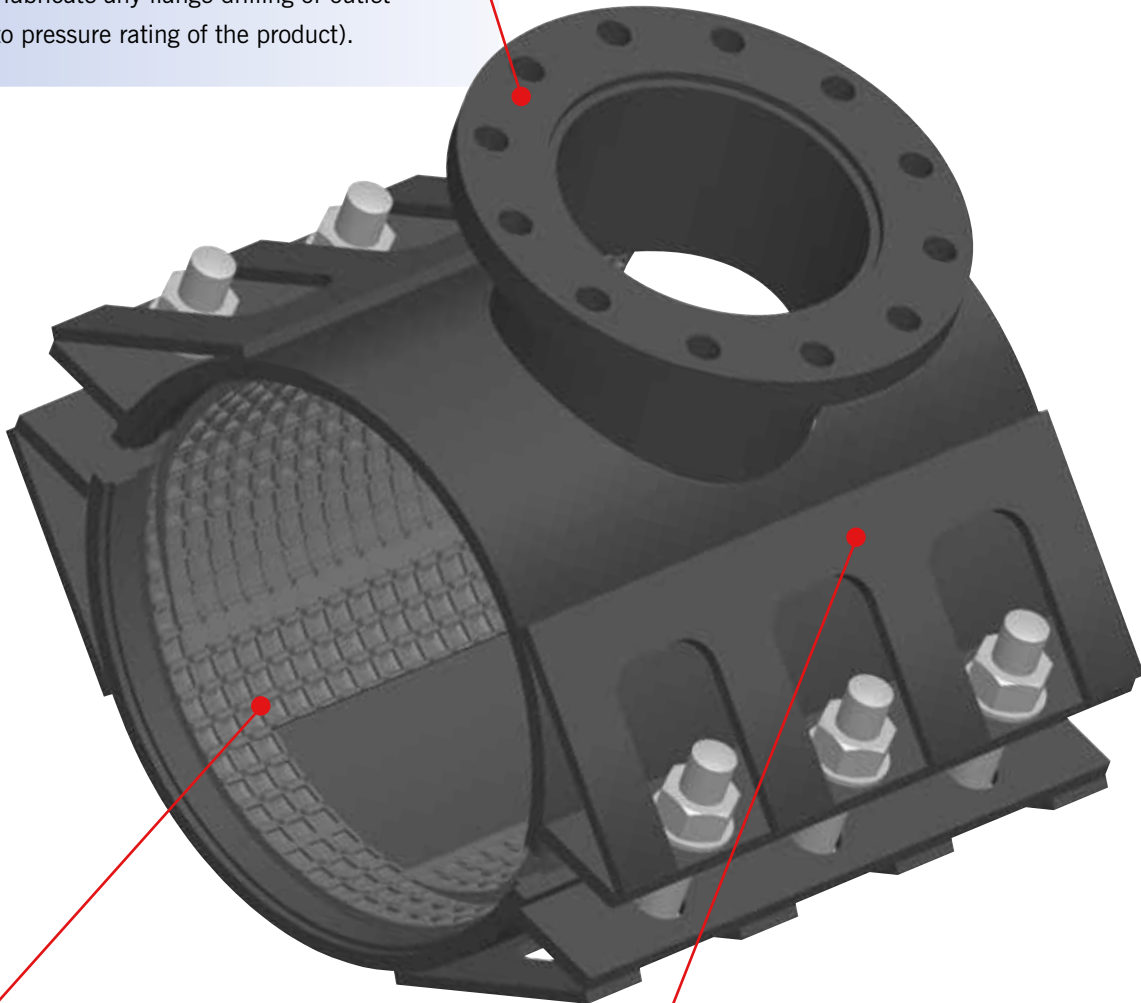
- ▶ Lightweight and quick to install.
- ▶ Available from DN350 to DN1200.
- ▶ Up to DN600 branch (however, if the pipe is grey cast iron the branch must be limited to 70% of the main line size).
- ▶ Ability to fabricate any flange drilling or outlet (subject to pressure rating of the product).
- ▶ Can be installed under pressure:
 - No costly mains shutdown.
 - No disruption to customers.
 - No dirty water complaints.

MattSeal EasiTee

Product Design Benefits

Flexible

Ability to fabricate any flange drilling or outlet (subject to pressure rating of the product).



Reliable Sealing

The waffle gasket is designed to fully surround the pipe within the housing offering optimal sealing.

Excellent Corrosion Protection

The sleeve or body are fully coated in Black Rilsan Nylon 11 which has excellent resistance to impact, abrasion, weathering and chemicals as well as good thermal stability and flexibility to accommodate for rough site handling and is WRAS listed.

Customer Benefits

- ▶ Branch outlets from DN80 up to the same size as main, even on old grey cast iron pipe.
- ▶ Can be installed under pressure:
 - No costly mains shutdown.
 - No disruption to customers.
 - No dirty water complaints.
- ▶ Up to 12mm pipe size tolerance to suit a number of popular pipe materials of the same nominal bore. Reducing stock holding.
- ▶ Available from DN350 to DN600.

MattSeal EasiTap

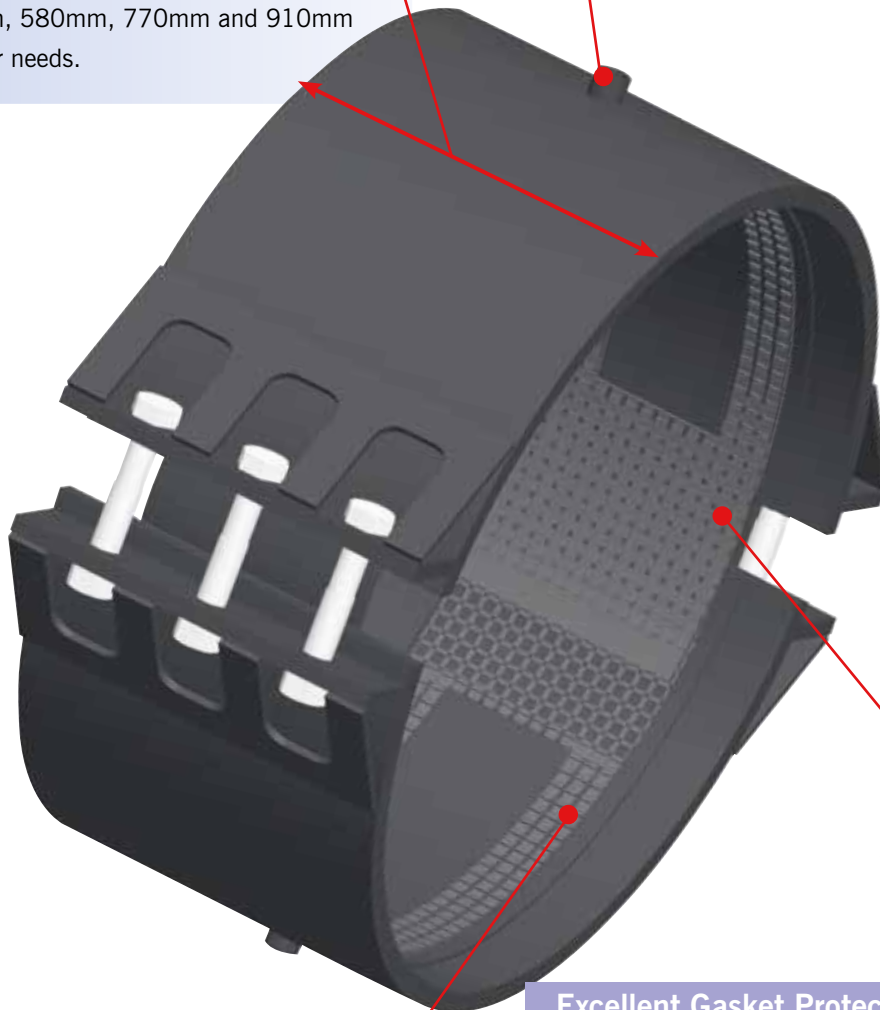
Product Design Benefits

Flexible Lengths Offering

Ability to fabricate to any of these standard lengths 340mm, 460mm, 580mm, 770mm and 910mm to suit your repair needs.

Options to meet your Tapping Needs

Advanced design with the option of with a 1/2", 1" or 2" BSP outlet.



Reliable Sealing

The waffle gasket is designed to fully surround the pipe within the housing offering optimal sealing.

Excellent Gasket Protection

The sleeve or body are fully coated in Black Rilsan Nylon 11 which has excellent resistance to impact, abrasion, weathering and chemicals as well as good thermal stability and flexibility to accommodate for rough site handling and is WRAS listed.

Customer Benefits

- ▶ Permanent repair for DN350 to DN1000 pipes. Large sizes may be available.*
- ▶ Reduced stock holding offered with up to 24mm tolerance on pipe size to suit a number of popular pipe materials of the same nominal bore.
- ▶ The waffle gasket design is proven to give a very level of sealing, even on old corroded pipe.
- ▶ Can be installed under pressure:
 - No costly mains shutdown.
 - No disruption to customers.
 - No dirty water complaints.
- ▶ Product available in multiple lengths and can be tailored to suit repair length of longitudinal cracks, corrosion holes and impact damage.

*Contact Viking Johnson Technical Department for more information.

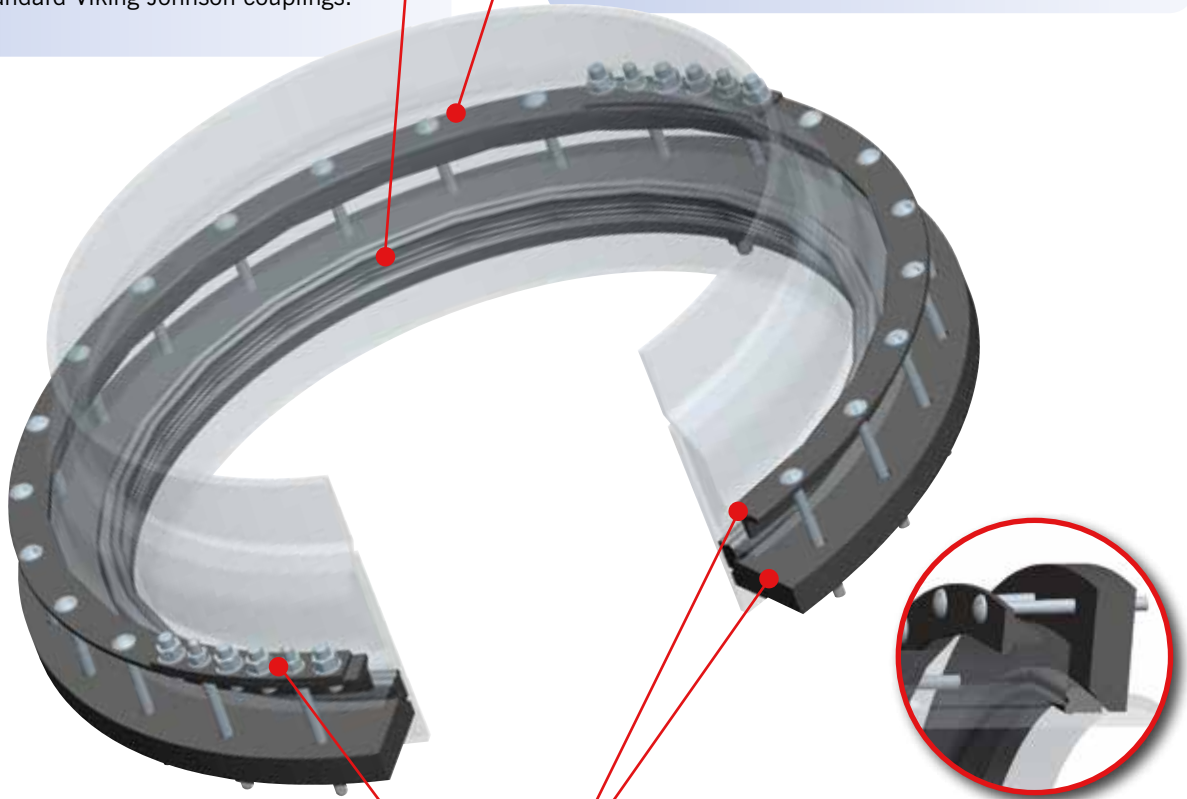
Product Design Benefits

Proven Sealing Capability

EasiCollar has a gasket that presses against the old caulking and provides a new seal on the face of the socket and pipe surface. It creates a flexible joint that uses the same basic sealing method as standard Viking Johnson couplings.

Excellent Corrosion Protection

The sleeve or body are fully coated in Black Rilsan Nylon 11 which has excellent resistance to impact, abrasion, weathering and chemicals as well as good thermal stability and flexibility to accommodate for rough site handling. It is also WRAS listed.



User Friendly

Sheraplex coated bolts offer an improved torque/load ratio and eliminates galling of coating in threads.

Simple Solution to Renew Old Joints

Two rings are assembled in segments around the pipe, one in front of the socket and around the gasket, the other as an anchorage behind the socket. When the connecting bolts are tightened, pressure is created in the gasket to seal the leaking joint.

Customer Benefits

- ▶ Repair collar for spigot and sock joints suitable for:
 - Old spigot and socket iron pipes.
 - Cast iron double collars.
 - Asbestos cement collars.
 - Concrete.
- ▶ Can be installed under pressure:
 - No costly mains shutdown.
 - No disruption to customers.
- ▶ Available from DN300 to DN1200.
- ▶ No additional lead caulking.
- ▶ EasiCollar is generally made to order, taking into account the particular dimensions of the pipe and socket.

United Kingdom - Preston

Routine Repair

EasiCollar 15"

Project

EasiCollar used to repair a 15 inch cast iron pipe with a leaking run lead joint.

Client

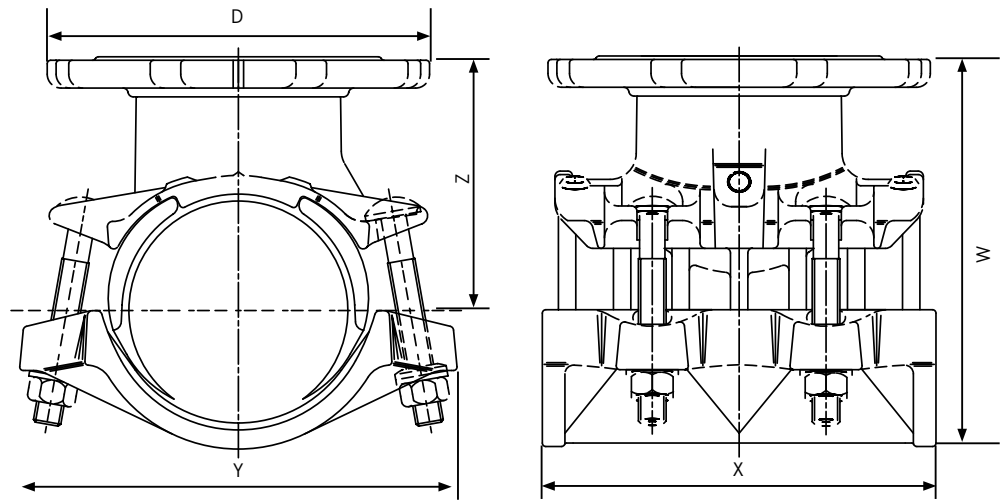
United Utilities

Contractor

Enterprise

Universal EasiTee

Specifications



EasiTee

Pipe OD Size Range (mm)		Branch Drilling		Plain Mould No.	Branch Mould No.	Dimensions (mm)					Bolt Size No.-Size x length	Weight (kg)
Min	Max	Nom	Spec			D	W	X	Y	Z		
85.4	103.0	80	PN 10,16	1792	1791	200	205	213	193	128	4-M16 x 110	9.0
111.8	129.4	80/100	PN 10,16	1741	1740	200	228	227	252	146	4-M16 x 130	10.5
165.2	184.4	80/100	PN 10,16	1743	1742	200	275	269	305	165	4-M16 x 130	18.7
165.2	184.4	150	PN 10,16	1743	1742	285	275	269	305	165	4-M16 x 130	20.9
215.9	239.7	80/100	PN 10,16	1745	1744	200	365	319	385	228	6-M20 x 140	25.4
215.9	239.7	150	PN 10,16	1745	1744	285	365	319	385	228	6-M20 x 140	28.0
215.9	239.7	200	PN 16	1745	1744	340	365	319	385	228	6-M20 x 140	29.5
269.2	293.5	80/100	PN 10,16	1747	1746	200	424	368	462	260	6-M20 x 140	49.1
269.2	293.5	150	PN 10,16	1747	1746	285	424	368	462	260	6-M20 x 140	51.2
269.2	293.5	200	PN 16	1747	1746	340	424	368	462	260	6-M20 x 140	52.3
269.2	293.5	250	PN 16	1747	1746	405	424	368	462	260	6-M20 x 140	56.6
323.1	349.0	80/100	PN 10,16	1749	1748	200	478	439	534	290	6-M24 x 160	58.7
323.1	349.0	150	PN 10,16	1749	1748	285	478	439	534	290	6-M24 x 160	61.0
323.1	349.0	200	PN 16	1749	1748	340	478	439	534	290	6-M24 x 160	62.5
323.1	349.0	250	PN 16	1749	1748	405	478	439	534	290	6-M24 x 160	66.0
323.1	349.0	300	PN 16	1749	1748	460	478	439	534	290	6-M24 x 160	66.0

Materials & Relevant Standards

Bolt Torque/Spanner Details:-

M16 = 95 to 110Nm/A/F 24mm
M20 = 150 to 165Nm/A/F30mm
M24 = 285 to 300Nm/A/F36mm

Housing

Flanged Housing - Ductile Iron to BS EN1563
SYMBOL EN-GJS-450-10

Plain Housing - Ductile Iron to BS EN1563
SYMBOL EN-GJS-450-10

Bridging Plate

Ductile Iron to BS EN1563
SYMBOL EN-GJS-450-10

Gasket

Grade E, 60 IRHD EPDM BS EN681-1

Bolts/Nuts/Washers

Bolts - Steel to BS EN 10083: Part 1 Grade 2.C.22

Steel to BS EN ISO898-1 property class 4.8.

Nuts - Steel to BS 4190 Grade 4

Spherical Washers - Pearlite Malleable Iron
to BS EN 1562 Symbol EN-GJMW-400-5

Washers - Stainless Steel to BS 1449: Part 2 Grade 304 S15

Coatings

Flanged Housing - Rilsan Nylon 11 to WIS 4-52-01 (Part1)

Plain Housing - Rilsan Nylon 11 to WIS 4-52-01 (Part1)

Bridging Plate - Nylon 11 to WIS 4-52-01 (Part 1)

Bolts & Nuts - Flurene coated

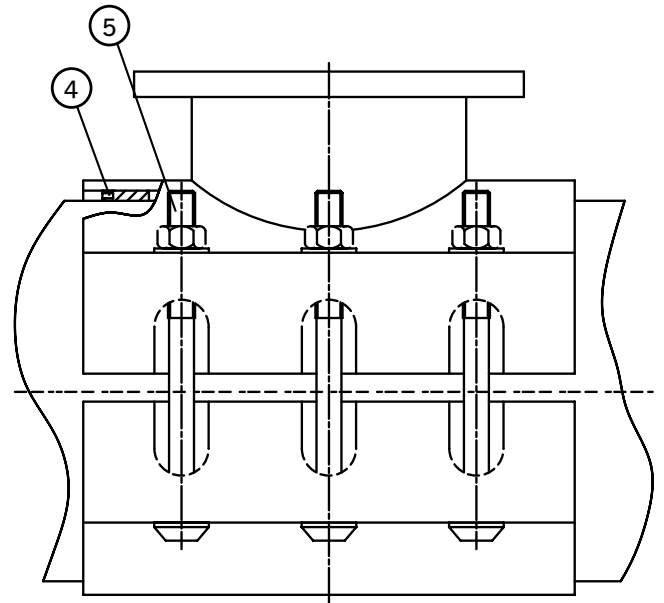
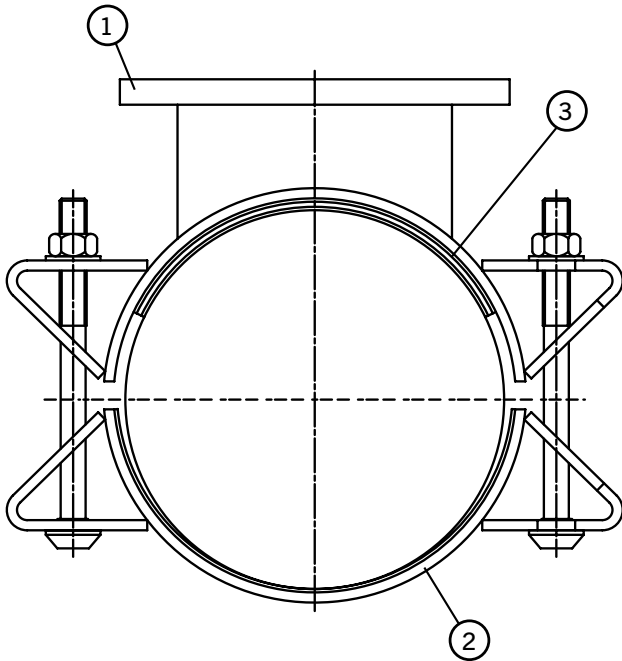
Approvals

All water contact materials are WRAS approved for use with potable water.

Every effort has been made to ensure that the information contained in this publication is accurate at the time of publishing. Crane Ltd assumes no responsibility or liability for typographical errors or omissions or for any misinterpretation of the information within the publication and reserves the right to change without notice.

RingSeal EasiTee

Specifications



Materials & Relevant Standards

1) Branch Housing

Steel BS EN10025-2 Grade S275JR
Steel tube to BS EN 10216-1 Grade P265TRI
or Steel tube to BS EN 10255

2) Plain Housing

Steel BS EN10025-2 Grade S275JR

3) Gasket

Rubber BS EN681-1 70 Hardness Grade EPDM

4) Gasket Retainer

Steel BS EN10025-2 Grade S275JR

5) Bolt, Nut & Washer

Bolt - Steel BS EN ISO 898-1 Property Class 8.8
Nut - Steel BS EN20898-2 Property Class 8.0
Washer - Stainless Steel BS EN ISO3506-1
Grade A2 Property Class 50 (304)

Finish Specification

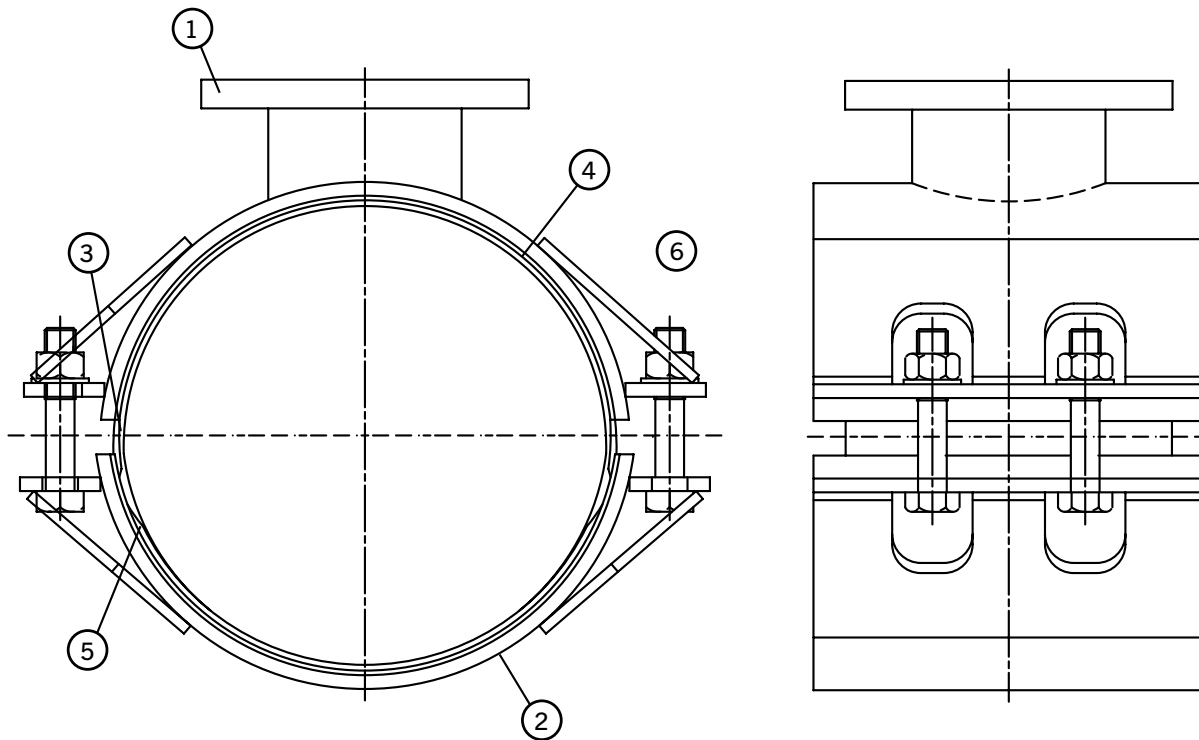
- 1) Branch Housing - Rilsan Nylon II
- 2) Plain Housing - Rilsan Nylon II
- 4) Gasket Retainer - Zinc Plate to BS1706:1990 Fe/Zn8 c1 B
- 5) Bolt, Nut & Washer - Sheraplex coated to WIS 4-52-03

RingSeal EasiTee products are manufactured to order. For detailed dimensional data please contact Viking Johnson.

Every effort has been made to ensure that the information contained in this publication is accurate at the time of publishing. Crane Ltd assumes no responsibility or liability for typographical errors or omissions or for any misinterpretation of the information within the publication and reserves the right to change without notice.

MattSeal EasiTee

Specifications



Materials & Relevant Standards

1) Branch Housing

Steel BS EN10025-2 Grade S275JR
Steel tube to BS EN 10216-1 Grade P265TRI
or Steel tube to BS EN 10255

2) Plain Housing

Steel BS EN10025-2 Grade S275JR

3) Bridging Plate

Stainless Steel BS1449:Part 2 Grade 304S15

4) Saddle Gasket

60 IRHD EPDM to BS EN681-1

5) Housing Gasket

60 IRHD EPDM to BS EN681-1

6) Bolts, Nuts and Washers

Bolts - Steel BS EN ISO898-1 Property Class 4.8
Nuts - Steel BS4190 Grade 4
Washers - Steel BS EN10083:Part 1 Grade C22E

Finish Specification

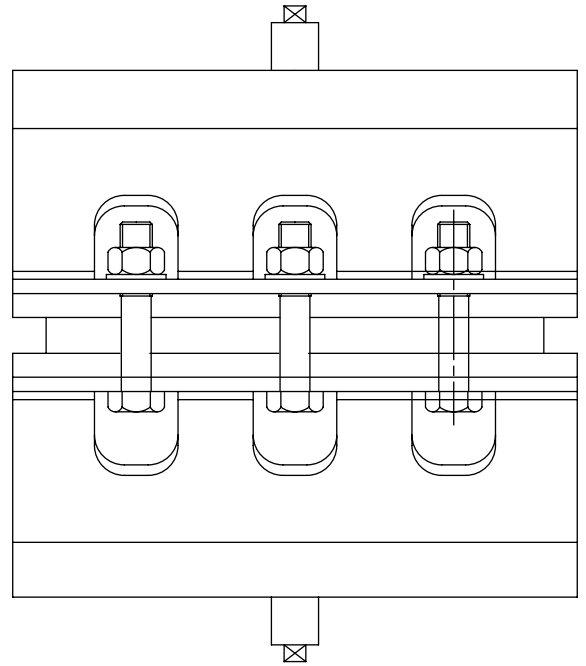
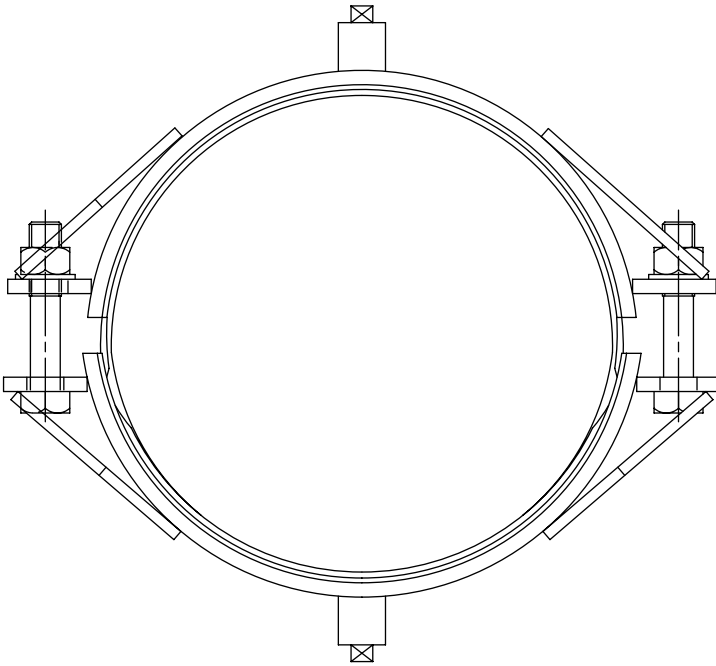
- 1) Branch Housing - Rilsan Nylon II
- 2) Plain Housing - Rilsan Nylon II

MattSeal EasiTee products are manufactured to order. For detailed dimensional data please contact Viking Johnson.

Every effort has been made to ensure that the information contained in this publication is accurate at the time of publishing. Crane Ltd assumes no responsibility or liability for typographical errors or omissions or for any misinterpretation of the information within the publication and reserves the right to change without notice.

MattSeal EasiTap

Specifications



Working Pressure Ratings

Nominal Size	Working Pressure
Up to DN700	16 Bar
> DN700	Up to 16 Bar

Materials & Relevant Standards

1) Housing

Steel BS EN10025-2 Grade S275JR

Outlet Steel tube to BS EN 10255

2) Bridging Plate

Stainless Steel BS1449:Part 2 Grade 304S15

3) Saddle Gasket

60 IRHD EPDM to BS EN681-1

4) Housing Gasket

60 IRHD EPDM to BS EN681-1

5) Bolts, Nuts and Washers

Bolts - Steel BS EN ISO898-1 Property Class 4.8

Nuts - Steel BS4190 Grade 4

Washers - Steel BS EN10083:Part 1 Grade C22E

Finish Specification

1) Housing - Rilsan Nylon II

2) Bolt - Sheraplex coated to WIS 4-52-03

Pipe Materials

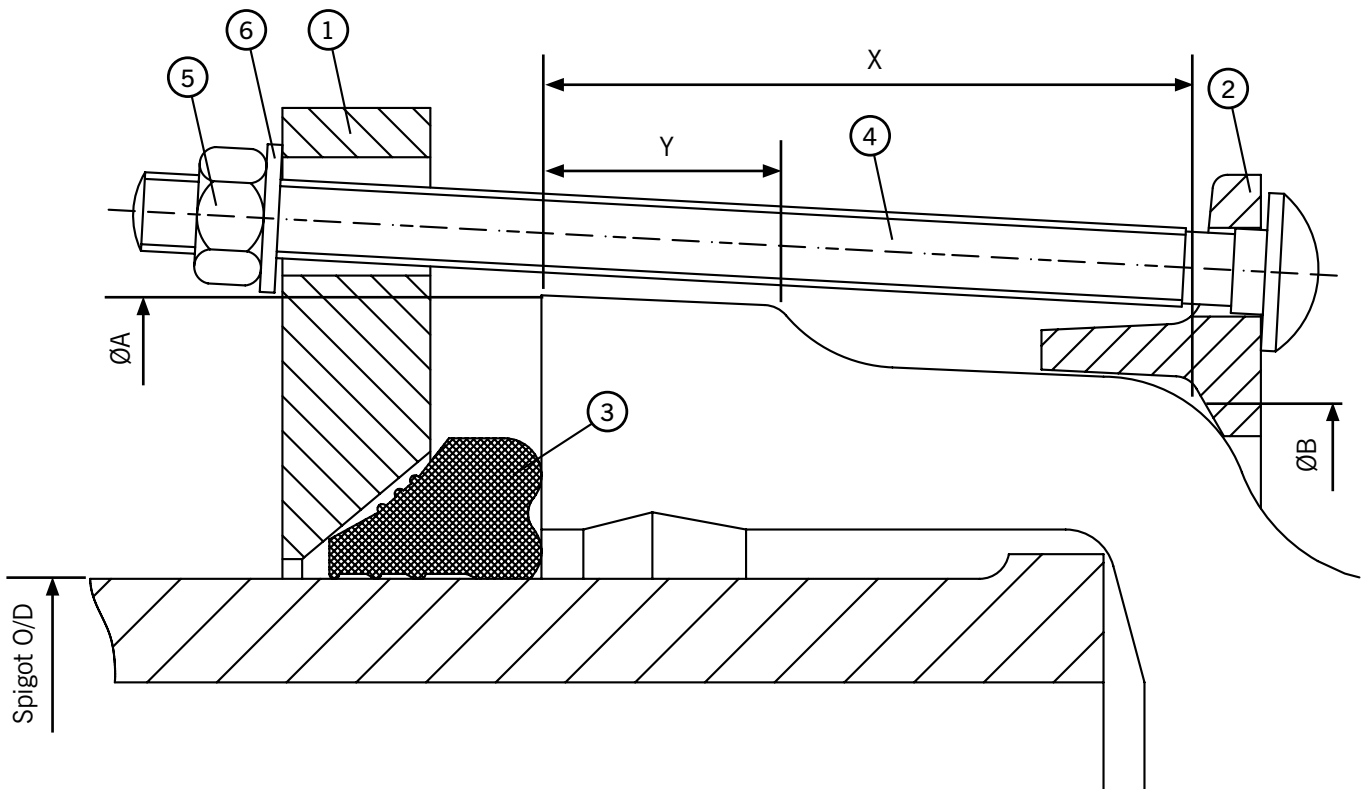


MattSeal EasiTap products are manufactured to order. For detailed dimensional data please contact Viking Johnson.

Every effort has been made to ensure that the information contained in this publication is accurate at the time of publishing. Crane Ltd assumes no responsibility or liability for typographical errors or omissions or for any misinterpretation of the information within the publication and reserves the right to change without notice.

EasiCollar DN300 to DN1200

Specifications



Materials & Relevant Standards

Materials

- 1) Compression Flange - Steel BS EN10025-2 Grade S275JR
- 2) Anchor End Ring - Steel BS EN10025-2 Grade S275JR
- 3) Gasket - 61 IRHD EPDM Compound Ref. CVE61
- 4) Bolts - Steel BS EN ISO 898-1 Property Class 4.8
- 5) Nuts - Steel BS4190 Grade 4
- 6) Washers - Stainless Steel to BS1449:Part 2 Grade 304 S15

Finish Specification

- Compression Flange (Part 1) Rilsan Nylon II - Black
Anchor End Ring (Part 2) Rilsan Nylon II - Black
Bolts and Nuts - Sheraplex coated to WIS 4-52-03

Note: Due to the number of different types of spigot and socket joints, with varying tolerances, when enquiring about EasiCollar a form is available with the dimensions required, please contact the marketing department for more information.

EasiCollar products are manufactured to order. For detailed dimensional data please contact Viking Johnson.

Every effort has been made to ensure that the information contained in this publication is accurate at the time of publishing. Crane Ltd assumes no responsibility or liability for typographical errors or omissions or for any misinterpretation of the information within the publication and reserves the right to change without notice.

United Kingdom - Anglesey

Systems Maintenance

Universal EasiTee - DN300

Project

Upgrading network - making an under pressure connection to an existing cast iron water main.

Client

Welsh Water

Contractor

Daniel Contractor Limited



46-48 WILBURY WAY
HITCHIN, HERTFORDSHIRE
SG4 0UD. UNITED KINGDOM
TELEPHONE: +44 (0)1462 443322
FAX: +44 (0)1462 443311
EMAIL: info@vikingjohnson.com

www.vikingjohnson.com

Every effort has been made to ensure that the information contained in this publication is accurate at the time of publishing. Crane Ltd assumes no responsibility or liability for typographical errors or omissions or for any misinterpretation of the information within the publication and reserves the right to change without notice.



ISO 14001 • EMS 51874



ISO 9001 • FM 00311



To visit our Video Library go to:
www.youtube.com/user/CraneBSU

- Designed and manufactured under quality management systems in accordance with BS EN ISO 9001.
- Environmental Management System accredited to ISO 14001.
- For full terms and conditions, please visit our website.

DF9380_09_2017

PIONEERS IN PIPE SOLUTIONS



www.cranebus.com

