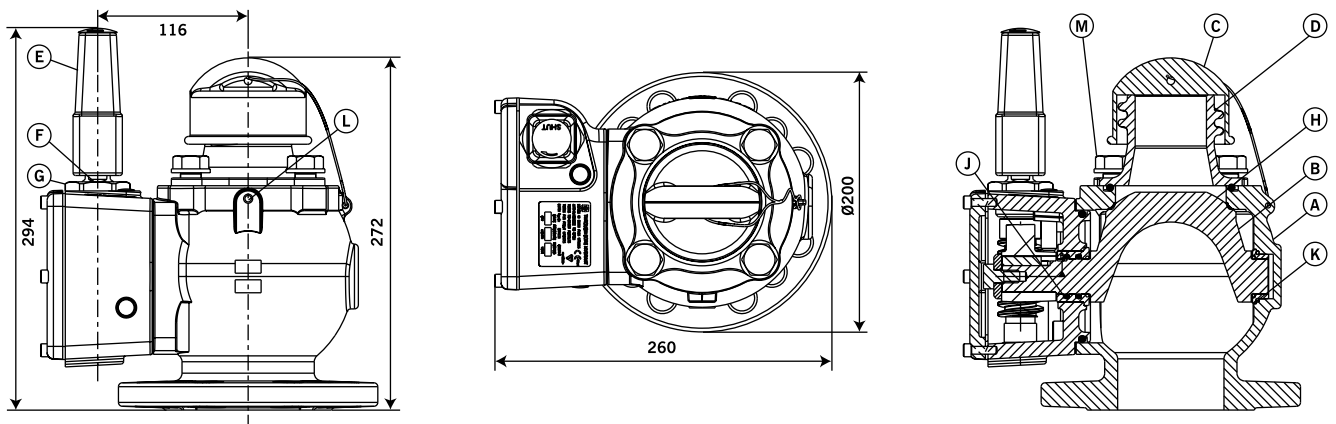


Through Bore Hydrant DN80

Specifications



Through Bore Hydrant

DN	BS750:2006				
	Operating Torque	Min Kv with outlet fitted	Min Kv with outlet removed	Max Height (mm)	Weight (kg)
80	20 to 30 Nm	92	350	294	18

Materials & Relevant Standards

A. Main Body

Ductile Iron, ENGJS-450-10, BSEN1563

B. Plug Moulding

SG Iron Encapsulated in EPDM, ENGJS-450-10, BSEN1563

C. Protection Cap

PE/Rubber

D. London Thread Outlet

Stainless Steel, BSEN 10088-1 (13% Chromium min.)

E. Stem Cap

Ductile Iron, ENGJS-450-10, BSEN1563

F. Pinion

Stainless Steel, BSEN 10088-1 (13% Chromium min.)

G. Pinion Securing Nut

Brass, CuZn39Pb3, BSEN 12164

H. Outlet O-Ring Seal

EPDM

J. Bearing Bush

Sintered Stainless Steel, ASTM A743 CF8M

K. Core Bearing

Sintered Stainless Steel, ASTM A743 CF8M

L. Drain Boss (Drain Plug Optional)

Ductile Iron, ENGJS-450-10, BSEN1563

M. Outlet Securing Bolts and Washers

Stainless Steel, A2-70, BSEN 10088-1

Every effort has been made to ensure that the information contained in this publication is accurate at the time of publishing. Crane Ltd assumes no responsibility or liability for typographical errors or omissions or for any misinterpretation of the information within the publication and reserves the right to change without notice.