

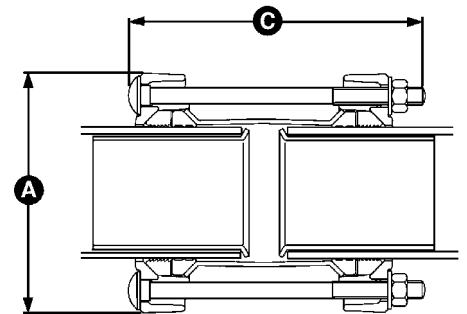
# AquaGrip Couplings & Flange Adaptors up to 180mm

## Specifications

AquaGrip couplings and flange adaptors up to 180mm are currently manufactured for SDR17 and SDR11 PE pipe. SDR26 is also available on AquaGrip couplings 125mm and 160mm.

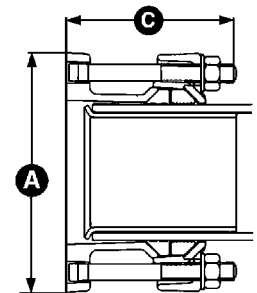
AquaGrip coupling assembly joins PE pipe to PE pipe

| Pipe OD | Dimensions (mm) |     | No. of Bolts | Bolts size (mm) | Gasket Mould No. | Weight (kg) |
|---------|-----------------|-----|--------------|-----------------|------------------|-------------|
|         | A               | C   |              |                 |                  |             |
| 63      | 144             | 208 | 2            | M12x200         | 6001             | 2.4         |
| 90      | 167.5           | 208 | 4            | M12x200         | 1785             | 3.8         |
| 110     | 188             | 208 | 4            | M12x200         | 1786             | 5.4         |
| 125     | 203             | 208 | 4            | M12x200         | 1787             | 5.8         |
| 160     | 240             | 223 | 8            | M12x215         | 1788             | 9.0         |
| 180     | 257.5           | 223 | 8            | M12x215         | 1789             | 9.8         |



AquaGrip flange adaptor assembly joins PE pipe to flanged equipment

| Pipe OD | Dimensions (mm) |     | No. of T-Bolts | T-Bolt size (mm) | Flange specification nom (mm) | Gasket Mould No. | Weight (kg) |
|---------|-----------------|-----|----------------|------------------|-------------------------------|------------------|-------------|
|         | A               | C   |                |                  |                               |                  |             |
| 63      | 200             | 123 | 2              | M12x115          | 50/80 PN10/16                 | 6001             | 3.6         |
| 90      | 200             | 123 | 4              | M12x115          | 80 PN10/16                    | 1785             | 3.8         |
| 110     | 220             | 123 | 4              | M12x115          | 100 PN10 & 16                 | 1786             | 4.2         |
| 125     | 220             | 123 | 4              | M12x115          | 100 PN10 & 16                 | 1787             | 4.3         |
| 160     | 285             | 129 | 8              | M12x115          | 150 PN10 & 16                 | 1788             | 8.1         |
| 180     | 285             | 129 | 8              | M12x115          | 150 PN10 & 16                 | 1789             | 8.5         |



## Materials & Relevant Standards

### End rings/Flange adaptor body

SG iron to BS EN 1563 Symbol EN-GJS-450-10.

### Centre sleeve/Liners

Mild steel to BS EN 10025 Grade S 275.

### Bolts

To BS EN ISO 898-1 Property Class 4.8.

### Nuts

To BS 4190 Grade 4.

### Washers

Stainless steel - BS 1449: PT2 Grade 304 S 15

### Gripper

Acetal copolymer Grade M90 or equivalent.

### Gasket

EPDM compound 80 IRHD Grade 'E' to BS EN 681-1 Type WA. Temperature range: -10°C to +40°C. Suitable for water and sewage applications. (Not suitable for fluctuating temperature, i.e. heating systems.) WRAS listed.

### Coating

Flange adaptor body, centre sleeve and end rings are coated in Rilsan Nylon 11. Rilsan complies with WIS 4-52-01

Part 1. Bolts: Blue Sheraplex followed by dry film lubricant (Ilex).

### Performance criteria

WRAS listed and designed to meet the Full Type 1 performance requirements of WIS 4-24-01.

### Bolt torque required

Blue Sheraplex: 40-50lb.ft (55-65Nm.)

### Pressure rating

16 bar

Every effort has been made to ensure that the information contained in this publication is accurate at the time of publishing. Crane Ltd assumes no responsibility or liability for typographical errors or omissions or for any misinterpretation of the information within the publication and reserves the right to change without notice.