

Versatile

EasiClamp & EasiTap

A Rapid Solution for Pipe Repair & Tapping

NOW
Available With
Stainless Steel
Bolts

ENHANCED CORROSION
PROTECTION



PIONEERS IN PIPE SOLUTIONS

CRANE

BUILDING SERVICES & UTILITIES



The Simple, yet advanced repair solution

The Viking Johnson EasiRange has been developed to provide a comprehensive range of pipe repair and tapping products to serve the needs of today's water industry. The EasiRange of products includes EasiClamp, EasiTap.

Permanent Seal

EasiClamp, EasiTap products guarantee a reliable, permanent seal even on badly corroded pipes. A unique feature of these products is Viking Johnson's 100% circumferential 'Waffle' gasket, which provides a leak tight seal and also caters for circumferential or longitudinal cracks. The gasket is constructed in EPDM, which is WRAS approved for use with potable water, ensuring a reliable and permanent leak tight solution with working pressure of 16bar and test pressure of 24bar.

Minimise Stockholding

Wide tolerance range – Each fitting (EasiClamp, EasiTap) will suit a number of popular pipe materials of the same nominal bore.

High Strength

EasiRange products (EasiClamp, EasiTap) are constructed from ductile and/or malleable iron or steel half housings. The products will support and seal around the pipe for the full length of the body, ensuring that sealing effectiveness is maintained in all circumstances.

Ease of Installation

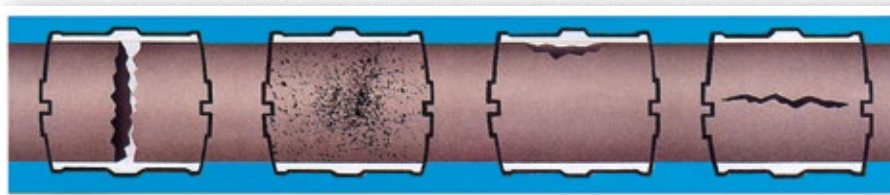
All products can be installed under pressure therefore there is no need for costly mains shut down or disruption to customers. EasiClamp and EasiTap products feature self-retaining bolts which reduces the potential loss of bolts during installation.



Viking Johnson introduces new Stainless Steel bolt option on EasiClamp & EasiTap.

Viking Johnson has introduced a new Stainless Steel bolt option on the established EasiClamp and EasiTap repair range. This will give the customer an enhanced corrosion protection and increase the longevity of the product.

Ideal For



Circumferential breaks

Corrosion holes

Impact damage

Longitudinal cracks

Pipe Materials



EasiRange EasiClamp & EasiTap

Product Design Benefits

Corrosion Protection

All cast components are fully coated in Black Rilsan Nylon 11 which has excellent resistance to impact, abrasion, weathering and chemicals as well as good thermal stability and flexibility to accommodate for rough site handling.

High Strength

The strength of the ductile iron housings will provide permanent support and seal around the pipe.

Industry Testing

Viking Johnson products undergo intensive performance testing to ensure the strength and integrity of all products meet industry standards.

- ▶ Accelerated Ageing Tests (AAT) to verify 50 year design life expectancy.
- ▶ EasiRange has been tested on knurled and grooved pipe work to match typical pipe conditions found on many sites around the world.



Permanent Seal

The 100% 'Waffle' gasket provides a reliable and permanent leak tight seal even on circumferential or longitudinal cracks.

Enhanced Lifespan

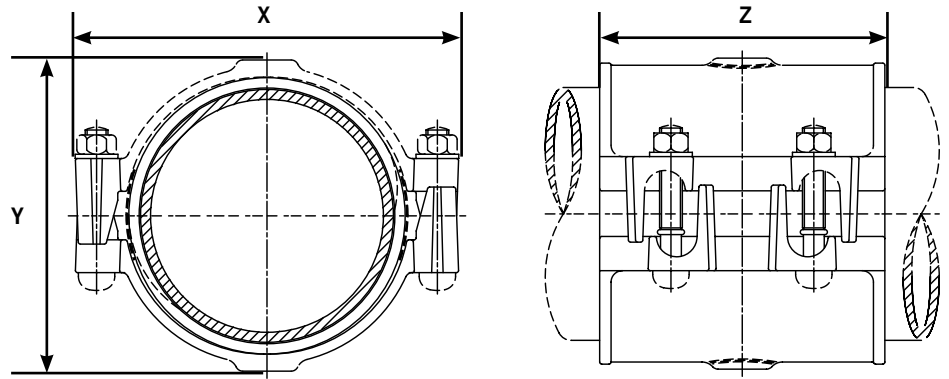
Sherplex coated bolts to WIS 4-52-03 & Stainless Steel bolts coated with dry film lubricant provides excellent corrosion resistance against degradation and maximizes long life

Customer Benefits

- ▶ Can be installed under pressure.
 - No costly mains shutdown
 - No disruption to customers
 - No dirty water complaints
- ▶ Enables easy repair in conditions where other pipes are in close proximity.
- ▶ A reliable and permanent leak tight seal on circumferential or longitudinal cracks.
- ▶ Available from DN50 to DN300.

EasiClamp & EasiTap D&T Boss

Specifications



EasiClamp & EasiTap D&T Boss

Nominal Diameter		OD Range		Dimensions			Bolt Size No.-Dia x Length	Weight (kg)	Outlet BSP Threaded Size
		Min (mm)	Max (mm)	X (mm)	Y (Max) (mm)	Z (mm)			
2"	DN50	66.0	75.0	150	110	200	4-M12 x 65mm	4.1	3/4"
2 1/2"	DN65	75.0	84.0	159	119	200	4-M12 x 65mm	4.4	3/4"
3"	DN80	92.3	103.0	184	145	200	4-M16 x 95mm	4.9	3/4"
4"	DN100	115.0	125.6	211	167	200	4-M16 x 95mm	6.0	1/2", 3/4" or 1"
5"	DN125	141.0	153.9	239	182	200	4-M16 x 95mm	7.5	3/4" or 1"
6"	DN150	166.0	181.2	267	217	200	4-M16 x 95mm	8.3	3/4" or 1"
7"	DN175	200.0	210.0	296	238	200	4-M16 x 95mm	9.0	3/4" or 1"
8"	DN200	216.5	226.0	313	269	200	4-M16 x 95mm	9.5	1"
8"	DN200	230.2	243.5	328	281	200	4-M16 x 95mm	10.8	3/4" or 1"
9"	DN225	243.0	267.0	362	307	212	4-M16 x 120mm	13.6	3/4" or 1"
10"	DN250	269.0	294.0	395	322	250	6-M16 x 120mm	18.5	1/2", 3/4" or 1"
12"	DN300	323.0	349.0	450	387	300	8-M16 x 120mm	25.2	1/2", 3/4" or 1"

Materials & Relevant Standards

Housing

Tapped Housing - Ductile Iron to BS EN 1563
SYMBOL EN-GJS-450-10

Plain Housing - Ductile Iron to BS EN 1563
SYMBOL EN-GJS-450-10

Bridging Plate

Stainless Steel to BS1449: Part 2 Grade 304S15 2B Finish

Gasket

BS EN681-1 WRAS Approved 60 IRHD

Approvals

All water contact materials are WRAS approved for use with potable water

Bolts/Bolt Torque/Spanner Size

Standard - Steel to BS EN ISO 898-1 Property Class 4.8

Option - Stainless Steel to BS EN ISO3506-1 Grade A2 Property Class 70

M12 = 55 to 65Nm / A/F 19mm

M16 = 95 to 110Nm / A/F 24mm

Nuts -

Standard - Steel to BS 4190 Grade 4

Option - Stainless Steel to BS EN ISO3506-2 Grade A4 Property Class 80

Washers -

Standard - Stainless Steel to BS 1449:Part 2 Grade 304 S15

Option - Stainless Steel to BS EN ISO3506-1 Grade A2 Property Class 50

Coating

Tapped Housing - Rilsan Nylon 11 to WIS 4-52-01 (Part1)

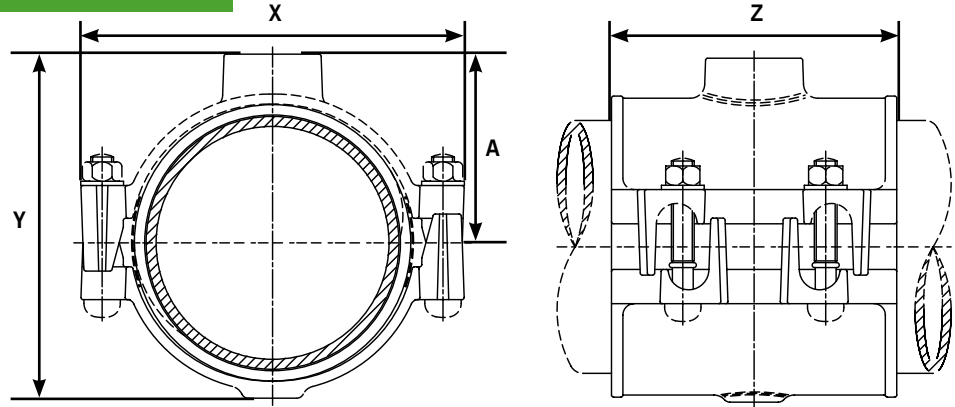
Plain Housing - Rilsan Nylon 11 to WIS 4-52-01 (Part1)

Bolts & Nuts - Sheraplex to WIS 4-52-03

Every effort has been made to ensure that the information contained in this publication is accurate at the time of publishing. Crane Ltd assumes no responsibility or liability for typographical errors or omissions or for any misinterpretation of the information within the publication and reserves the right to change without notice.

EasiTap - D&T Outlet

Specifications



EasiTap D&T Outlet

Nominal Diameter	OD Range		Dimensions				Bolt Size No.-Dia x Length	Weight (kg)	Outlet BSP Threaded Size
	Min (mm)	Max (mm)	X (mm)	Y (Max) (mm)	Z (mm)	A (mm)			
3"	92.3	103.0	184	173	200	92	4-M16 x 95mm	5.0	1 1/2 or 2" BSP
4"	115.0	125.6	211	195	200	102	4-M16 x 95mm	6.0	2" BSP
5"	141.0	153.9	239	210	200	120	4-M16 x 95mm	7.5	2" BSP
6"	166.0	181.2	267	245	200	130	4-M16 x 95mm	8.3	2" BSP
7"	200.0	210.0	296	266	200	146	4-M16 x 95mm	9.0	2" BSP
200	216.5	226.0	313	292	200	153	4-M16 x 95mm	10.0	2" BSP
8"	230.2	243.5	332	309	200	161	4-M16 x 95mm	10.8	2" BSP
9"	243.0	267.0	362	330	212	180	4-M16 x 120mm	13.7	2" BSP
10"	269.0	294.0	395	347	250	194	6-M16 x 120mm	18.7	2" BSP
12"	323.0	349.0	450	412	300	221	8-M16 x 120mm	25.4	2" BSP

Materials & Relevant Standards

Housing

Tapped Housing - Ductile Iron to BS EN 1563

SYMBOL EN-GJS-450-10

or Malleable Cast Iron to BS EN 1562

SYMBOL EN-GJMB-350-10

Plain Housing - Ductile Iron to BS EN 1563 SYMBOL EN-GJS-450-10

Bridging Plate

Stainless Steel to BS1449: Part 2 Grade 304S15 2B Finish

Gasket

Grade E, 60 IRHD EPDM to BS2494 W+D

Bolts/Bolt Torque/Spanner Size

Standard - Steel to BS EN ISO 898-1 Property Class 4.8

Option - Stainless Steel to BS EN ISO3506-1 Grade A2 Property Class 70

M16 = 95 to 110Nm / A/F 24mm

Nuts -

Standard - Steel to BS 4190 Grade 4

Option - Stainless Steel to BS EN ISO3506-2 Grade A4 Property Class 80

Washers -

Standard - Stainless Steel to BS 1449:Part 2 Grade 304 S15

Option - Stainless Steel to BS EN ISO3506-1 Grade A2 Property Class 50

Coating

Tapped Housing - Rilsan Nylon 11 to WIS 4-52-01 (Part1)

Plain Housing - Rilsan Nylon 11 to WIS 4-52-01 (Part1)

Bolts & Nuts - Sheraplex to WIS 4-52-03

Approvals

All water contact materials are WRAS approved for use with potable water

Every effort has been made to ensure that the information contained in this publication is accurate at the time of publishing. Crane Ltd assumes no responsibility or liability for typographical errors or omissions or for any misinterpretation of the information within the publication and reserves the right to change without notice.



46-48 WILBURY WAY
HITCHIN, HERTFORDSHIRE
SG4 0UD. UNITED KINGDOM
TELEPHONE: +44 (0)1462 443322
FAX: +44 (0)1462 443311
EMAIL: info@vikingjohnson.com

www.vikingjohnson.com

Every effort has been made to ensure that the information contained in this publication is accurate at the time of publishing. Crane Ltd assumes no responsibility or liability for typographical errors or omissions or for any misinterpretation of the information within the publication and reserves the right to change without notice.



ISO 14001 • EMS 51874



ISO 9001 • FM 00311



To visit our Video Library go to:
www.youtube.com/user/CraneBSU

- Designed and manufactured under quality management systems in accordance with BS EN ISO 9001.
- Environmental Management System accredited to ISO 14001.
- For full terms and conditions, please visit our website.

DF8709_07_2016

PIONEERS IN PIPE SOLUTIONS



www.cranesbu.com

