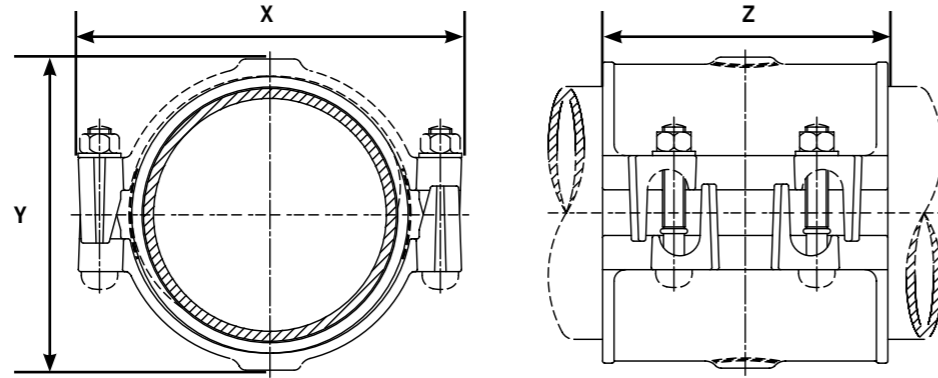


# EasiClamp & EasiTap D&T Boss

## Specifications



### EasiClamp & EasiTap D&T Boss

Nominal Diameter	OD Range		Dimensions			Bolt Size No.-Dia x Length	Weight (kg)	Outlet BSP Threaded Size	
	Min (mm)	Max (mm)	X (mm)	Y (Max) (mm)	Z (mm)				
2"	DN50	66.0	75.0	150	110	200	4-M12 x 65mm	4.1	3/4"
2 1/2"	DN65	75.0	84.0	159	119	200	4-M12 x 65mm	4.4	3/4"
3"	DN80	92.3	103.0	184	145	200	4-M16 x 95mm	4.9	3/4"
4"	DN100	115.0	125.6	211	167	200	4-M16 x 95mm	6.0	1/2", 3/4" or 1"
5"	DN125	141.0	153.9	239	182	200	4-M16 x 95mm	7.5	3/4" or 1"
6"	DN150	166.0	181.2	267	217	200	4-M16 x 95mm	8.3	3/4" or 1"
7"	DN175	200.0	210.0	296	238	200	4-M16 x 95mm	9.0	3/4" or 1"
8"	DN200	216.5	226.0	313	269	200	4-M16 x 95mm	9.5	1"
8"	DN200	230.2	243.5	328	281	200	4-M16 x 95mm	10.8	3/4" or 1"
9"	DN225	243.0	267.0	362	307	212	4-M16 x 120mm	13.6	3/4" or 1"
10"	DN250	269.0	294.0	395	322	250	6-M16 x 120mm	18.5	1/2", 3/4" or 1"
12"	DN300	323.0	349.0	450	387	300	8-M16 x 120mm	25.2	1/2", 3/4" or 1"

## Materials & Relevant Standards

### Housing

Tapped Housing - Ductile Iron to BS EN 1563  
SYMBOL EN-GJS-450-10

Plain Housing - Ductile Iron to BS EN 1563  
SYMBOL EN-GJS-450-10

### Bridging Plate

Stainless Steel to BS1449: Part 2 Grade 304S15 2B Finish

### Gasket

BS EN681-1 WRAS Approved 60 IRHD

### Approvals

All water contact materials are WRAS approved for use with potable water

### Bolts/Bolt Torque/Spanner Size

**Standard - Steel** to BS EN ISO 898-1 Property Class 4.8

**Option - Stainless Steel** to BS EN ISO3506-1 Grade A2 Property Class 70

M12 = 55 to 65Nm / A/F 19mm

M16 = 95 to 110Nm / A/F 24mm

### Nuts -

**Standard - Steel** to BS 4190 Grade 4

**Option - Stainless Steel** to BS EN ISO3506-2 Grade A\$ Property Class 80

### Washers -

**Standard - Stainless Steel** to BS 1449:Part 2 Grade 304 S15

**Option - Stainless Steel** to BS EN ISO3506-1 Grade A2 Property Class 50

### Coating

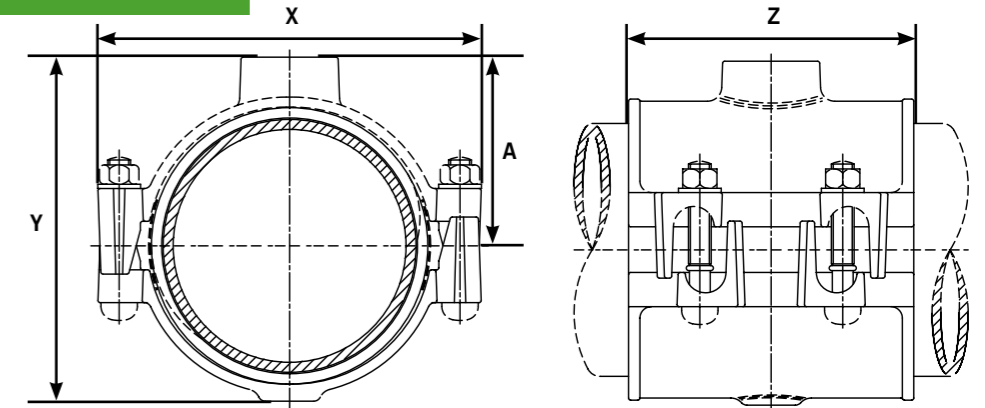
**Tapped Housing** - Rilsan Nylon 11 to WIS 4-52-01 (Part1)

**Plain Housing** - Rilsan Nylon 11 to WIS 4-52-01 (Part1)

**Bolts & Nuts** - Sheraplex to WIS 4-52-03

# EasiTap - D&T Outlet

## Specifications



### EasiTap D&T Outlet

Nominal Diameter	OD Range		Dimensions				Bolt Size No.-Dia x Length	Weight (kg)	Outlet BSP Threaded Size
	Min (mm)	Max (mm)	X (mm)	Y (Max) (mm)	Z (mm)	A (mm)			
3"	92.3	103.0	184	173	200	92	4-M16 x 95mm	5.0	1 1/2" or 2" BSP
4"	115.0	125.6	211	195	200	102	4-M16 x 95mm	6.0	2" BSP
5"	141.0	153.9	239	210	200	120	4-M16 x 95mm	7.5	2" BSP
6"	166.0	181.2	267	245	200	130	4-M16 x 95mm	8.3	2" BSP
7"	200.0	210.0	296	266	200	146	4-M16 x 95mm	9.0	2" BSP
8"	216.5	226.0	313	292	200	153	4-M16 x 95mm	10.0	2" BSP
8"	230.2	243.5	332	309	200	161	4-M16 x 95mm	10.8	2" BSP
9"	243.0	267.0	362	330	212	180	4-M16 x 120mm	13.7	2" BSP
10"	269.0	294.0	395	347	250	194	6-M16 x 120mm	18.7	2" BSP
12"	323.0	349.0	450	412	300	221	8-M16 x 120mm	25.4	2" BSP

## Materials & Relevant Standards

### Housing

Tapped Housing - Ductile Iron to BS EN 1563

SYMBOL EN-GJS-450-10

or Malleable Cast Iron to BS EN 1562

SYMBOL EN-GJMB-350-10

Plain Housing - Ductile Iron to BS EN 1563 SYMBOL EN-GJS-450-10

### Bridging Plate

Stainless Steel to BS1449: Part 2 Grade 304S15 2B Finish

### Gasket

Grade E, 60 IRHD EPDM to BS2494 W+D

### Bolts/Bolt Torque/Spanner Size

**Standard - Steel** to BS EN ISO 898-1 Property Class 4.8

**Option - Stainless Steel** to BS EN ISO3506-1 Grade A2 Property Class 70

M16 = 95 to 110Nm / A/F 24mm

### Nuts -

**Standard - Steel** to BS 4190 Grade 4

**Option - Stainless Steel** to BS EN ISO3506-2 Grade A\$ Property Class 80

### Washers -

**Standard - Stainless Steel** to BS 1449:Part 2 Grade 304 S15

**Option - Stainless Steel** to BS EN ISO3506-1 Grade A2 Property Class 50

### Coating

**Tapped Housing** - Rilsan Nylon 11 to WIS 4-52-01 (Part1)

**Plain Housing** - Rilsan Nylon 11 to WIS 4-52-01 (Part1)

**Bolts & Nuts** - Sheraplex to WIS 4-52-03

### Approvals

All water contact materials are WRAS approved for use with potable water