

Practical

HandiRange

HandiClamp, HandiTap, HandiTee & HandiBand
Stainless Steel Repair & Tapping Solutions



PIONEERS IN PIPE SOLUTIONS

CRANE

BUILDING SERVICES & UTILITIES



Overview

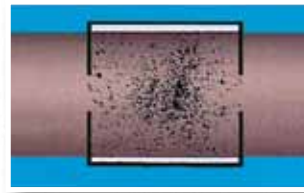
A Permanent Repair Solution for Small Bore Pipes

The HandiRange is a comprehensive range of stainless steel repair and tapping products, designed to serve the needs of today's water industry. The HandiRange comprises HandiClamp, HandiTap, HandiTee and HandiBand.

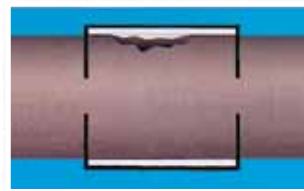
Available in various clamp lengths and suitable for virtually any pipe material, HandiRange products are available with either EPDM or Nitrile gaskets, with a maximum operating temperature of 40°C.

HandiClamp is constructed from 100% stainless steel and offers permanent repair for many types of pipe damage from DN50 (2") to DN1000 (40"). The HandiTap range offers the same design and construction features as the HandiClamp but has various female BSP outlet options, offering a quick, cost effective method of replacing service connections under pressure. The HandiTee range is extremely useful to make simple flanged connections on pipelines under pressure due to its lightweight and easy installation. Finally, HandiBand is a high quality repair clamp designed for localised damage on small bore pipes DN15 to DN50 (1/2" – 2").

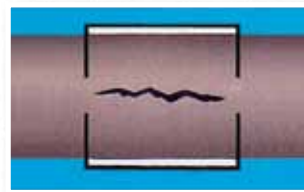
Ideal For



Corrosion holes



Impact Damage



Longitudinal Cracks

Note: HandiRange products will repair localised damage only. The maximum diameter of the hole in PE pipe that can be repaired by HandiClamp varies according to pipe diameter and clamp length.



Pipe Materials

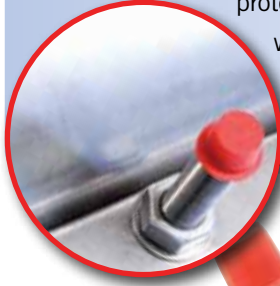
Ductile Iron	Cast Iron
Steel	Stainless Steel
PVC	PE
HEP30	GRP
ABS	Clay
Concrete	Asbestos Cement
Copper	Lead

HandiRange Repair & Tapping Solutions

Product Design Benefits

Corrosion Protection

Components constructed of fully-passivated stainless steel (Grade 304) with no need for any further protection on site (e.g. on-site wrapping). Bolts are secured with Dacromet coated nuts to prevent galling.



Easy Installation

Rapid installation in poor site conditions, made easy with simple, 'flip-over' action and self retaining bolts.



First Time Seal

All encompassing waffle gasket offers a guaranteed reliable seal even on badly corroded pipes.

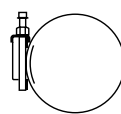
Pipe Repairs

Customer Benefits

- ▶ No specialist equipment required, standard under-pressure equipment can be used with HandiTape and HandiTee.
- ▶ No costly mains shutdown with HandiTape and HandiTee, allowing branch connections whilst under pressure.

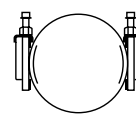
- ▶ Reduced stock holding due to wide tolerance in the range.

1 part clamp



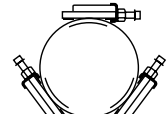
Up to 10mm tolerance

2 part clamp



Up to 20mm tolerance

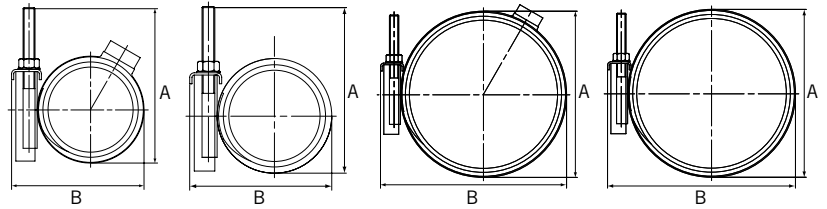
3 part clamp



Up to 30mm tolerance

HandiClamp & HandiTap Single Band

Specifications



Single Band HandiClamp & HandiTap

OD Range (mm)	A (mm)	B (mm)	Max Outlet Size*	Working** Pressure (bar)		Clamp Length***													
						150 (mm)		200 (mm)		250 (mm)		300 (mm)		400 (mm)		500 (mm)			
						Bolt Details		Bolt Details		Bolt Details		Bolt Details		Bolt Details		Bolt Details			
BSP	Water	Gas	No.-Dia x Length	Weight (kg)	No.-Dia x Length	Weight (kg)	No.-Dia x Length	Weight (kg)	No.-Dia x Length	Weight (kg)	No.-Dia x Length	Weight (kg)	No.-Dia x Length	Weight (kg)					
44 - 48	141	77	1.25" BSP	24.0	4.0	2-M12 x 135	1.13	2-M12 x 135	1.35	3-M12 x 135	1.89	3-M12 x 135	2.10						
48 - 52	143	82	1.25" BSP	24.0	4.0	2-M12 x 135	1.15	2-M12 x 135	1.37	3-M12 x 135	1.93	3-M12 x 135	2.14						
54 - 58	146	88	1.5" BSP	24.0	4.0	2-M12 x 135	1.18	2-M12 x 135	1.41	3-M12 x 135	1.98	3-M12 x 135	2.20						
58 - 64	148	92	1.5" BSP	24.0	4.0	2-M12 x 135	1.20	2-M12 x 135	1.44	3-M12 x 135	2.01	3-M12 x 135	2.24						
60 - 67	149	94	1.5" BSP	24.0	4.0	2-M12 x 135	1.21	2-M12 x 135	1.45	3-M12 x 135	2.03	3-M12 x 135	2.26						
63 - 70	151	97	1.5" BSP	24.0	4.0	2-M12 x 135	1.23	2-M12 x 135	1.47	3-M12 x 135	2.05	3-M12 x 135	2.29						
68 - 76	153	102	1.5" BSP	24.0	4.0	2-M12 x 135	1.25	2-M12 x 135	1.51	3-M12 x 135	2.09	3-M12 x 135	2.34						
75 - 83	157	109	1.5" BSP	24.0	4.0	2-M12 x 135	1.29	2-M12 x 135	1.55	3-M12 x 135	2.15	3-M12 x 135	2.41						
82 - 89	160	116	1.5" BSP	20.0	4.0	2-M12 x 135	1.36	2-M12 x 135	1.60	3-M12 x 135	2.21	3-M12 x 135	2.48						
87 - 96	163	121	1.5" BSP	20.0	4.0	2-M12 x 135	1.38	2-M12 x 135	1.63	3-M12 x 135	2.25	3-M12 x 135	2.53	4-M12 x 135	3.38				
95 - 105	167	129	2.0" BSP	20.0	4.0	2-M12 x 135	1.49	2-M12 x 135	1.77	3-M12 x 135	2.42	3-M12 x 135	2.73	4-M12 x 135	3.65				
102 - 112	170	136	2.0" BSP	20.0	4.0	2-M12 x 135	1.54	2-M12 x 135	1.83	3-M12 x 135	2.49	3-M12 x 135	2.83	4-M12 x 135	3.78				
113 - 123	176	147	2.0" BSP	20.0	4.0	2-M14 x 135	1.67	2-M14 x 135	1.98	3-M14 x 135	2.70	3-M14 x 135	3.05	4-M14 x 135	4.07				
120 - 130	179	154	2.0" BSP	16.0	4.0	2-M14 x 135	1.71	2-M14 x 135	2.09	3-M14 x 135	2.84	3-M14 x 135	3.21	4-M14 x 135	4.29				
132 - 142	185	166	2.0" BSP	16.0	4.0			2-M14 x 135	2.17	3-M14 x 135	2.94	3-M14 x 135	3.34	4-M14 x 135	4.47				
135 - 145	187	169	2.0" BSP	16.0	4.0			2-M14 x 135	2.19	3-M14 x 135	2.97	3-M14 x 135	3.37	4-M14 x 135	4.51				
147 - 157	193	181	2.0" BSP	16.0	4.0			2-M14 x 135	2.28	3-M14 x 135	3.08	3-M14 x 135	3.50	4-M14 x 135	4.68				
151 - 161	195	185	2.0" BSP	16.0	4.0			2-M14 x 135	2.31	3-M14 x 135	3.11	3-M14 x 135	3.54	4-M14 x 135	4.73				
160 - 170	199	194	2.0" BSP	16.0	4.0			2-M14 x 135	2.39	3-M14 x 135	3.22	3-M14 x 135	3.67	4-M14 x 135	4.91				
167 - 178	203	201	2.0" BSP	16.0	4.0			2-M14 x 135	2.44	3-M14 x 135	3.28	3-M14 x 135	3.75	4-M14 x 135	5.00				
176 - 187	207	210	2.0" BSP	16.0	4.0			2-M14 x 135	2.50	3-M14 x 135	3.36	3-M14 x 135	3.84	4-M14 x 135	5.13				
186 - 196	212	220	2.0" BSP	16.0	4.0			2-M14 x 135	2.58	3-M14 x 135	3.45	3-M14 x 135	3.95	4-M14 x 135	5.27				
193 - 203	216	227	2.0" BSP	16.0	4.0			2-M14 x 135	2.63	3-M14 x 135	3.51	3-M14 x 135	4.02	4-M14 x 135	5.37				
200 - 210	219	234	2.0" BSP	16.0	4.0			2-M14 x 135	2.88	3-M14 x 135	3.83	3-M14 x 135	4.40	4-M14 x 135	5.88				
215 - 225	227	249	2.0" BSP	16.0	4.0			2-M14 x 135	3.00	3-M14 x 135	3.98	3-M14 x 135	4.59	4-M14 x 135	6.12	5-M14 x 135	7.71		
219 - 229	229	253	2.0" BSP	16.0	4.0			2-M14 x 135	3.03	3-M14 x 135	4.02	3-M14 x 135	4.64	4-M14 x 135	6.19	5-M14 x 135	7.79		
230 - 240	239	264	2.0" BSP	10.0	2.5					3-M14 x 135	4.13	3-M14 x 135	4.77	4-M14 x 135	6.37	5-M14 x 135	8.02		
237 - 247	246	271	2.0" BSP	10.0	2.5					3-M14 x 135	4.21	3-M14 x 135	4.86	4-M14 x 135	6.48	5-M14 x 135	8.16		
240 - 250	249	274	2.0" BSP	10.0	2.5					3-M14 x 135	4.23	3-M14 x 135	4.89	4-M14 x 135	6.53	5-M14 x 135	8.22		
250 - 260	259	284	2.0" BSP	10.0	2.5					3-M14 x 135	4.33	3-M14 x 135	5.01	4-M14 x 135	6.69	5-M14 x 135	8.42		
257 - 267	266	291	2.0" BSP	10.0	2.5					3-M14 x 135	4.41	3-M14 x 135	5.10	4-M14 x 135	6.80	5-M14 x 135	8.56		
261 - 271	270	295	2.0" BSP	10.0	2.5					3-M14 x 135	4.45	3-M14 x 135	5.15	4-M14 x 135	6.87	5-M14 x 135	8.64		
270 - 280	279	304	2.0" BSP	10.0	2.5					3-M14 x 135	4.54	3-M14 x 135	5.26	4-M14 x 135	7.02	5-M14 x 135	8.83		
280 - 291	289	314	2.0" BSP	10.0	2.5					3-M14 x 135	4.64	3-M14 x 135	5.38	4-M14 x 135	7.18	5-M14 x 135	9.03		
290 - 300	299	324	2.0" BSP	6.0	1.5					3-M14 x 135	4.74	3-M14 x 135	5.50	4-M14 x 135	7.34	5-M14 x 135	9.23		
300 - 310	308	333	2.0" BSP	6.0	1.5					3-M14 x 135	4.84	3-M14 x 135	5.62	4-M14 x 135	7.50	5-M14 x 135	9.43		
310 - 320	319	343	2.0" BSP	6.0	1.5					3-M14 x 135	4.94	3-M14 x 135	5.74	4-M14 x 135	7.67	5-M14 x 135	9.64		
315 - 325	328	349	2.0" BSP	6.0	1.5					3-M14 x 135	5.00	3-M14 x 135	5.81	4-M14 x 135	7.75	5-M14 x 135	9.74		
320 - 330	329	354	2.0" BSP	6.0	1.5					3-M14 x 135	5.04	3-M14 x 135	5.86	4-M14 x 135	7.83	5-M14 x 135	9.84		
330 - 340	339	364	2.0" BSP	6.0	1.5					3-M14 x 135	5.15	3-M14 x 135	5.99	4-M14 x 135	7.99	5-M14 x 135	10.04		
340 - 350	349	374	2.0" BSP	6.0	1.5					3-M14 x 135	5.25	3-M14 x 135	6.11	4-M14 x 135	8.15	5-M14 x 135	10.24		
350 - 360	359	384	2.0" BSP	6.0	1.5					3-M14 x 135	5.35	3-M14 x 135	6.23	4-M14 x 135	8.32	5-M14 x 135	10.45		

*This is the maximum size BSP outlet offered. Smaller outlets are available: 0.75", 1.0", 1.25", 1.5", 1.75", 2.0". **The rated working pressures quoted above for water applications are based on worst case scenarios including circumferential cracks. When used to repair pipelines with less severe damage and dependant on the pipe surface, higher working pressures may be achieved. ***When using HandiRange products on PE pipe, consideration to clamp length must be given, please contact the Viking Johnson Marketing Department for more details.

Materials & Relevant Standards

Body & Plates

Shell, channel plate, bridging plate, lug plate & nut plate
Stainless Steel to BS1449:Part 2 GRADE 304S15

Gasket

EPDM to BS EN681-1, TYPE WA, WC or Nitrile to BS EN682,
Type G 60 IRHD moulded compound

Studs/Nuts/Washers

Studs - Stainless Steel to BS EN ISO3506-1 GRADE A2 Property Class 50

Nuts - Stainless Steel to BS EN ISO 3506-2 GRADE A4 Property Class 80

Washers - Stainless Steel BS1449:PART 2 GRADE 304S15

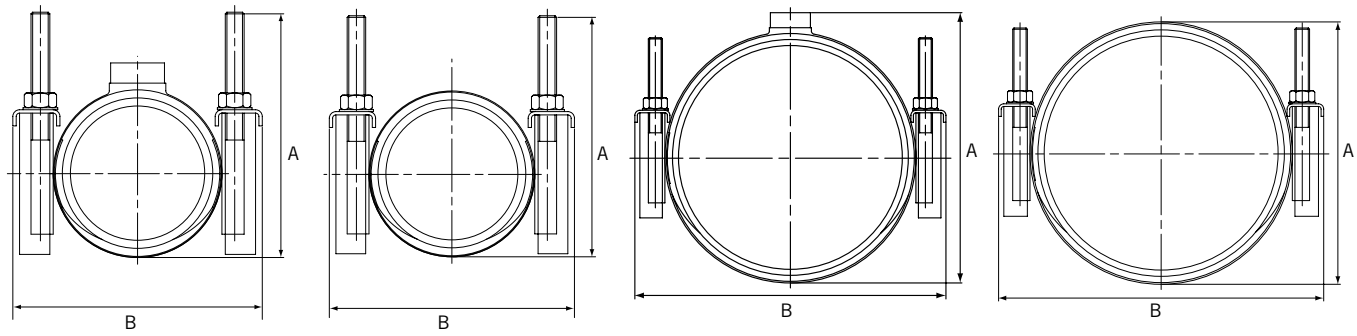
Bolt Torques

M12 = 55 - 65Nm • M14 = 70 - 85Nm • M16 = 95 - 110Nm

Every effort has been made to ensure that the information contained in this publication is accurate at the time of publishing. Crane Ltd assumes no responsibility or liability for typographical errors or omissions or for any misinterpretation of the information within the publication and reserves the right to change without notice.

HandiClamp & HandiTap Double Band

Specifications



Double Band HandiClamp & HandiTap

OD Range (mm)	A (mm)	B (mm)	Max Outlet Size*	Working Pressure (bar)**		Clamp Length***							
						200 (mm)		250 (mm)		300 (mm)		400 (mm)	
						Bolt Details		Bolt Details		Bolt Details		Bolt Details	
						No.-Dia x Length	Weight (kg)	No.-Dia x Length	Weight (kg)	No.-Dia x Length	Weight (kg)	No.-Dia x Length	Weight (kg)
88 - 110	163	122	1.0" BSP	20.0	4.0	4-M12 x 135	2.50	6-M12 x 135	3.76	6-M12 x 135	4.14	8-M12 x 135	5.69
108 - 128	173	142	1.5" BSP	20.0	4.0	4-M12 x 135	2.67	6-M12 x 135	3.97	6-M12 x 135	4.40	8-M12 x 135	6.03
113 - 133	176	147	1.5" BSP	20.0	4.0	4-M14 x 135	2.77	6-M14 x 135	4.09	6-M14 x 135	4.54	8-M14 x 135	6.22
120 - 140	179	154	1.5" BSP	20.0	4.0	4-M14 x 135	2.81	6-M14 x 135	4.15	6-M14 x 135	4.61	8-M14 x 135	6.31
130 - 150	184	164	1.5" BSP	16.0	4.0	4-M14 x 135	2.88	6-M14 x 135	4.24	6-M14 x 135	4.72	8-M14 x 135	6.46
140 - 160	189	173	2.0" BSP	16.0	4.0	4-M14 x 135	2.95	6-M14 x 135	4.33	6-M14 x 135	4.82	8-M14 x 135	6.59
150 - 170	194	184	2.0" BSP	16.0	4.0	4-M14 x 135	3.07	6-M14 x 135	4.47	6-M14 x 135	4.99	8-M14 x 135	6.82
159 - 180	199	192	2.0" BSP	16.0	4.0	4-M14 x 135	3.13	6-M14 x 135	4.55	6-M14 x 135	5.09	8-M14 x 135	6.95
168 - 189	203	201	2.0" BSP	16.0	4.0	4-M14 x 135	3.19	6-M14 x 135	4.63	6-M14 x 135	5.18	8-M14 x 135	7.07
170 - 190	204	204	2.0" BSP	16.0	4.0	4-M14 x 135	3.21	6-M14 x 135	4.65	6-M14 x 135	5.21	8-M14 x 135	7.11
175 - 195	207	208	2.0" BSP	16.0	4.0	4-M14 x 135	3.24	6-M14 x 135	4.69	6-M14 x 135	5.26	8-M14 x 135	7.17
190 - 210	214	224	2.0" BSP	16.0	4.0	4-M14 x 135	3.35	6-M14 x 135	4.82	6-M14 x 135	5.42	8-M14 x 135	7.39
205 - 225	222	239	2.0" BSP	16.0	4.0	4-M14 x 135	3.67	6-M14 x 135	5.22	6-M14 x 135	5.90	8-M14 x 135	8.03
210 - 230	224	243	2.0" BSP	16.0	4.0	4-M14 x 135	3.71	6-M14 x 135	5.27	6-M14 x 135	5.95	8-M14 x 135	8.10
216 - 238	227	250	2.0" BSP	16.0	4.0	4-M14 x 135	3.76	6-M14 x 135	5.33	6-M14 x 135	6.03	8-M14 x 135	8.20
220 - 242	229	254	2.0" BSP	10.0	2.5	4-M14 x 135	3.79	6-M14 x 135	5.37	6-M14 x 135	6.08	8-M14 x 135	8.27
240 - 260	248	273	2.0" BSP	10.0	2.5	4-M14 x 135	3.95	6-M14 x 135	5.57	6-M14 x 135	6.32	8-M14 x 135	8.59
243 - 263	252	277	2.0" BSP	10.0	2.5	4-M14 x 135	3.98	6-M14 x 135	5.60	6-M14 x 135	6.36	8-M14 x 135	8.64
255 - 275	264	289	2.0" BSP	10.0	2.5	4-M14 x 135	4.07	6-M14 x 135	5.73	6-M14 x 135	6.65	8-M14 x 135	8.83
272 - 292	280	306	2.0" BSP	10.0	2.5	4-M14 x 135	4.21	6-M14 x 135	5.90	6-M14 x 135	6.71	8-M14 x 135	9.11
282 - 302	290	315	2.0" BSP	6.0	1.5	4-M14 x 135	4.29	6-M14 x 135	6.00	6-M14 x 135	6.83	8-M14 x 135	9.27
295 - 315	304	329	2.0" BSP	6.0	1.5	4-M14 x 135	4.40	6-M14 x 135	6.13	6-M14 x 135	6.99	8-M14 x 135	9.48
307 - 327	316	341	2.0" BSP	6.0	1.5	4-M14 x 135	4.50	6-M14 x 135	6.25	6-M14 x 135	7.14	8-M14 x 135	9.68
315 - 335	323	348	2.0" BSP	6.0	1.5	4-M14 x 135	4.56	6-M14 x 135	6.33	6-M14 x 135	7.23	8-M14 x 135	9.80
319 - 339	328	353	2.0" BSP	6.0	1.5	4-M14 x 135	4.59	6-M14 x 135	6.38	6-M14 x 135	7.28	8-M14 x 135	9.88
322 - 344	330	355	2.0" BSP	6.0	1.5	4-M14 x 135	4.62	6-M14 x 135	6.40	6-M14 x 135	7.32	8-M14 x 135	9.92
333 - 353	342	367	2.0" BSP	6.0	1.5			6-M14 x 135	6.52	6-M14 x 135	7.45	8-M14 x 135	10.10
341 - 361	350	375	2.0" BSP	6.0	1.5			6-M14 x 135	6.60	6-M14 x 135	7.55	8-M14 x 135	10.23
365 - 385	374	399	2.0" BSP	5.0	1.25			6-M14 x 135	6.84	6-M14 x 135	7.84	8-M14 x 135	10.62
396 - 416	405	430	2.0" BSP	5.0	1.25			6-M14 x 135	7.16	6-M14 x 135	8.22	8-M14 x 135	11.13
410 - 430	419	444	2.0" BSP	4.9	1.22			6-M14 x 135	7.30	6-M14 x 135	8.39	8-M14 x 135	11.35

*This is the maximum size BSP outlet offered. Smaller outlets are available: 0.75", 1.0", 1.25", 1.5", 1.75", 2.0".**The rated working pressures quoted above for water applications are based on worst case scenarios including circumferential cracks. When used to repair pipelines with less severe damage and dependant on the pipe surface, higher working pressures may be achieved.

***When using HandiRange products on PE pipe, consideration to clamp length must be given, please contact the Viking Johnson Marketing Department for more details.

Materials & Relevant Standards

Body & Plates

Shell, channel plate, bridging plate, lug plate & nut plate
Stainless Steel to BS1449:Part 2 GRADE 304S15

Gasket

EPDM to BS EN681-1, TYPE WA, WC or Nitrile to BS EN682,
Type G 60 IRHD moulded compound

Studs/Nuts/Washers

Studs - Stainless Steel to BS EN ISO3506-1 GRADE A2 Property Class 50

Nuts - Stainless Steel to BS EN ISO 3506-2 GRADE A4 Property Class 80

Washers - Stainless Steel BS1449:PART 2 GRADE 304S15

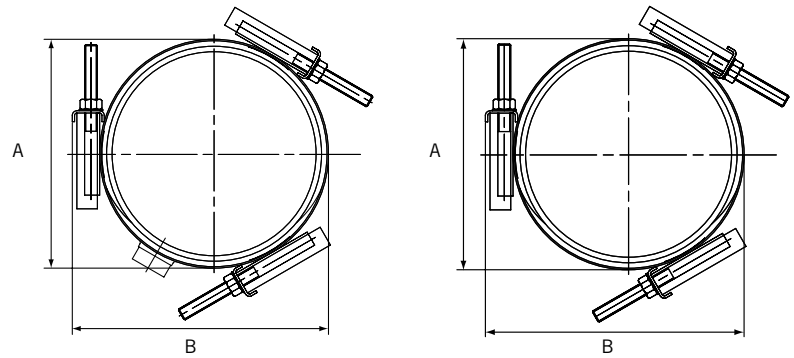
Bolt Torques

M12 = 55 - 65Nm • M14 = 70 - 85Nm • M16 = 95 - 110Nm

Every effort has been made to ensure that the information contained in this publication is accurate at the time of publishing. Crane Ltd assumes no responsibility or liability for typographical errors or omissions or for any misinterpretation of the information within the publication and reserves the right to change without notice.

HandiClamp & HandiTap Triple Band

Specifications



Triple Band HandiClamp & HandiTap

OD Range (mm)	A (mm)	B (mm)	Max Outlet Size*	Working** pressure (bar)		Clamp Length***							
						300 (mm)		400 (mm)		500 (mm)		600 (mm)	
						Bolt Details		Bolt Details		Bolt Details		Bolt Details	
						BSP	Water	Gas	No.-Dia x Length	Weight (kg)	No.-Dia x Length	Weight (kg)	No.-Dia x Length
270 - 300	279	303	2.0" BSP	7.4	1.9	9-M14 x 135	9.23	12-M14 x 135	12.34	15-M14 x 135	15.58	18 - M14x135	17.95
310 - 340	319	344	2.0" BSP	6.5	1.6	9-M14 x 135	9.72	12-M14 x 135	12.99	15-M14 x 135	16.40	18 - M14x135	18.93
335 - 365	344	369	2.0" BSP	6.0	1.5	9-M14 x 135	10.02	12-M14 x 135	13.39	15-M14 x 135	16.90	18 - M14x135	19.53
340 - 370	349	374	2.0" BSP	6.0	1.5	9-M14 x 135	10.08	12-M14 x 135	13.47	15-M14 x 135	17.00	18 - M14x135	19.65
360 - 390	369	394	2.0" BSP	5.6	1.4	9-M14 x 135	10.33	12-M14 x 135	13.79	15-M14 x 135	17.40	18 - M14x135	20.14
385 - 415	393	418	2.0" BSP	5.2	1.3	9-M14 x 135	10.63	12-M14 x 135	14.19	15-M14 x 135	17.91	18 - M14x135	20.74
395 - 425	404	429	2.0" BSP	5.1	1.3	9-M14 x 135	10.75	12-M14 x 135	14.36	15-M14 x 135	18.12	18 - M14x135	21.00
410 - 440	418	443	2.0" BSP	4.9	1.2	9-M14 x 135	10.93	12-M14 x 135	14.60	15-M14 x 135	18.41	18 - M14x135	21.35
420 - 450	429	454	2.0" BSP	4.8	1.2	9-M14 x 135	11.06	12-M14 x 135	14.77	15-M14 x 135	18.62	18 - M14x135	21.60
435 - 465	444	469	2.0" BSP	4.6	1.1	9-M14 x 135	11.24	12-M14 x 135	15.01	15-M14 x 135	18.93	18 - M14x135	21.97
440 - 470	449	474	2.0" BSP	4.5	1.1	9-M14 x 135	11.30	12-M14 x 135	15.09	15-M14 x 135	19.03	18 - M14x135	22.09
450 - 480	458	483	2.0" BSP	4.4	1.1	9-M14 x 135	11.42	12-M14 x 135	15.25	15-M14 x 135	19.22	18 - M14x135	22.32
475 - 505	483	508	2.0" BSP	4.2	1.1	9-M16 x 135	13.89	12-M16 x 135	18.55	15-M16 x 135	23.35	18 - M16x135	27.27
485 - 515	494	519	2.0" BSP	4.1	1.0	9-M16 x 135	14.06	12-M16 x 135	18.77	15-M16 x 135	23.62	18 - M16x135	27.60
505 - 535	514	539	2.0" BSP	4.0	1.0	9-M16 x 135	14.38	12-M16 x 135	19.19	15-M16 x 135	24.15	18 - M16x135	28.24
510 - 540	519	544	2.0" BSP	3.9	1.0	9-M16 x 135	14.45	12-M16 x 135	19.29	15-M16 x 135	24.28	18 - M16x135	28.39
520 - 550	529	554	2.0" BSP	3.8	1.0	9-M16 x 135	14.62	12-M16 x 135	19.51	15-M16 x 135	24.56	18 - M16x135	28.72
530 - 560	539	564	2.0" BSP	3.8	0.9	9-M16 x 135	14.77	12-M16 x 135	19.72	15-M16 x 135	24.81	18 - M16x135	29.02
535 - 565	543	568	2.0" BSP	3.7	0.9	9-M16 x 135	14.84	12-M16 x 135	19.82	15-M16 x 135	24.94	18 - M16x135	29.18
560 - 590	568	593	2.0" BSP	3.6	0.9	9-M16 x 135	15.24	12-M16 x 135	20.34	15-M16 x 135	25.59	18 - M16x135	29.96
570 - 600	579	604	2.0" BSP	3.5	0.9	9-M16 x 135	15.40	12-M16 x 135	20.56	15-M16 x 135	25.87	18 - M16x135	30.30
585 - 615	594	619	2.0" BSP	3.4	0.9	9-M16 x 135	15.65	12-M16 x 135	20.89	15-M16 x 135	26.27	18 - M16x135	30.78
610 - 640	619	644	2.0" BSP	3.3	0.8	9-M16 x 135	16.04	12-M16 x 135	21.41	15-M16 x 135	26.93	18 - M16x135	31.57
640 - 670	648	673	2.0" BSP	3.1	0.8	9-M16 x 135	16.51	12-M16 x 135	22.03	15-M16 x 135	27.71	18 - M16x135	32.50
670 - 700	679	704	2.0" BSP	3.0	0.7	9-M16 x 135	16.99	12-M16 x 135	22.68	15-M16 x 135	28.51	18 - M16x135	33.47
680 - 710	689	714	2.0" BSP	2.9	0.7	9-M16 x 135	17.14	12-M16 x 135	22.88	15-M16 x 135	28.77	18 - M16x135	33.77

*This is the maximum size BSP outlet offered. Smaller outlets are available: 0.75", 1.0", 1.25", 1.5", 1.75", 2.0". **The rated working pressures quoted above for water applications are based on worst case scenarios including circumferential cracks. When used to repair pipelines with less severe damage and dependant on the pipe surface, higher working pressures may be achieved. ***When using HandiRange products on PE pipe, consideration to clamp length must be given, please contact the Viking Johnson Marketing Department for more details.

Materials & Relevant Standards

Body & Plates

Shell, channel plate, bridging plate, lug plate & nut plate
Stainless Steel to BS1449:Part 2 GRADE 304S15

Gasket

EPDM to BS EN681-1, TYPE WA, WC or Nitrile to BS EN682,
Type G 60 IRHD moulded compound

Studs/Nuts/Washers

Studs - Stainless Steel to BS EN ISO3506-1 GRADE A2 Property Class 50

Nuts - Stainless Steel to BS EN ISO 3506-2 GRADE A4 Property Class 80

Washers - Stainless Steel BS1449:PART 2 GRADE 304S15

Bolt Torques

M12 = 55 - 65Nm • M14 = 70 - 85Nm • M16 = 95 - 110Nm

Every effort has been made to ensure that the information contained in this publication is accurate at the time of publishing. Crane Ltd assumes no responsibility or liability for typographical errors or omissions or for any misinterpretation of the information within the publication and reserves the right to change without notice.

HandiBand

Specifications

3" = 1 Bolt

6" = 2 Bolts

HandiBand

Nom Dia	OD Range	Working Pressure (bar)		Clamp Length
		Water	Gas	
0.50"	15.0 - 22.0	7.0	1.8	3" (75mm)
0.50"	15.0 - 22.0	7.0	1.8	6" (150mm)
0.75"	26.0 - 30.0	7.0	1.8	3" (75mm)
0.75"	26.0 - 30.0	7.0	1.8	6" (150mm)
1.00"	33.0 - 37.0	7.0	1.8	3" (75mm)
1.00"	33.0 - 37.0	7.0	1.8	6" (150mm)
1.25"	42.0 - 45.0	7.0	1.8	3" (75mm)
1.25"	42.0 - 45.0	7.0	1.8	6" (150mm)
1.50"	48.0 - 54.0	7.0	1.8	3" (75mm)
1.50"	48.0 - 54.0	7.0	1.8	6" (150mm)
2.00"	60.0 - 64.0	7.0	1.8	3" (75mm)
2.00"	60.0 - 64.0	7.0	1.8	6" (150mm)



Materials & Relevant Standards

Shell

Stainless Steel to BS1449:Part2 Grade 304 / Steel No. 1.4301

Lugs

Whitehart malleable cast iron equivalent to BS EN 1562
Grade ENGJMW-400-5

Studs/Nuts

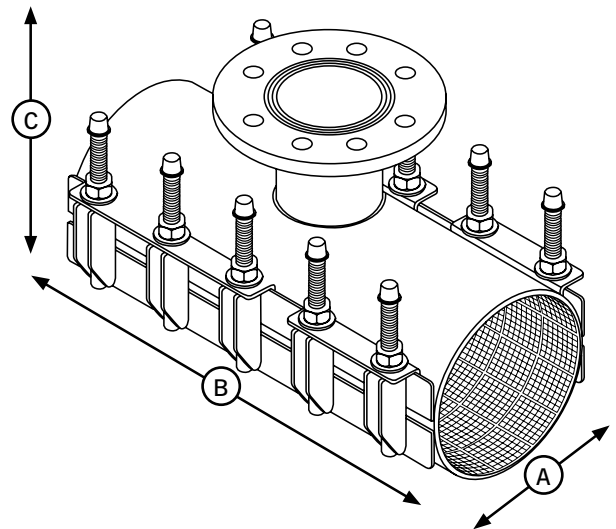
Mild steel to BS EN ISO 898-1 Property class 4.6

Gasket

EPDM to BS EN681-1, TYPE WA, WC or Nitrile to BS EN682:2002, Type G
60 IRHD moulded compound

HandiTee Under Pressure Tapping Tee

Specifications



HandiTee

DN (mm)	OD Range (mm)	Working Pressure		Length of Clamp (mm)											
				300			400			500					
				Gas (bar)	Water (bar)	Max Flange Nom & Flange Drilling	A (mm)	B (mm)	C (mm)	Max Flange Nom & Flange Drilling	A (mm)	B (mm)	C (mm)	Max Flange Nom & Flange Drilling	A (mm)
80	88-110	4	16	DN65 PN10/16	140	300	260	DN65 PN10/16	140	400	260	DN65 PN10/16	140	500	260
80	100-120	4	16	DN65 PN10/16	140	300	260	DN80 PN10/16	140	400	260	DN80 PN10/16	140	500	260
100	108-128	4	16	DN65 PN10/16	160	300	280	DN80 PN10/16	160	400	280	DN80 PN10/16	160	500	280
100	114-134	4	16	DN65 PN10/16	160	300	280	DN80 PN10/16	160	400	280	DN80 PN10/16	160	500	280
100	120-140	4	16	DN65 PN10/16	160	300	280	DN80 PN10/16	160	400	280	DN80 PN10/16	160	500	280
100	130-150	4	16	DN65 PN10/16	160	300	280	DN80 PN10/16	160	400	280	DN100 PN10/16	160	500	280
125	133-155	4	16	DN65 PN10/16	185	300	305	DN100 PN10/16	185	400	305	DN100 PN10/16	185	500	305
125	135-155	4	16	DN65 PN10/16	185	300	305	DN125 PN10/16	185	400	305	DN125 PN10/16	185	500	305
125	140-160	4	16	DN65 PN10/16	185	300	305	DN125 PN10/16	185	400	305	DN125 PN10/16	185	500	305
150	158-180	4	16	DN65 PN10/16	210	300	330	DN125 PN10/16	210	400	330	DN125 PN10/16	210	500	330
150	165-185	4	16	DN65 PN10/16	210	300	330	DN125 PN10/16	210	400	330	DN125 PN10/16	210	500	330
150	168-189	4	16	DN65 PN10/16	210	300	330	DN125 PN10/16	210	400	330	DN125 PN10/16	210	500	330
150	170-190	4	16	DN65 PN10/16	210	300	330	DN150 PN10/16	210	400	330	DN150 PN10/16	210	500	330
150	176-196	4	16	DN65 PN10/16	210	300	330	DN150 PN10/16	210	400	330	DN150 PN10/16	210	500	330
150	180-200	4	16	DN65 PN10/16	210	300	330	DN150 PN10/16	210	400	330	DN150 PN10/16	210	500	330
150	190-210	4	16	DN65 PN10/16	210	300	330	DN150 PN10/16	210	400	330	DN150 PN10/16	210	500	330
150	195-217	4	16	DN65 PN10/16	210	300	330	DN150 PN10/16	210	400	330	DN150 PN10/16	210	500	330
150	205-225	4	16	DN65 PN10/16	210	300	330	DN150 PN10/16	210	400	330	DN150 PN10/16	210	500	330
200	210-230	4	16	DN65 PN10/16	260	300	380	DN150 PN10/16	260	400	380	DN150 PN10/16	260	500	380
200	216-238	3	10	DN65 PN10/16	260	300	380	DN150 PN10/16	260	400	380	DN150 PN10/16	260	500	380
200	225-246	3	10	DN65 PN10/16	260	300	380	DN150 PN10/16	260	400	380	DN150 PN10/16	260	500	380
200	230-250	3	10	DN65 PN10/16	260	300	380	DN150 PN10/16	260	400	380	DN150 PN10/16	260	500	380
225	240-260	3	10	DN65 PN10/16	285	300	405	DN150 PN10/16	285	400	405	DN200 PN10	285	500	405
225	250-270	3	10	DN65 PN10/16	285	300	405	DN150 PN10/16	285	400	405	DN200 PN10	285	500	405
250	260-280	3	10	DN65 PN10/16	310	300	430	DN150 PN10/16	310	400	430	DN200 PN10	310	500	430
250	269-289	3	10	DN65 PN10/16	310	300	430	DN150 PN10/16	310	400	430	DN200 PN10	310	500	430
250	273-293	3	10	DN65 PN10/16	310	300	430	DN150 PN10/16	310	400	430	DN200 PN10	310	500	430
250	282-302	3	10	DN65 PN10/16	310	300	430	DN150 PN10/16	310	400	430	DN200 PN10	310	500	430

Materials & Relevant Standards

Body & Plates

Shell, channel plate, bridging plate, lug plate & nut plate
Stainless Steel AISI 304 (A2)

Gasket

EPDM as standard, Nitrile option

Flange Outlets

Stainless Steel AISI 304, flanges according to DIN2576
varying from DN50 up to DN300

Studs/Nuts/Washers

Bolts - Stainless Steel AISI 304 (A2); M16 (metric thread according to DIN267), thread is PTFE coated to prevent galling

Nuts - Stainless Steel AISI 304 (A2). M16 according to DIN934

Bolt Torques

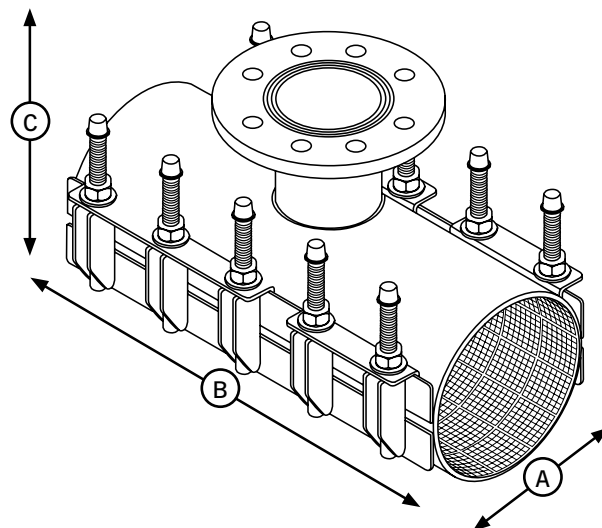
M16 = 95-120Nm

Every effort has been made to ensure that the information contained in this publication is accurate at the time of publishing. Crane Ltd assumes no responsibility or liability for typographical errors or omissions or for any misinterpretation of the information within the publication and reserves the right to change without notice.

When using HandiRange products on PE pipe, consideration to clamp length must be given, please contact the Viking Johnson Marketing Department for more details.

HandiTee Under Pressure Tapping Tee

Specifications



HandiTee

DN (mm)	OD Range (mm)	Working Pressure		Length of Clamp (mm)											
				600			800			1000					
				Gas (bar)	Water (bar)	Max Flange Nom & Flange Drilling	A (mm)	B (mm)	C (mm)	Max Flange Nom & Flange Drilling	A (mm)	B (mm)	C (mm)	Max Flange Nom & Flange Drilling	A (mm)
80	88-110	4	16	DN65 PN10/16	140	600	260	Not Available	Not Available						
80	100-120	4	16	DN80 PN10/16	140	600	260								
100	108-128	4	16	DN80 PN10/16	160	600	280								
100	114-134	4	16	DN80 PN10/16	160	600	280								
100	120-140	4	16	DN80 PN10/16	160	600	280								
100	130-150	4	16	DN100 PN10/16	160	600	280								
125	133-155	4	16	DN100 PN10/16	185	600	305								
125	135-155	4	16	DN125 PN10/16	185	600	305								
125	140-160	4	16	DN125 PN10/16	185	600	305								
150	158-180	4	16	DN125 PN10/16	210	600	330								
150	165-185	4	16	DN125 PN10/16	210	600	330								
150	168-189	4	16	DN125 PN10/16	210	600	330								
150	170-190	4	16	DN150 PN10/16	210	600	330								
150	176-196	4	16	DN150 PN10/16	210	600	330								
150	180-200	4	16	DN150 PN10/16	210	600	330								
150	190-210	4	16	DN150 PN10/16	210	600	330								
150	195-217	4	16	DN150 PN10/16	210	600	330								
150	205-225	4	16	DN150 PN10/16	210	600	330								
200	210-230	4	16	DN150 PN10/16	260	600	380								
200	216-238	3	10	DN150 PN10/16	260	600	380								
200	225-246	3	10	DN150 PN10/16	260	600	380								
200	230-250	3	10	DN150 PN10/16	260	600	380								
225	240-260	3	10	DN200 PN10	285	600	405								
225	250-270	3	10	DN200 PN10	285	600	405								
250	260-280	3	10	DN200 PN10	310	600	430								
250	269-289	3	10	DN200 PN10	310	600	430								
250	273-293	3	10	DN200 PN10	310	600	430								
250	282-302	3	10	DN200 PN10	310	600	430								

Materials & Relevant Standards

Body & Plates

Shell, channel plate, bridging plate, lug plate & nut plate
Stainless Steel AISI 304 (A2)

Gasket

EPDM as standard, Nitrile option

Flange Outlets

Stainless Steel AISI 304, flanges according to DIN2576
varying from DN50 up to DN300

Studs/Nuts/Washers

Bolts - Stainless Steel AISI 304 (A2); M16 (metric thread according to DIN267), thread is PTFE coated to prevent galling

Nuts - Stainless Steel AISI 304 (A2). M16 according to DIN934

Bolt Torques

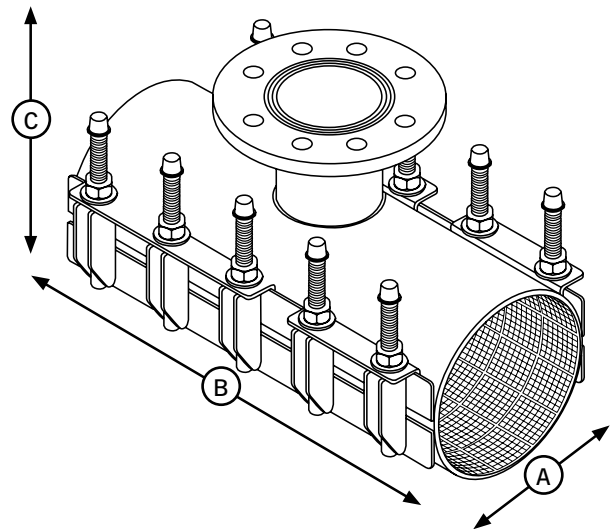
M16 = 95-120Nm

Every effort has been made to ensure that the information contained in this publication is accurate at the time of publishing. Crane Ltd assumes no responsibility or liability for typographical errors or omissions or for any misinterpretation of the information within the publication and reserves the right to change without notice.

When using HandiRange products on PE pipe, consideration to clamp length must be given, please contact the Viking Johnson Marketing Department for more details.

HandiTee Under Pressure Tapping Tee

Specifications



HandiTee

DN (mm)	OD Range (mm)	Working Pressure		Length of Clamp (mm)											
				300				400				500			
				Gas (bar)	Water (bar)	Max Flange Nom & Flange Drilling	A (mm)	B (mm)	C (mm)	Max Flange Nom & Flange Drilling	A (mm)	B (mm)	C (mm)	Max Flange Nom & Flange Drilling	A (mm)
300	295-315	3	10	DN65 PN10/16	360	300	480	DN150 PN10/16	360	400	480	DN200 PN10	360	500	480
300	314-334	3	10	DN65 PN10/16	360	300	480	DN150 PN10/16	360	400	480	DN200 PN10	360	500	480
300	322-344	3	10	DN65 PN10/16	360	300	480	DN150 PN10/16	360	400	480	DN200 PN10	360	500	480
300	335-355	3	10	DN65 PN10/16	360	300	480	DN150 PN10/16	360	400	480	DN200 PN10	360	500	480
300	347-367	3	10					DN150 PN10/16	360	400	480	DN200 PN10	360	500	480
350	350-368	3	10					DN150 PN10/16	410	400	530	DN200 PN10	410	500	530
350	360-380	3	10					DN150 PN10/16	410	400	530	DN200 PN10	410	500	530
350	365-385	3	10					DN150 PN10/16	410	400	530	DN200 PN10	410	500	530
350	382-402	3	10					DN150 PN10/16	410	400	530	DN200 PN10	410	500	530
350	396-420	3	10					DN150 PN10/16	410	400	530	DN200 PN10	410	500	530
400	404-424	3	10					DN150 PN10/16	460	400	580	DN200 PN10	460	500	580
400	410-430	3	10					DN150 PN10/16	460	400	580	DN200 PN10	460	500	580
400	420-440	2	6									DN200 PN10	460	500	580
450	435-455	2	6									DN200 PN10	510	500	630
450	468-488	2	6									DN200 PN10	510	500	630
450	485-505	2	6									DN200 PN10	510	500	630
500	532-552	2	6									DN200 PN10	560	500	680
500	545-575	2	6									DN200 PN10	560	500	680
500	568-498	2	6									DN200 PN10	560	500	680
600	588-618	2	6									DN200 PN10	660	500	780
600	608-638	2	6												
600	628-658	2	6												
600	648-678	2	6												
600	668-698	2	6												
600	688-718	2	6												
700	708-738	2	6												
700	728-758	2	6												
750	748-778	2	6												
750	768-798	2	6												

Materials & Relevant Standards

Body & Plates

Shell, channel plate, bridging plate, lug plate & nut plate
Stainless Steel AISI 304 (A2)

Gasket

EPDM as standard, Nitrile option

Flange Outlets

Stainless Steel AISI 304, flanges according to DIN2576
varying from DN50 up to DN300

Studs/Nuts/Washers

Bolts - Stainless Steel AISI 304 (A2); M16 (metric thread according to DIN267), thread is PTFE coated to prevent galling

Nuts - Stainless Steel AISI 304 (A2). M16 according to DIN934

Bolt Torques

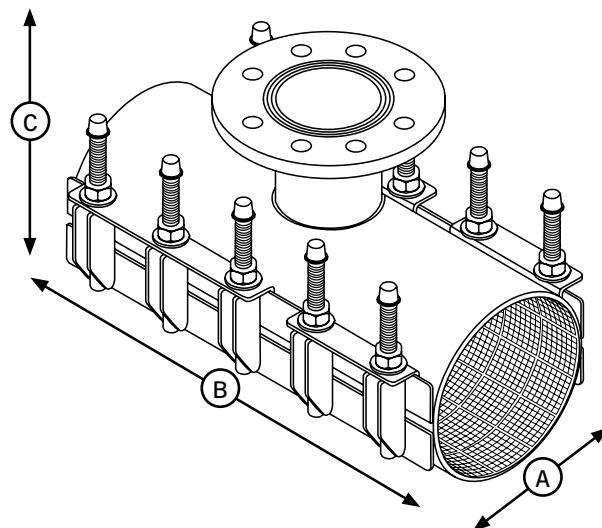
M16 = 95-120Nm

Every effort has been made to ensure that the information contained in this publication is accurate at the time of publishing. Crane Ltd assumes no responsibility or liability for typographical errors or omissions or for any misinterpretation of the information within the publication and reserves the right to change without notice.

When using HandiRange products on PE pipe, consideration to clamp length must be given, please contact the Viking Johnson Marketing Department for more details.

HandiTee Under Pressure Tapping Tee

Specifications



HandiTee

DN (mm)	OD Range (mm)	Working Pressure		Length of Clamp (mm)													
				600			800			1000							
				Gas (bar)	Water (bar)	Max Flange Nom & Flange Drilling	A (mm)	B (mm)	C (mm)	Max Flange Nom & Flange Drilling	A (mm)	B (mm)	C (mm)	Max Flange Nom & Flange Drilling	A (mm)	B (mm)	C (mm)
300	295-315	3	10	DN200 PN10	360	600	480										
300	314-334	3	10	DN250 PN10	360	600	480										
300	322-344	3	10	DN250 PN10	360	600	480										
300	335-355	3	10	DN250 PN10	360	600	480										
300	347-367	3	10	DN250 PN10	360	600	480										
350	350-368	3	10	DN250 PN10	410	600	530										
350	360-380	3	10	DN250 PN10	410	600	530										
350	365-385	3	10	DN250 PN10	410	600	530	DN300 PN10	410	800	530	DN300 PN10	410	1000	530		
350	382-402	3	10	DN250 PN10	410	600	530	DN300 PN10	410	800	530	DN300 PN10	410	1000	530		
350	396-420	3	10	DN250 PN10	410	600	530	DN300 PN10	410	800	530	DN300 PN10	410	1000	530		
400	404-424	3	10	DN250 PN10	460	600	580	DN300 PN10	460	800	580	DN300 PN10	460	1000	580		
400	410-430	3	10	DN250 PN10	460	600	580	DN300 PN10	460	800	580	DN300 PN10	460	1000	580		
400	420-440	2	6	DN250 PN10	460	600	580	DN300 PN10	460	800	580	DN300 PN10	460	1000	580		
450	435-455	2	6	DN250 PN10	510	600	630	DN300 PN10	510	800	630	DN300 PN10	510	1000	630		
450	468-488	2	6	DN250 PN10	510	600	630	DN300 PN10	510	800	630	DN300 PN10	510	1000	630		
450	485-505	2	6	DN250 PN10	510	600	630	DN300 PN10	510	800	630	DN300 PN10	510	1000	630		
500	532-552	2	6	DN250 PN10	560	600	680	DN300 PN10	560	800	680	DN300 PN10	560	1000	680		
500	545-575	2	6	DN250 PN10	560	600	680	DN300 PN10	560	800	680	DN300 PN10	560	1000	680		
500	568-498	2	6	DN250 PN10	560	600	680	DN300 PN10	560	800	680	DN300 PN10	560	1000	680		
600	588-618	2	6	DN250 PN10	660	600	780	DN300 PN10	660	800	780	DN300 PN10	660	1000	780		
600	608-638	2	6	DN250 PN10	660	600	780	DN300 PN10	660	800	780	DN300 PN10	660	1000	780		
600	628-658	2	6	DN250 PN10	660	600	780	DN300 PN10	660	800	780	DN300 PN10	660	1000	780		
600	648-678	2	6	DN250 PN10	660	600	780	DN300 PN10	660	800	780	DN300 PN10	660	1000	780		
600	668-698	2	6	DN250 PN10	660	600	780	DN300 PN10	660	800	780	DN300 PN10	660	1000	780		
600	688-718	2	6	DN250 PN10	660	600	780	DN300 PN10	660	800	780	DN300 PN10	660	1000	780		
700	708-738	2	6	DN250 PN10	760	600	880	DN300 PN10	760	800	880	DN300 PN10	760	1000	880		
700	728-758	2	6	DN250 PN10	760	600	880	DN300 PN10	760	800	880	DN300 PN10	760	1000	880		
750	748-778	2	6	DN250 PN10	810	600	930	DN300 PN10	810	800	930	DN300 PN10	810	1000	930		
750	768-798	2	6	DN250 PN10	810	600	930	DN300 PN10	810	800	930	DN300 PN10	810	1000	930		

Materials & Relevant Standards

Body & Plates

Shell, channel plate, bridging plate, lug plate & nut plate
Stainless Steel AISI 304 (A2)

Gasket

EPDM as standard, Nitrile option

Flange Outlets

Stainless Steel AISI 304, flanges according to DIN2576
varying from DN50 up to DN300

Studs/Nuts/Washers

Bolts - Stainless Steel AISI 304 (A2); M16 (metric thread according to DIN267), thread is PTFE coated to prevent galling

Nuts - Stainless Steel AISI 304 (A2). M16 according to DIN934

Bolt Torques

M16 = 95-120Nm

Every effort has been made to ensure that the information contained in this publication is accurate at the time of publishing. Crane Ltd assumes no responsibility or liability for typographical errors or omissions or for any misinterpretation of the information within the publication and reserves the right to change without notice.

When using HandiRange products on PE pipe, consideration to clamp length must be given, please contact the Viking Johnson Marketing Department for more details.



HandiRange - The pipe repair product that seals first time even on badly corroded pipes.



46-48 WILBURY WAY
HITCHIN, HERTFORDSHIRE
SG4 0UD. UNITED KINGDOM
TELEPHONE: +44 (0)1462 443322
FAX: +44 (0)1462 443311
EMAIL: info@vikingjohnson.com

www.vikingjohnson.com

Every effort has been made to ensure that the information contained in this publication is accurate at the time of publishing. Crane Ltd assumes no responsibility or liability for typographical errors or omissions or for any misinterpretation of the information within the publication and reserves the right to change without notice.



ISO 14001 • EMS 51874



ISO 9001 • FM 00311



To visit our Video Library go to:
www.youtube.com/user/CraneBSU

- Designed and manufactured under quality management systems in accordance with BS EN ISO 9001.
- Environmental Management System accredited to ISO 14001.
- For full terms and conditions, please visit our website.

DR7976_04_2015

PIONEERS IN PIPE SOLUTIONS



www.cranesbu.com

