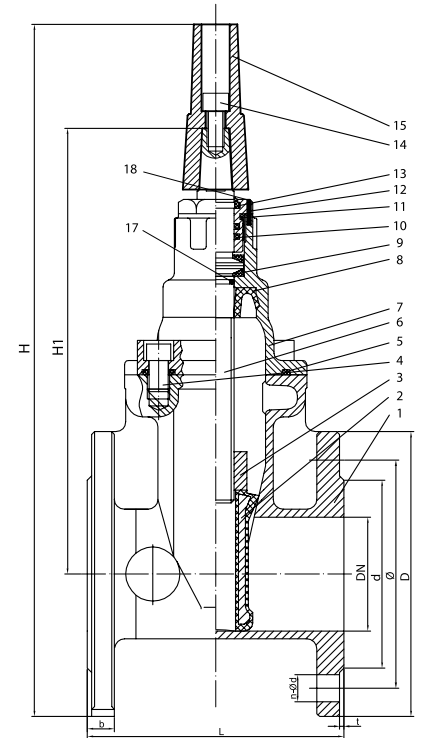
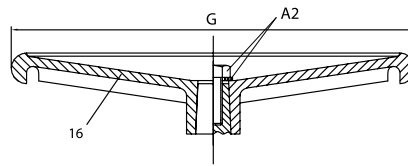


Resilient Seated Gate Valve - Series 31, 32, 33 & 34 BS5163

Specifications



No.	Item	Material
1	Body	Ductile Iron
2	Wedge	EPDM Encapsulated Ductile Iron Wedge
3	Stem Nut	DZR Brass
4	Capscrews	Stainless Steel
5	Bonnet Gasket	EPDM
6	Stem	Stainless Steel
7	Bonnet	Ductile Iron
8	Seal	EPDM
9	Washer	Nylon

No.	Item	Item
10	O-Rings	EPDM
11	O-Ring	EPDM
12	Gland Bush	DZR Brass
13	Wiper Ring	EPDM
14	Capscrew	Stainless Steel
15	Stem Cap	Ductile Iron
16	Handwheel	Ductile Iron
17	O-Ring	EPDM
18	Pin	Stainless Steel

Resilient Seated Gate Valve

DN	L	N - ØD	D	Ø	D	B	T	H max	H1	G	Wrench (kg)
50	178	4 - ø19	165	125	99	19	178	460	269	ø200	12
65	190	4 - ø19	185	145	118	19	190	485	300	ø200	16
80	203	8 - ø19	200	160	132	19	203	530	336	ø260	20
100	229	8 - ø19	220	180	156	19	229	590	359	ø260	24
125	254	8 - ø19	250	210	184	19	254	640	424	ø315	32
150	267	8 - ø23	285	240	211	19	267	695	441	ø375	41
200	292	12 - ø23	340	295	266	20	292	830	546	ø375	63
250	330	12 - ø23	400	355	319	22	330	940	637	ø400	114
300	356	12 - ø23	455	410	370	24.5	356	1030	719	ø500	168

PN	Non-shock pressure within temperature range	Non-shock pressure at maximum pressure
16	16 bar from 0°C to 80°C	16 bar at 80°C

Materials & Relevant Standards

1. Body

Ductile Iron to EN1563 EN-GJS-500-7

2. Wedge

EPDM Encapsulated Ductile Iron Wedge

3. Stem Nut

DZR Brass to BS EN 12164 CW602N

4/14. Capscrew

Stainless Steel A2

5. Bonnet Gasket

EPDM to BS EN 681

6. Stem

Stainless Steel 304

7. Bonnet

Ductile Iron to EN1563 EN-GJS-500-7

8. Seal

EPDM to BS EN 681

9. Washer

Nylon 1010

10/11/17. O-Rings

EPDM to BS EN 681

12. Gland Bush

DZR Brass to BS EN 12164 CW602N

13. Wiper Ring

EPDM to BS EN 681

15. Stem Cap

Ductile Iron to EN1563 EN-GJS-500-7

16. Handwheel

Ductile Iron to EN1563 EN-GJS-500-7

18. Pin

Stainless Steel 304

Approval/Standards

BS EN 1074 1 & 2

Seat – 1.1 x PN

Body – 1.5 x PN

WRAS Approved Product

– Certificate number 1206082

Size Range DN 50mm - DN 300mm

To EN 1074 parts 1 and 2

Face to Face in accordance with BS5163 and EN 558 series 3

Suitable for buried service

Also suitable for Air conditioning plants, Compressed Air, Irrigation, Fire Protection Systems

Every effort has been made to ensure that the information contained in this publication is accurate at the time of publishing. Crane Ltd assumes no responsibility or liability for typographical errors or omissions or for any misinterpretation of the information within the publication and reserves the right to change without notice.