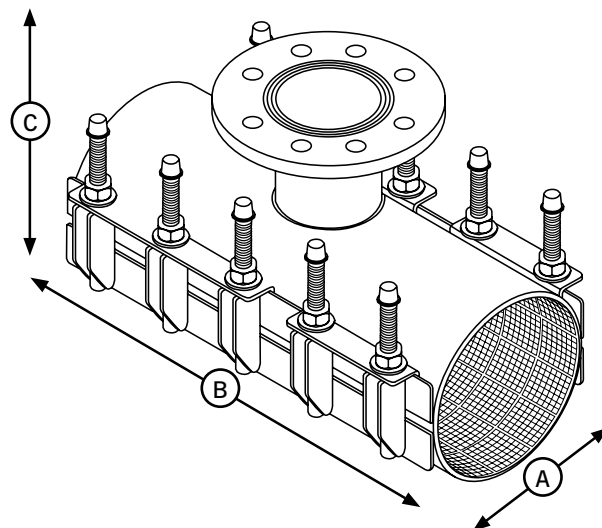


HandiTee Under Pressure Tapping Tee

Specifications



HandiTee

DN (mm)	OD Range (mm)	Working Pressure		Length of Clamp (mm)											
				600			800			1000					
				Gas (bar)	Water (bar)	Max Flange Nom & Flange Drilling	A (mm)	B (mm)	C (mm)	Max Flange Nom & Flange Drilling	A (mm)	B (mm)	C (mm)	Max Flange Nom & Flange Drilling	A (mm)
80	88-110	4	16	DN65 PN10/16	140	600	260	Not Available	Not Available						
80	100-120	4	16	DN80 PN10/16	140	600	260								
100	108-128	4	16	DN80 PN10/16	160	600	280								
100	114-134	4	16	DN80 PN10/16	160	600	280								
100	120-140	4	16	DN80 PN10/16	160	600	280								
100	130-150	4	16	DN100 PN10/16	160	600	280								
125	133-155	4	16	DN100 PN10/16	185	600	305								
125	135-155	4	16	DN125 PN10/16	185	600	305								
125	140-160	4	16	DN125 PN10/16	185	600	305								
150	158-180	4	16	DN125 PN10/16	210	600	330								
150	165-185	4	16	DN125 PN10/16	210	600	330								
150	168-189	4	16	DN125 PN10/16	210	600	330								
150	170-190	4	16	DN150 PN10/16	210	600	330								
150	176-196	4	16	DN150 PN10/16	210	600	330								
150	180-200	4	16	DN150 PN10/16	210	600	330								
150	190-210	4	16	DN150 PN10/16	210	600	330								
150	195-217	4	16	DN150 PN10/16	210	600	330								
150	205-225	4	16	DN150 PN10/16	210	600	330								
200	210-230	4	16	DN150 PN10/16	260	600	380								
200	216-238	3	10	DN150 PN10/16	260	600	380								
200	225-246	3	10	DN150 PN10/16	260	600	380								
200	230-250	3	10	DN150 PN10/16	260	600	380								
225	240-260	3	10	DN200 PN10	285	600	405								
225	250-270	3	10	DN200 PN10	285	600	405								
250	260-280	3	10	DN200 PN10	310	600	430								
250	269-289	3	10	DN200 PN10	310	600	430								
250	273-293	3	10	DN200 PN10	310	600	430								
250	282-302	3	10	DN200 PN10	310	600	430								

Pipe Repairs

Materials & Relevant Standards

Body & Plates

Shell, channel plate, bridging plate, lug plate & nut plate
Stainless Steel AISI 304 (A2)

Gasket

EPDM as standard, Nitrile option

Flange Outlets

Stainless Steel AISI 304, flanges according to DIN2576
varying from DN50 up to DN300

Studs/Nuts/Washers

Bolts - Stainless Steel AISI 304 (A2); M16 (metric thread according to DIN267), thread is PTFE coated to prevent galling

Nuts - Stainless Steel AISI 304 (A2). M16 according to DIN934

Bolt Torques

M16 = 95-120Nm

Every effort has been made to ensure that the information contained in this publication is accurate at the time of publishing. Crane Ltd assumes no responsibility or liability for typographical errors or omissions or for any misinterpretation of the information within the publication and reserves the right to change without notice.

When using HandiRange products on PE pipe, consideration to clamp length must be given, please contact the Viking Johnson Marketing Department for more details.