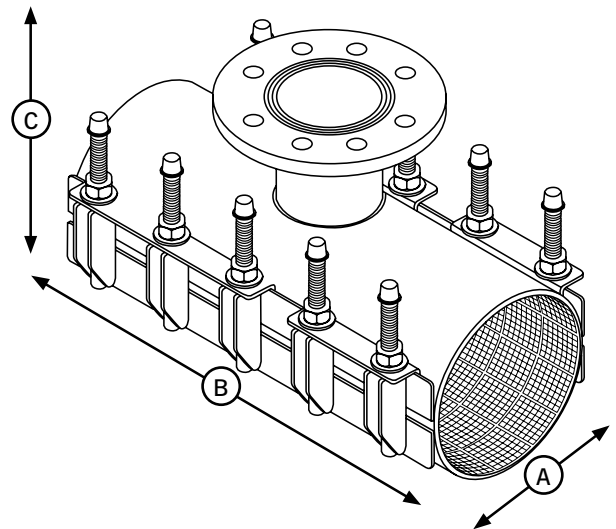


HandiTee Under Pressure Tapping Tee

Specifications



HandiTee

DN (mm)	OD Range (mm)	Working Pressure		Length of Clamp (mm)											
				300			400			500					
				Gas (bar)	Water (bar)	Max Flange Nom & Flange Drilling	A (mm)	B (mm)	C (mm)	Max Flange Nom & Flange Drilling	A (mm)	B (mm)	C (mm)	Max Flange Nom & Flange Drilling	A (mm)
80	88-110	4	16	DN65 PN10/16	140	300	260	DN65 PN10/16	140	400	260	DN65 PN10/16	140	500	260
80	100-120	4	16	DN65 PN10/16	140	300	260	DN80 PN10/16	140	400	260	DN80 PN10/16	140	500	260
100	108-128	4	16	DN65 PN10/16	160	300	280	DN80 PN10/16	160	400	280	DN80 PN10/16	160	500	280
100	114-134	4	16	DN65 PN10/16	160	300	280	DN80 PN10/16	160	400	280	DN80 PN10/16	160	500	280
100	120-140	4	16	DN65 PN10/16	160	300	280	DN80 PN10/16	160	400	280	DN80 PN10/16	160	500	280
100	130-150	4	16	DN65 PN10/16	160	300	280	DN80 PN10/16	160	400	280	DN100 PN10/16	160	500	280
125	133-155	4	16	DN65 PN10/16	185	300	305	DN100 PN10/16	185	400	305	DN100 PN10/16	185	500	305
125	135-155	4	16	DN65 PN10/16	185	300	305	DN125 PN10/16	185	400	305	DN125 PN10/16	185	500	305
125	140-160	4	16	DN65 PN10/16	185	300	305	DN125 PN10/16	185	400	305	DN125 PN10/16	185	500	305
150	158-180	4	16	DN65 PN10/16	210	300	330	DN125 PN10/16	210	400	330	DN125 PN10/16	210	500	330
150	165-185	4	16	DN65 PN10/16	210	300	330	DN125 PN10/16	210	400	330	DN125 PN10/16	210	500	330
150	168-189	4	16	DN65 PN10/16	210	300	330	DN125 PN10/16	210	400	330	DN125 PN10/16	210	500	330
150	170-190	4	16	DN65 PN10/16	210	300	330	DN150 PN10/16	210	400	330	DN150 PN10/16	210	500	330
150	176-196	4	16	DN65 PN10/16	210	300	330	DN150 PN10/16	210	400	330	DN150 PN10/16	210	500	330
150	180-200	4	16	DN65 PN10/16	210	300	330	DN150 PN10/16	210	400	330	DN150 PN10/16	210	500	330
150	190-210	4	16	DN65 PN10/16	210	300	330	DN150 PN10/16	210	400	330	DN150 PN10/16	210	500	330
150	195-217	4	16	DN65 PN10/16	210	300	330	DN150 PN10/16	210	400	330	DN150 PN10/16	210	500	330
150	205-225	4	16	DN65 PN10/16	210	300	330	DN150 PN10/16	210	400	330	DN150 PN10/16	210	500	330
200	210-230	4	16	DN65 PN10/16	260	300	380	DN150 PN10/16	260	400	380	DN150 PN10/16	260	500	380
200	216-238	3	10	DN65 PN10/16	260	300	380	DN150 PN10/16	260	400	380	DN150 PN10/16	260	500	380
200	225-246	3	10	DN65 PN10/16	260	300	380	DN150 PN10/16	260	400	380	DN150 PN10/16	260	500	380
200	230-250	3	10	DN65 PN10/16	260	300	380	DN150 PN10/16	260	400	380	DN150 PN10/16	260	500	380
225	240-260	3	10	DN65 PN10/16	285	300	405	DN150 PN10/16	285	400	405	DN200 PN10	285	500	405
225	250-270	3	10	DN65 PN10/16	285	300	405	DN150 PN10/16	285	400	405	DN200 PN10	285	500	405
250	260-280	3	10	DN65 PN10/16	310	300	430	DN150 PN10/16	310	400	430	DN200 PN10	310	500	430
250	269-289	3	10	DN65 PN10/16	310	300	430	DN150 PN10/16	310	400	430	DN200 PN10	310	500	430
250	273-293	3	10	DN65 PN10/16	310	300	430	DN150 PN10/16	310	400	430	DN200 PN10	310	500	430
250	282-302	3	10	DN65 PN10/16	310	300	430	DN150 PN10/16	310	400	430	DN200 PN10	310	500	430

Materials & Relevant Standards

Body & Plates

Shell, channel plate, bridging plate, lug plate & nut plate
Stainless Steel AISI 304 (A2)

Gasket

EPDM as standard, Nitrile option

Flange Outlets

Stainless Steel AISI 304, flanges according to DIN2576
varying from DN50 up to DN300

Studs/Nuts/Washers

Bolts - Stainless Steel AISI 304 (A2); M16 (metric thread according DIN267), thread is PTFE coated to prevent galling

Nuts - Stainless Steel AISI 304 (A2). M16 according DIN934

Bolt Torques

M16 = 95-120Nm

Every effort has been made to ensure that the information contained in this publication is accurate at the time of publishing. Crane Ltd assumes no responsibility or liability for typographical errors or omissions or for any misinterpretation of the information within the publication and reserves the right to change without notice.

When using HandiRange products on PE pipe, consideration to clamp length must be given, please contact the Viking Johnson Marketing Department for more details.