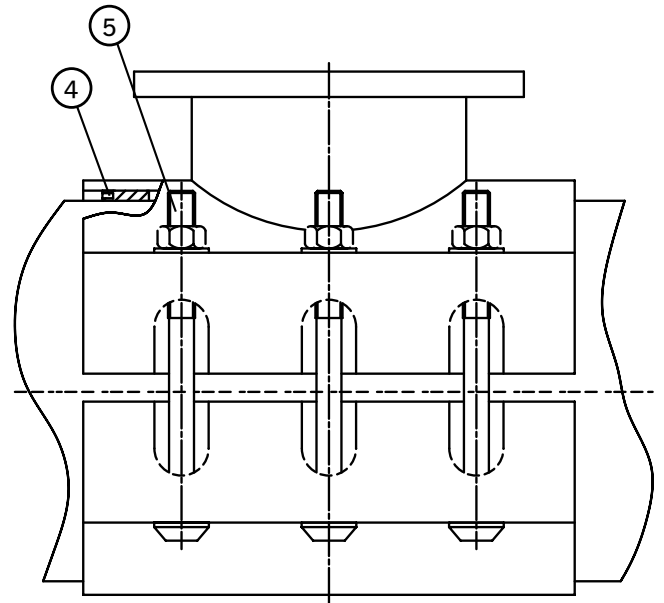
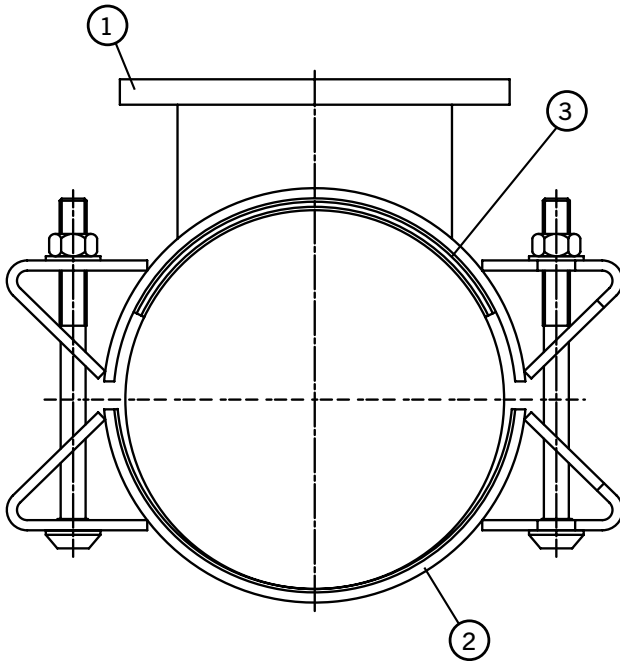


# RingSeal EasiTee

## Specifications



## Materials & Relevant Standards

### 1) Branch Housing

Steel BS EN10025-2 Grade S275JR  
Steel tube to BS EN 10216-1 Grade P265TRI  
or Steel tube to BS EN 10255

### 2) Plain Housing

Steel BS EN10025-2 Grade S275JR

### 3) Gasket

Rubber BS EN681-1 70 Hardness Grade EPDM

### 4) Gasket Retainer

Steel BS EN10025-2 Grade S275JR

### 5) Bolt, Nut & Washer

**Bolt** - Steel BS EN ISO 898-1 Property Class 8.8

**Nut** - Steel BS EN20898-2 Property Class 8.0

**Washer** - Stainless Steel BS EN ISO3506-1  
Grade A2 Property Class 50 (304)

### Finish Specification

1) **Branch Housing** - Rilsan Nylon II

2) **Plain Housing** - Rilsan Nylon II

4) **Gasket Retainer** - Zinc Plate to BS1706:1990 Fe/Zn8 c1 B

5) **Bolt, Nut & Washer** - Sheraplex coated to WIS 4-52-03

RingSeal EasiTee products are manufactured to order. For detailed dimensional data please contact Viking Johnson.

Every effort has been made to ensure that the information contained in this publication is accurate at the time of publishing. Crane Ltd assumes no responsibility or liability for typographical errors or omissions or for any misinterpretation of the information within the publication and reserves the right to change without notice.