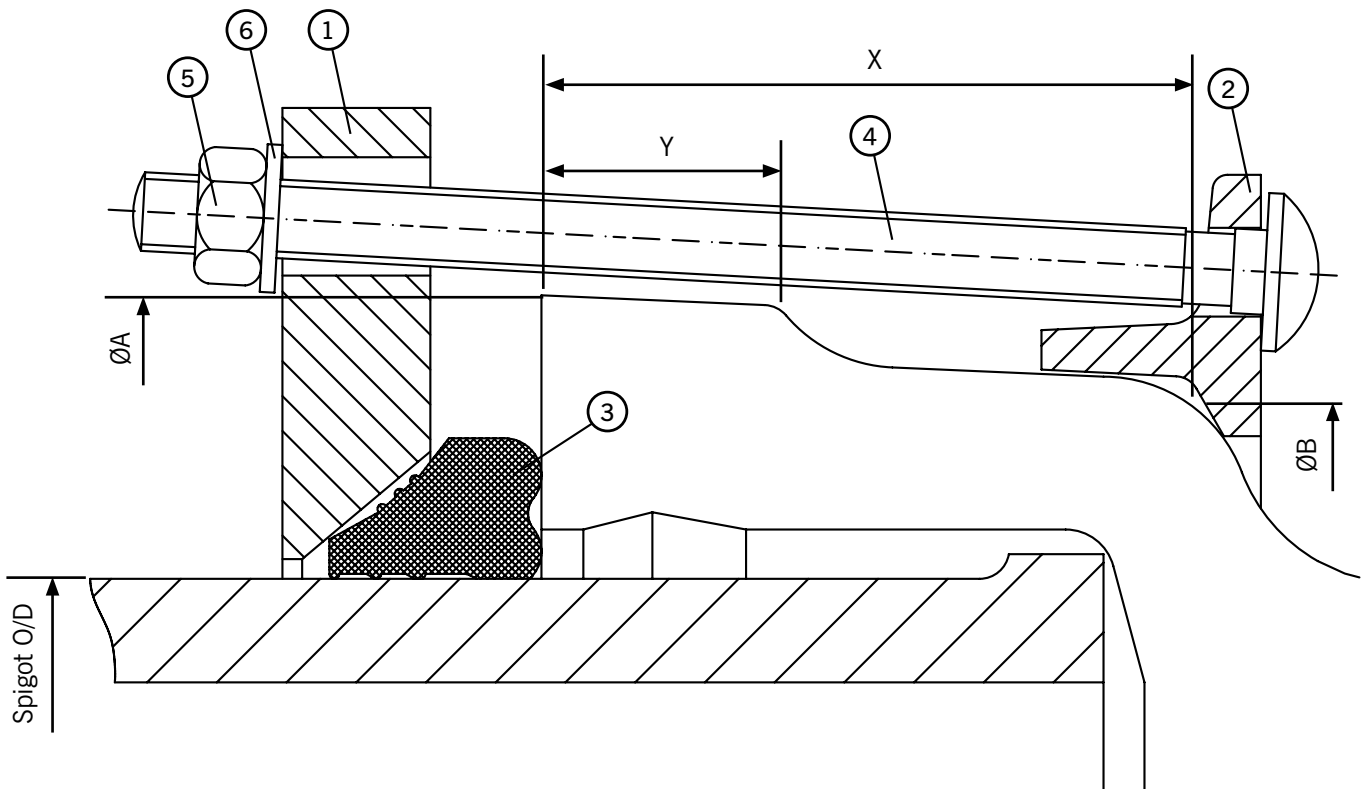


# EasiCollar DN300 to DN1200

## Specifications



## Materials & Relevant Standards

### Materials

- 1) **Compression Flange** - Steel BS EN10025-2 Grade S275JR
- 2) **Anchor End Ring** - Steel BS EN10025-2 Grade S275JR
- 3) **Gasket** - 61 IRHD EPDM Compound Ref. CVE61
- 4) **Bolts** - Steel BS EN ISO 898-1 Property Class 4.8
- 5) **Nuts** - Steel BS4190 Grade 4
- 6) **Washers** - Stainless Steel to BS1449:Part 2 Grade 304 S15

### Finish Specification

- Compression Flange (Part 1) Rilsan Nylon II - Black  
Anchor End Ring (Part 2) Rilsan Nylon II - Black  
Bolts and Nuts - Sheraplex coated to WIS 4-52-03

**Note:** Due to the number of different types of spigot and socket joints, with varying tolerances, when enquiring about EasiCollar a form is available with the dimensions required, please contact the marketing department for more information.

EasiCollar products are manufactured to order. For detailed dimensional data please contact Viking Johnson.

Every effort has been made to ensure that the information contained in this publication is accurate at the time of publishing. Crane Ltd assumes no responsibility or liability for typographical errors or omissions or for any misinterpretation of the information within the publication and reserves the right to change without notice.